

# ALLIANT ENGINEERING, INC.

733 S Marquette Ave #700, Minneapolis, MN 55402

Park Place Blvd & Gamble Dr  
 City: St. Louis Park  
 data by: Alliant Engineering, Inc.  
 TURN MOVEMENT COUNT

File Name : Park Place Blvd & Gamble Dr\_2021  
 Site Code : 1735825  
 Start Date : 10/27/2021  
 Page No : 1

Groups Printed- Cars - Trucks

Start Time	Park Place Blvd Southbound					Gamble Dr Westbound					Park Place Blvd Northbound					Gamble Dr Eastbound					Int. Total
	Left	Thru	Right	Peds	App. Total	Left	Thru	Right	Peds	App. Total	Left	Thru	Right	Peds	App. Total	Left	Thru	Right	Peds	App. Total	
06:00 AM	3	15	12	0	30	2	0	1	0	3	15	7	3	0	25	8	1	5	0	14	72
06:15 AM	2	12	14	0	28	1	1	0	0	2	12	15	5	0	32	11	1	9	0	21	83
06:30 AM	1	21	11	0	33	2	1	0	0	3	17	20	9	0	46	14	0	7	2	23	105
06:45 AM	6	29	19	0	54	1	2	1	0	4	13	21	20	0	54	12	3	13	0	28	140
<b>Total</b>	<b>12</b>	<b>77</b>	<b>56</b>	<b>0</b>	<b>145</b>	<b>6</b>	<b>4</b>	<b>2</b>	<b>0</b>	<b>12</b>	<b>57</b>	<b>63</b>	<b>37</b>	<b>0</b>	<b>157</b>	<b>45</b>	<b>5</b>	<b>34</b>	<b>2</b>	<b>86</b>	<b>400</b>
07:00 AM	6	24	18	0	48	0	2	3	0	5	26	24	22	0	72	9	3	7	0	19	144
07:15 AM	8	28	17	0	53	3	1	1	0	5	37	31	17	0	85	24	4	18	1	47	190
07:30 AM	10	32	27	0	69	7	1	0	0	8	30	33	21	0	84	26	4	13	0	43	204
07:45 AM	28	22	23	1	74	4	1	3	0	8	36	33	46	0	115	30	7	17	0	54	251
<b>Total</b>	<b>52</b>	<b>106</b>	<b>85</b>	<b>1</b>	<b>244</b>	<b>14</b>	<b>5</b>	<b>7</b>	<b>0</b>	<b>26</b>	<b>129</b>	<b>121</b>	<b>106</b>	<b>0</b>	<b>356</b>	<b>89</b>	<b>18</b>	<b>55</b>	<b>1</b>	<b>163</b>	<b>789</b>
08:00 AM	18	43	37	1	99	7	3	6	0	16	40	33	38	1	112	28	8	19	2	57	284
08:15 AM	17	19	24	1	61	9	1	5	2	17	35	39	40	0	114	27	7	17	2	53	245
08:30 AM	11	35	32	0	78	7	2	12	0	21	46	23	38	0	107	23	2	23	0	48	254
08:45 AM	17	31	29	0	77	7	2	3	0	12	43	32	26	0	101	30	7	22	0	59	249
<b>Total</b>	<b>63</b>	<b>128</b>	<b>122</b>	<b>2</b>	<b>315</b>	<b>30</b>	<b>8</b>	<b>26</b>	<b>2</b>	<b>66</b>	<b>164</b>	<b>127</b>	<b>142</b>	<b>1</b>	<b>434</b>	<b>108</b>	<b>24</b>	<b>81</b>	<b>4</b>	<b>217</b>	<b>1032</b>
09:00 AM	11	35	27	1	74	5	5	5	0	15	46	23	22	0	91	25	3	26	1	55	235
09:15 AM	9	33	46	0	88	5	3	10	0	18	50	31	21	1	103	33	5	27	0	65	274
*** BREAK ***																					
<b>Total</b>	<b>20</b>	<b>68</b>	<b>73</b>	<b>1</b>	<b>162</b>	<b>10</b>	<b>8</b>	<b>15</b>	<b>0</b>	<b>33</b>	<b>96</b>	<b>54</b>	<b>43</b>	<b>1</b>	<b>194</b>	<b>58</b>	<b>8</b>	<b>53</b>	<b>1</b>	<b>120</b>	<b>509</b>
*** BREAK ***																					
10:30 AM	16	33	39	3	91	11	4	5	4	24	94	34	22	0	150	34	7	52	0	93	358
10:45 AM	14	37	43	0	94	12	5	19	0	36	89	46	28	1	164	52	6	52	2	112	406
<b>Total</b>	<b>30</b>	<b>70</b>	<b>82</b>	<b>3</b>	<b>185</b>	<b>23</b>	<b>9</b>	<b>24</b>	<b>4</b>	<b>60</b>	<b>183</b>	<b>80</b>	<b>50</b>	<b>1</b>	<b>314</b>	<b>86</b>	<b>13</b>	<b>104</b>	<b>2</b>	<b>205</b>	<b>764</b>
11:00 AM	8	41	48	0	97	11	6	13	0	30	98	48	22	1	169	46	5	66	0	117	413
11:15 AM	15	46	46	2	109	19	10	10	2	41	94	48	37	0	179	58	7	55	0	120	449
11:30 AM	6	45	50	1	102	26	12	14	0	52	100	39	21	1	161	61	8	71	1	141	456
11:45 AM	13	45	48	2	108	19	11	18	1	49	104	38	39	0	181	53	8	67	3	131	469
<b>Total</b>	<b>42</b>	<b>177</b>	<b>192</b>	<b>5</b>	<b>416</b>	<b>75</b>	<b>39</b>	<b>55</b>	<b>3</b>	<b>172</b>	<b>396</b>	<b>173</b>	<b>119</b>	<b>2</b>	<b>690</b>	<b>218</b>	<b>28</b>	<b>259</b>	<b>4</b>	<b>509</b>	<b>1787</b>
12:00 PM	10	40	52	0	102	28	8	19	2	57	96	45	21	0	162	51	8	67	1	127	448
12:15 PM	8	49	56	0	113	27	7	15	0	49	87	46	21	1	155	56	8	64	0	128	445
12:30 PM	15	52	52	1	120	18	13	14	0	45	110	37	37	0	184	59	7	63	1	130	479
12:45 PM	15	55	33	0	103	35	7	19	2	63	102	46	31	2	181	73	5	57	1	136	483
<b>Total</b>	<b>48</b>	<b>196</b>	<b>193</b>	<b>1</b>	<b>438</b>	<b>108</b>	<b>35</b>	<b>67</b>	<b>4</b>	<b>214</b>	<b>395</b>	<b>174</b>	<b>110</b>	<b>3</b>	<b>682</b>	<b>239</b>	<b>28</b>	<b>251</b>	<b>3</b>	<b>521</b>	<b>1855</b>
*** BREAK ***																					
02:30 PM	9	31	40	0	80	23	8	23	0	54	80	35	32	0	147	53	6	70	1	130	411
02:45 PM	6	53	36	0	95	16	4	11	0	31	82	44	20	0	146	40	8	64	0	112	384
<b>Total</b>	<b>15</b>	<b>84</b>	<b>76</b>	<b>0</b>	<b>175</b>	<b>39</b>	<b>12</b>	<b>34</b>	<b>0</b>	<b>85</b>	<b>162</b>	<b>79</b>	<b>52</b>	<b>0</b>	<b>293</b>	<b>93</b>	<b>14</b>	<b>134</b>	<b>1</b>	<b>242</b>	<b>795</b>
03:00 PM	13	46	44	0	103	21	7	27	0	55	83	45	30	0	158	71	8	57	0	136	452
03:15 PM	10	47	48	0	105	33	4	18	1	56	73	39	35	2	149	57	9	49	0	115	425
03:30 PM	11	49	58	1	119	25	5	17	1	48	71	47	33	0	151	55	6	47	1	109	427
03:45 PM	14	69	41	0	124	24	7	11	1	43	82	48	39	1	170	63	5	46	0	114	451
<b>Total</b>	<b>48</b>	<b>211</b>	<b>191</b>	<b>1</b>	<b>451</b>	<b>103</b>	<b>23</b>	<b>73</b>	<b>3</b>	<b>202</b>	<b>309</b>	<b>179</b>	<b>137</b>	<b>3</b>	<b>628</b>	<b>246</b>	<b>28</b>	<b>199</b>	<b>1</b>	<b>474</b>	<b>1755</b>
04:00 PM	10	61	49	1	121	19	8	27	0	54	87	46	42	0	175	57	14	54	0	125	475
04:15 PM	17	48	27	2	94	34	6	28	0	68	88	55	42	2	187	48	8	63	1	120	469
04:30 PM	11	71	46	0	128	50	6	30	3	89	76	54	43	1	174	35	4	47	0	86	477

# ALLIANT ENGINEERING, INC.

733 S Marquette Ave #700, Minneapolis, MN 55402

Park Place Blvd & Gamble Dr  
 City: St. Louis Park  
 data by: Alliant Engineering, Inc.  
 TURN MOVEMENT COUNT

File Name : Park Place Blvd & Gamble Dr\_2021  
 Site Code : 1735825  
 Start Date : 10/27/2021  
 Page No : 2

Groups Printed- Cars - Trucks

Start Time	Park Place Blvd Southbound					Gamble Dr Westbound					Park Place Blvd Northbound					Gamble Dr Eastbound					Int. Total
	Left	Thru	Right	Peds	App. Total	Left	Thru	Right	Peds	App. Total	Left	Thru	Right	Peds	App. Total	Left	Thru	Right	Peds	App. Total	
04:45 PM	16	111	40	2	169	51	8	30	0	89	75	60	45	0	180	63	9	48	1	121	559
Total	54	291	162	5	512	154	28	115	3	300	326	215	172	3	716	203	35	212	2	452	1980
05:00 PM	15	110	47	2	174	44	6	38	0	88	77	62	32	1	172	47	2	60	0	109	543
05:15 PM	16	100	44	2	162	29	7	34	1	71	87	66	38	2	193	59	6	49	0	114	540
05:30 PM	9	84	41	0	134	29	13	25	1	68	91	69	53	0	213	51	15	56	1	123	538
05:45 PM	6	46	32	4	88	50	3	26	0	79	76	55	40	2	173	60	5	54	2	121	461
Total	46	340	164	8	558	152	29	123	2	306	331	252	163	5	751	217	28	219	3	467	2082
06:00 PM	9	44	41	1	95	35	8	26	1	70	81	55	40	1	177	51	7	47	0	105	447
06:15 PM	8	55	44	0	107	30	7	24	0	61	77	62	46	1	186	45	4	53	1	103	457
Grand Total	447	1847	1481	28	3803	779	215	591	22	1607	2706	1634	1217	21	5578	1698	240	1701	25	3664	14652
Apprch %	11.8	48.6	38.9	0.7		48.5	13.4	36.8	1.4		48.5	29.3	21.8	0.4		46.3	6.6	46.4	0.7		
Total %	3.1	12.6	10.1	0.2	26	5.3	1.5	4	0.2	11	18.5	11.2	8.3	0.1	38.1	11.6	1.6	11.6	0.2	25	
Cars	439	1790	1461	28	3718	765	214	575	21	1575	2685	1580	1202	18	5485	1662	236	1684	20	3602	14380
% Cars	98.2	96.9	98.6	100	97.8	98.2	99.5	97.3	95.5	98	99.2	96.7	98.8	85.7	98.3	97.9	98.3	99	80	98.3	98.1
Trucks	8	57	20	0	85	14	1	16	1	32	21	54	15	3	93	36	4	17	5	62	272
% Trucks	1.8	3.1	1.4	0	2.2	1.8	0.5	2.7	4.5	2	0.8	3.3	1.2	14.3	1.7	2.1	1.7	1	20	1.7	1.9

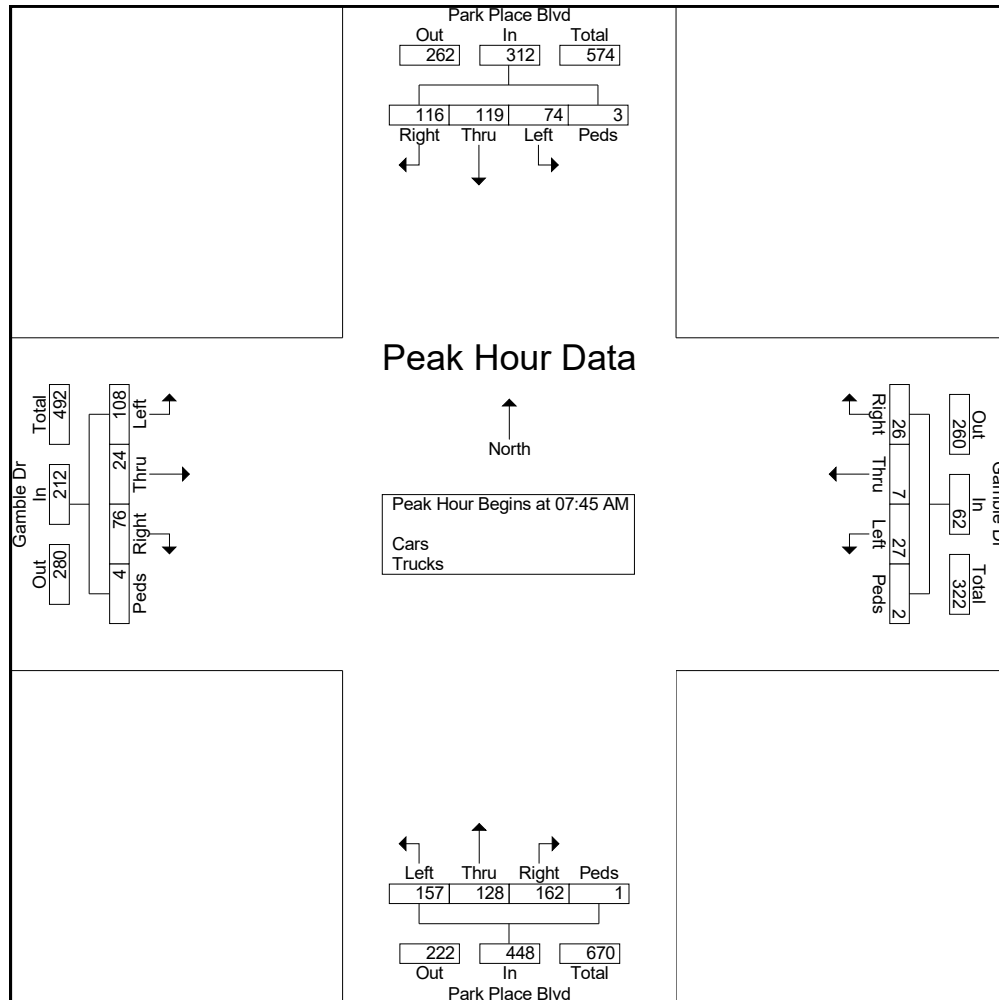
# ALLIANT ENGINEERING, INC.

733 S Marquette Ave #700, Minneapolis, MN 55402

Park Place Blvd & Gamble Dr  
 City: St. Louis Park  
 data by: Alliant Engineering, Inc.  
 TURN MOVEMENT COUNT

File Name : Park Place Blvd & Gamble Dr\_2021  
 Site Code : 1735825  
 Start Date : 10/27/2021  
 Page No : 3

Start Time	Park Place Blvd Southbound					Gamble Dr Westbound					Park Place Blvd Northbound					Gamble Dr Eastbound					Int. Total
	Left	Thru	Right	Peds	App. Total	Left	Thru	Right	Peds	App. Total	Left	Thru	Right	Peds	App. Total	Left	Thru	Right	Peds	App. Total	
Peak Hour Analysis From 06:00 AM to 09:45 AM - Peak 1 of 1																					
Peak Hour for Entire Intersection Begins at 07:45 AM																					
07:45 AM	28	22	23	1	74	4	1	3	0	8	36	33	46	0	115	30	7	17	0	54	251
08:00 AM	18	43	37	1	99	7	3	6	0	16	40	33	38	1	112	28	8	19	2	57	284
08:15 AM	17	19	24	1	61	9	1	5	2	17	35	39	40	0	114	27	7	17	2	53	245
08:30 AM	11	35	32	0	78	7	2	12	0	21	46	23	38	0	107	23	2	23	0	48	254
Total Volume	74	119	116	3	312	27	7	26	2	62	157	128	162	1	448	108	24	76	4	212	1034
% App. Total	23.7	38.1	37.2	1		43.5	11.3	41.9	3.2		35	28.6	36.2	0.2		50.9	11.3	35.8	1.9		
PHF	.661	.692	.784	.750	.788	.750	.583	.542	.250	.738	.853	.821	.880	.250	.974	.900	.750	.826	.500	.930	.910



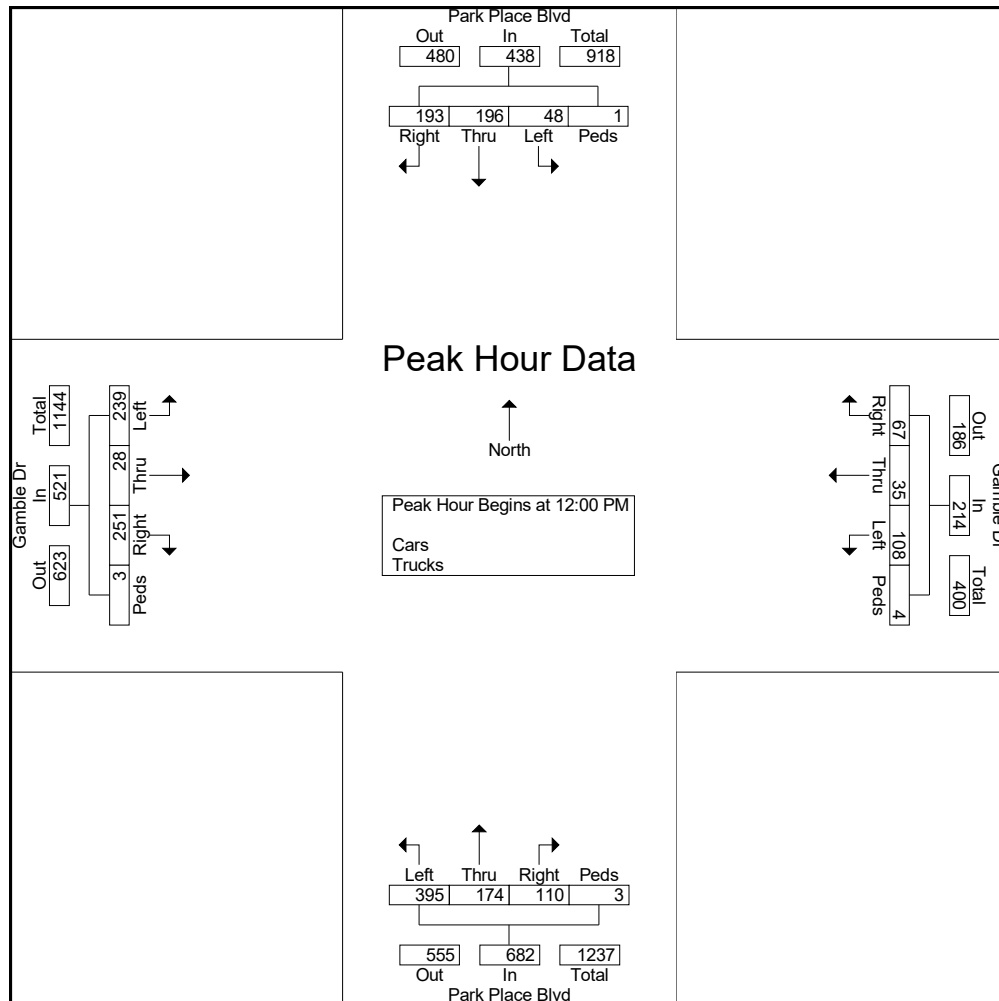
# ALLIANT ENGINEERING, INC.

733 S Marquette Ave #700, Minneapolis, MN 55402

Park Place Blvd & Gamble Dr  
 City: St. Louis Park  
 data by: Alliant Engineering, Inc.  
 TURN MOVEMENT COUNT

File Name : Park Place Blvd & Gamble Dr\_2021  
 Site Code : 1735825  
 Start Date : 10/27/2021  
 Page No : 4

Start Time	Park Place Blvd Southbound					Gamble Dr Westbound					Park Place Blvd Northbound					Gamble Dr Eastbound					Int. Total
	Left	Thru	Right	Peds	App. Total	Left	Thru	Right	Peds	App. Total	Left	Thru	Right	Peds	App. Total	Left	Thru	Right	Peds	App. Total	
Peak Hour Analysis From 10:00 AM to 01:45 PM - Peak 1 of 1																					
Peak Hour for Entire Intersection Begins at 12:00 PM																					
12:00 PM	10	40	52	0	102	28	8	19	2	57	96	45	21	0	162	51	8	67	1	127	448
12:15 PM	8	49	56	0	113	27	7	15	0	49	87	46	21	1	155	56	8	64	0	128	445
12:30 PM	15	52	52	1	120	18	13	14	0	45	110	37	37	0	184	59	7	63	1	130	479
12:45 PM	15	55	33	0	103	35	7	19	2	63	102	46	31	2	181	73	5	57	1	136	483
Total Volume	48	196	193	1	438	108	35	67	4	214	395	174	110	3	682	239	28	251	3	521	1855
% App. Total	11	44.7	44.1	0.2		50.5	16.4	31.3	1.9		57.9	25.5	16.1	0.4		45.9	5.4	48.2	0.6		
PHF	.800	.891	.862	.250	.913	.771	.673	.882	.500	.849	.898	.946	.743	.375	.927	.818	.875	.937	.750	.958	.960



# ALLIANT ENGINEERING, INC.

733 S Marquette Ave #700, Minneapolis, MN 55402

Park Place Blvd & Gamble Dr  
 City: St. Louis Park  
 data by: Alliant Engineering, Inc.  
 TURN MOVEMENT COUNT

File Name : Park Place Blvd & Gamble Dr\_2021  
 Site Code : 1735825  
 Start Date : 10/27/2021  
 Page No : 5

Start Time	Park Place Blvd Southbound					Gamble Dr Westbound					Park Place Blvd Northbound					Gamble Dr Eastbound					Int. Total
	Left	Thru	Right	Peds	App. Total	Left	Thru	Right	Peds	App. Total	Left	Thru	Right	Peds	App. Total	Left	Thru	Right	Peds	App. Total	
Peak Hour Analysis From 02:00 PM to 06:15 PM - Peak 1 of 1																					
Peak Hour for Entire Intersection Begins at 04:45 PM																					
04:45 PM	16	111	40	2	169	51	8	30	0	89	75	60	45	0	180	63	9	48	1	121	559
05:00 PM	15	110	47	2	174	44	6	38	0	88	77	62	32	1	172	47	2	60	0	109	543
05:15 PM	16	100	44	2	162	29	7	34	1	71	87	66	38	2	193	59	6	49	0	114	540
05:30 PM	9	84	41	0	134	29	13	25	1	68	91	69	53	0	213	51	15	56	1	123	538
Total Volume	56	405	172	6	639	153	34	127	2	316	330	257	168	3	758	220	32	213	2	467	2180
% App. Total	8.8	63.4	26.9	0.9		48.4	10.8	40.2	0.6		43.5	33.9	22.2	0.4		47.1	6.9	45.6	0.4		
PHF	.875	.912	.915	.750	.918	.750	.654	.836	.500	.888	.907	.931	.792	.375	.890	.873	.533	.888	.500	.949	.975

