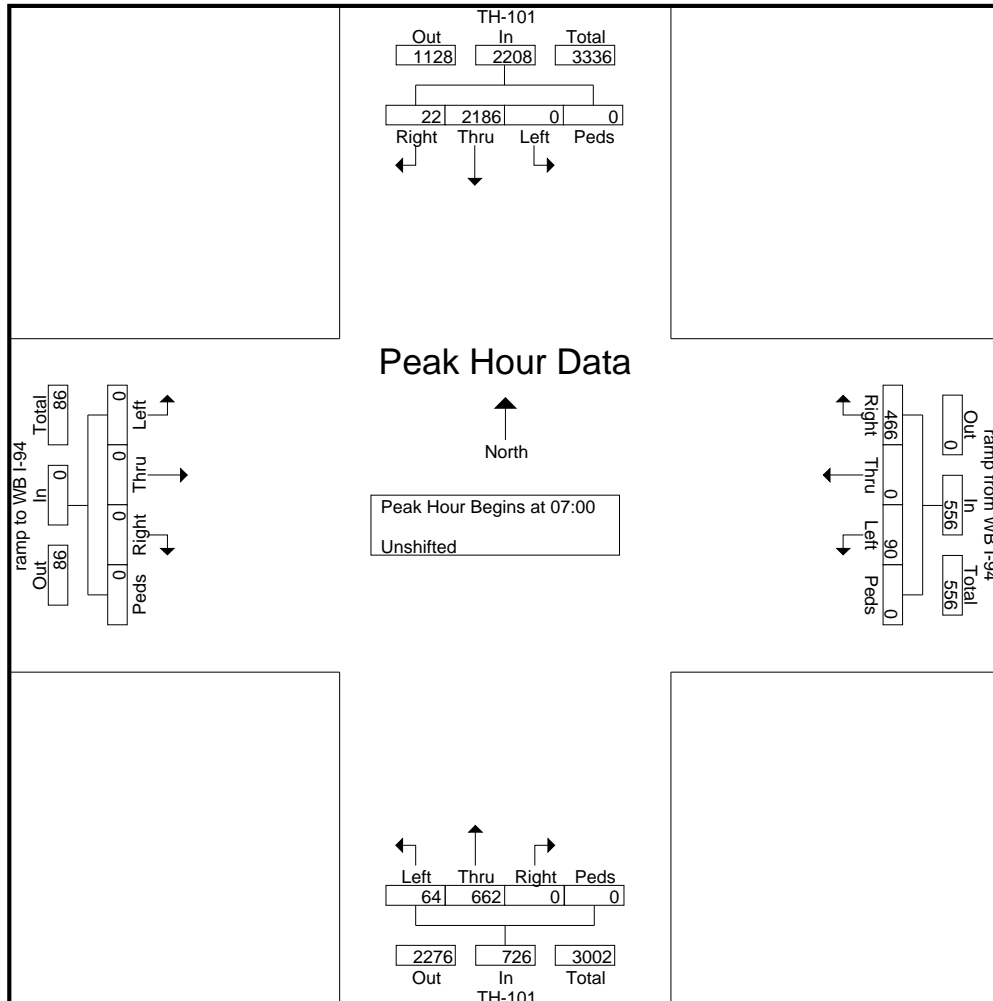


Alliant Engineering Inc Minneapolis, MN 55415

TH-101 at I-94, North Ramps
Ref.Pt.: 039.717 ROGERS
data by Alliant Engineering Inc
TURN MOVEMENT COUNT

File Name : TH-101 at I-94 north ramps 2009
Site Code : 0000027
Start Date : 1/21/2009
Page No : 3

Start Time	TH-101 Southbound					ramp from WB I-94 Westbound					TH-101 Northbound					ramp to WB I-94 Eastbound					Int. Total
	Left	Thru	Right	Peds	App. Total	Left	Thru	Right	Peds	App. Total	Left	Thru	Right	Peds	App. Total	Left	Thru	Right	Peds	App. Total	
Peak Hour Analysis From 06:15 to 08:45 - Peak 1 of 1																					
Peak Hour for Entire Intersection Begins at 07:00																					
07:00	0	561	4	0	565	16	0	86	0	102	15	107	0	0	122	0	0	0	0	0	789
07:15	0	546	5	0	551	16	0	107	0	123	18	194	0	0	212	0	0	0	0	0	886
07:30	0	572	6	0	578	15	0	133	0	148	17	190	0	0	207	0	0	0	0	0	933
07:45	0	507	7	0	514	43	0	140	0	183	14	171	0	0	185	0	0	0	0	0	882
Total Volume	0	2186	22	0	2208	90	0	466	0	556	64	662	0	0	726	0	0	0	0	0	3490
% App. Total	0	.99	.1	0		16.2	0	83.8	0		8.8	91.2	0	0		0	0	0	0		
PHF	.000	.955	.786	.000	.955	.523	.000	.832	.000	.760	.889	.853	.000	.000	.856	.000	.000	.000	.000	.000	.935



Alliant Engineering Inc Minneapolis, MN 55415

TH-101 at I-94, North Ramps
Ref.Pt.: 039.717 ROGERS
data by Alliant Engineering Inc
TURN MOVEMENT COUNT

File Name : TH-101 at I-94 north ramps 2009
Site Code : 0000027
Start Date : 1/21/2009
Page No : 4

Start Time	TH-101 Southbound					ramp from WB I-94 Westbound					TH-101 Northbound					ramp to WB I-94 Eastbound					Int. Total
	Left	Thru	Right	Peds	App. Total	Left	Thru	Right	Peds	App. Total	Left	Thru	Right	Peds	App. Total	Left	Thru	Right	Peds	App. Total	
Peak Hour Analysis From 15:00 to 17:45 - Peak 1 of 1																					
Peak Hour for Entire Intersection Begins at 16:30																					
16:30	0	346	27	0	373	51	0	385	0	436	54	307	0	0	361	0	0	0	0	0	1170
16:45	0	402	23	0	425	53	0	380	0	433	35	333	0	0	368	0	0	0	0	0	1226
17:00	0	357	27	0	384	34	0	406	0	440	69	328	0	0	397	0	0	0	0	0	1221
17:15	0	390	32	0	422	39	0	370	0	409	68	282	0	0	350	0	0	0	0	0	1181
Total Volume	0	1495	109	0	1604	177	0	1541	0	1718	226	1250	0	0	1476	0	0	0	0	0	4798
% App. Total	0	93.2	6.8	0		10.3	0	89.7	0		15.3	84.7	0	0		0	0	0	0		
PHF	.000	.930	.852	.000	.944	.835	.000	.949	.000	.976	.819	.938	.000	.000	.929	.000	.000	.000	.000	.000	.978

