

MN Dept of Transportation

TRAFFIC DATA COLLECTION - Metro

TH-120 / Century Ave at 7th Street N
 Ref.Pt.: 002.907
 video AL
 TURN MOVEMENT COUNT

File Name : TH-120 at 7th St N 2016
 Site Code :
 Start Date : 5/17/2016
 Page No : 1

Groups Printed- Cars +

Start Time	TH-120 / Century Ave Southbound				7th Street Westbound				TH-120 / Century Ave Northbound				7th Street Eastbound				Int. Total
	Left	Thru	Right	Peds	Left	Thru	Right	Peds	Left	Thru	Right	Peds	Left	Thru	Right	Peds	
06:00	0	56	0	0	0	0	0	0	0	33	0	0	0	0	1	0	90
06:15	0	75	0	0	0	0	0	0	0	33	0	0	1	0	2	0	111
06:30	0	116	1	0	0	0	0	0	1	58	0	0	0	0	1	0	177
06:45	0	129	0	0	0	0	0	0	0	56	0	0	3	0	0	0	188
Total	0	376	1	0	0	0	0	0	1	180	0	0	4	0	4	0	566
07:00	0	145	1	0	0	0	0	0	1	52	0	0	1	0	1	0	201
07:15	0	162	1	0	1	0	0	0	0	100	0	0	2	0	1	0	267
07:30	0	165	1	0	0	0	0	0	0	71	0	0	1	0	0	0	238
07:45	0	201	0	0	0	0	0	0	0	102	0	0	2	0	1	0	306
Total	0	673	3	0	1	0	0	0	1	325	0	0	6	0	3	0	1012
08:00	0	162	1	0	0	0	1	0	3	110	1	0	2	0	1	0	281
08:15	0	110	1	0	0	0	0	0	1	78	0	0	1	0	0	0	191
08:30	0	163	5	0	0	0	0	0	2	104	0	0	2	0	1	0	277
08:45	0	118	2	0	0	0	0	0	3	78	0	0	3	0	1	0	205
Total	0	553	9	0	0	0	1	0	9	370	1	0	8	0	3	0	954
09:00	0	100	2	0	0	0	0	0	0	83	1	0	0	0	0	0	186
09:15	0	89	1	0	0	0	1	0	1	85	1	0	1	1	2	0	182
09:30	0	85	2	0	0	0	0	0	0	88	0	0	0	0	1	0	176
09:45	1	93	0	0	0	0	0	0	4	75	0	0	0	0	0	0	173
Total	1	367	5	0	0	0	1	0	5	331	2	0	1	1	3	0	717
10:00	0	92	1	0	0	0	0	0	2	91	1	0	0	0	3	0	190
10:15	0	109	0	0	0	0	1	0	2	77	1	0	0	0	0	0	190
10:30	0	61	5	0	0	0	0	0	3	79	0	0	0	0	3	0	151
10:45	0	86	0	0	0	0	0	0	2	72	2	0	4	0	2	0	168
Total	0	348	6	0	0	0	1	0	9	319	4	0	4	0	8	0	699
11:00	0	78	4	0	0	0	0	0	3	98	1	0	2	0	5	0	191
11:15	0	105	2	0	0	0	0	0	5	111	0	0	0	0	2	0	225
11:30	0	85	0	0	1	0	0	0	4	92	1	0	2	0	2	0	187
11:45	2	74	2	0	0	0	0	0	3	82	3	0	2	0	0	0	168
Total	2	342	8	0	1	0	0	0	15	383	5	0	6	0	9	0	771
12:00	1	92	3	0	1	0	1	0	4	69	4	0	0	0	5	0	180
12:15	0	108	0	0	0	0	0	0	2	80	1	0	1	0	1	0	193
12:30	2	96	0	0	1	0	2	0	4	108	1	0	2	0	3	0	219
12:45	0	91	0	0	3	0	0	0	2	102	0	0	1	0	4	0	203
Total	3	387	3	0	5	0	3	0	12	359	6	0	4	0	13	0	795
13:00	1	89	3	0	1	0	1	0	3	100	2	0	1	0	4	0	205
13:15	1	115	2	0	0	0	1	0	5	102	0	0	1	0	7	0	234
13:30	1	109	0	0	1	0	1	0	2	114	1	0	2	0	0	0	231
13:45	0	104	9	0	2	0	1	0	2	98	1	0	1	0	1	0	219
Total	3	417	14	0	4	0	4	0	12	414	4	0	5	0	12	0	889
14:00	0	127	6	0	0	0	2	0	5	110	2	0	0	0	2	0	254
14:15	0	133	1	0	0	0	1	0	0	118	0	0	2	0	4	0	259
14:30	0	132	2	0	1	0	1	0	3	132	1	0	2	0	2	0	276
14:45	5	120	1	0	0	0	2	0	2	147	0	0	0	0	1	0	278
Total	5	512	10	0	1	0	6	0	10	507	3	0	4	0	9	0	1067
15:00	2	128	2	0	0	0	0	0	1	170	5	0	1	0	2	0	311
15:15	0	145	3	0	0	0	0	0	4	186	0	0	4	0	1	0	343
15:30	2	195	3	0	3	0	0	0	4	160	2	0	0	0	2	0	371
15:45	2	135	4	0	1	0	0	0	2	182	1	0	0	0	1	0	328
Total	6	603	12	0	4	0	0	0	11	698	8	0	5	0	6	0	1353

MN Dept of Transportation

TRAFFIC DATA COLLECTION - Metro

TH-120 / Century Ave at 7th Street N
 Ref.Pt.: 002.907
 video AL
 TURN MOVEMENT COUNT

File Name : TH-120 at 7th St N 2016
 Site Code :
 Start Date : 5/17/2016
 Page No : 2

Groups Printed- Cars +

Start Time	TH-120 / Century Ave Southbound				7th Street Westbound				TH-120 / Century Ave Northbound				7th Street Eastbound				Int. Total
	Left	Thru	Right	Peds	Left	Thru	Right	Peds	Left	Thru	Right	Peds	Left	Thru	Right	Peds	
16:00	3	151	4	0	0	0	3	0	6	178	2	0	2	0	3	0	352
16:15	2	151	4	0	0	0	1	0	2	203	1	0	3	0	6	0	373
16:30	5	128	2	0	0	0	2	0	0	223	2	0	2	1	3	0	368
16:45	1	182	4	0	1	0	1	0	2	211	4	0	3	0	3	0	412
Total	11	612	14	0	1	0	7	0	10	815	9	0	10	1	15	0	1505
17:00	3	159	2	0	0	0	0	0	2	211	0	0	2	0	2	0	381
17:15	2	119	4	0	0	0	0	0	0	168	2	0	1	0	1	0	297
17:30	3	157	2	0	1	0	0	0	5	166	2	0	1	0	0	0	337
17:45	2	151	2	0	1	0	2	0	2	145	0	0	0	0	0	0	305
Total	10	586	10	0	2	0	2	0	9	690	4	0	4	0	3	0	1320
Grand Total	41	5776	95	0	19	0	25	0	104	5391	46	0	61	2	88	0	11648
Apprch %	0.7	97.7	1.6	0	43.2	0	56.8	0	1.9	97.3	0.8	0	40.4	1.3	58.3	0	
Total %	0.4	49.6	0.8	0	0.2	0	0.2	0	0.9	46.3	0.4	0	0.5	0	0.8	0	

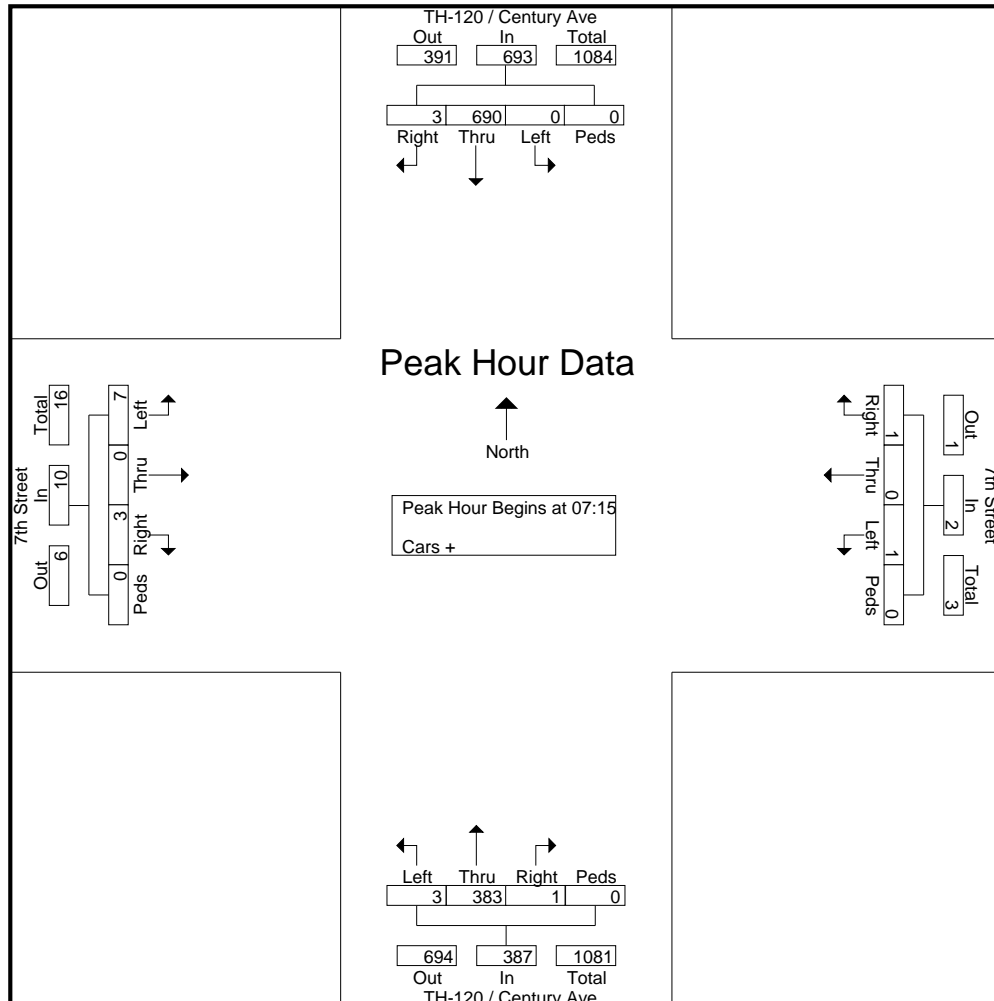
MN Dept of Transportation

TRAFFIC DATA COLLECTION - Metro

TH-120 / Century Ave at 7th Street N
 Ref.Pt.: 002.907
 video AL
 TURN MOVEMENT COUNT

File Name : TH-120 at 7th St N 2016
 Site Code :
 Start Date : 5/17/2016
 Page No : 3

Start Time	TH-120 / Century Ave Southbound					7th Street Westbound					TH-120 / Century Ave Northbound					7th Street Eastbound					Int. Total
	Left	Thru	Right	Peds	App. Total	Left	Thru	Right	Peds	App. Total	Left	Thru	Right	Peds	App. Total	Left	Thru	Right	Peds	App. Total	
Peak Hour Analysis From 06:00 to 11:45 - Peak 1 of 1																					
Peak Hour for Entire Intersection Begins at 07:15																					
07:15	0	162	1	0	163	1	0	0	0	1	0	100	0	0	100	2	0	1	0	3	267
07:30	0	165	1	0	166	0	0	0	0	0	0	71	0	0	71	1	0	0	0	1	238
07:45	0	201	0	0	201	0	0	0	0	0	0	102	0	0	102	2	0	1	0	3	306
08:00	0	162	1	0	163	0	0	1	0	1	3	110	1	0	114	2	0	1	0	3	281
Total Volume	0	690	3	0	693	1	0	1	0	2	3	383	1	0	387	7	0	3	0	10	1092
% App. Total	0	99.6	0.4	0		50	0	50	0		0.8	99	0.3	0		70	0	30	0		
PHF	.000	.858	.750	.000	.862	.250	.000	.250	.000	.500	.250	.870	.250	.000	.849	.875	.000	.750	.000	.833	.892



MN Dept of Transportation

TRAFFIC DATA COLLECTION - Metro

TH-120 / Century Ave at 7th Street N
 Ref.Pt.: 002.907
 video AL
 TURN MOVEMENT COUNT

File Name : TH-120 at 7th St N 2016
 Site Code :
 Start Date : 5/17/2016
 Page No : 4

Start Time	TH-120 / Century Ave Southbound					7th Street Westbound					TH-120 / Century Ave Northbound					7th Street Eastbound					Int. Total
	Left	Thru	Right	Peds	App. Total	Left	Thru	Right	Peds	App. Total	Left	Thru	Right	Peds	App. Total	Left	Thru	Right	Peds	App. Total	
Peak Hour Analysis From 12:00 to 17:45 - Peak 1 of 1																					
Peak Hour for Entire Intersection Begins at 16:15																					
16:15	2	151	4	0	157	0	0	1	0	1	2	203	1	0	206	3	0	6	0	9	373
16:30	5	128	2	0	135	0	0	2	0	2	0	223	2	0	225	2	1	3	0	6	368
16:45	1	182	4	0	187	1	0	1	0	2	2	211	4	0	217	3	0	3	0	6	412
17:00	3	159	2	0	164	0	0	0	0	0	2	211	0	0	213	2	0	2	0	4	381
Total Volume	11	620	12	0	643	1	0	4	0	5	6	848	7	0	861	10	1	14	0	25	1534
% App. Total	1.7	96.4	1.9	0		20	0	80	0		0.7	98.5	0.8	0		40	4	56	0		
PHF	.550	.852	.750	.000	.860	.250	.000	.500	.000	.625	.750	.951	.438	.000	.957	.833	.250	.583	.000	.694	.931

