

SEH CONSULTING
Traffic Data Collection
TURN MOVEMENT COUNT

TH-120 / Century Ave at 7th Ave E
Ref.Pt.: 006.883 N St Paul
data by SEH
TURN MOVEMENT COUNT

File Name : TH-120 at 7th Ave E north st paul 2008
Site Code : 00000003
Start Date : 12/3/2008
Page No : 1

Groups Printed- Unshifted - Heavy Veh

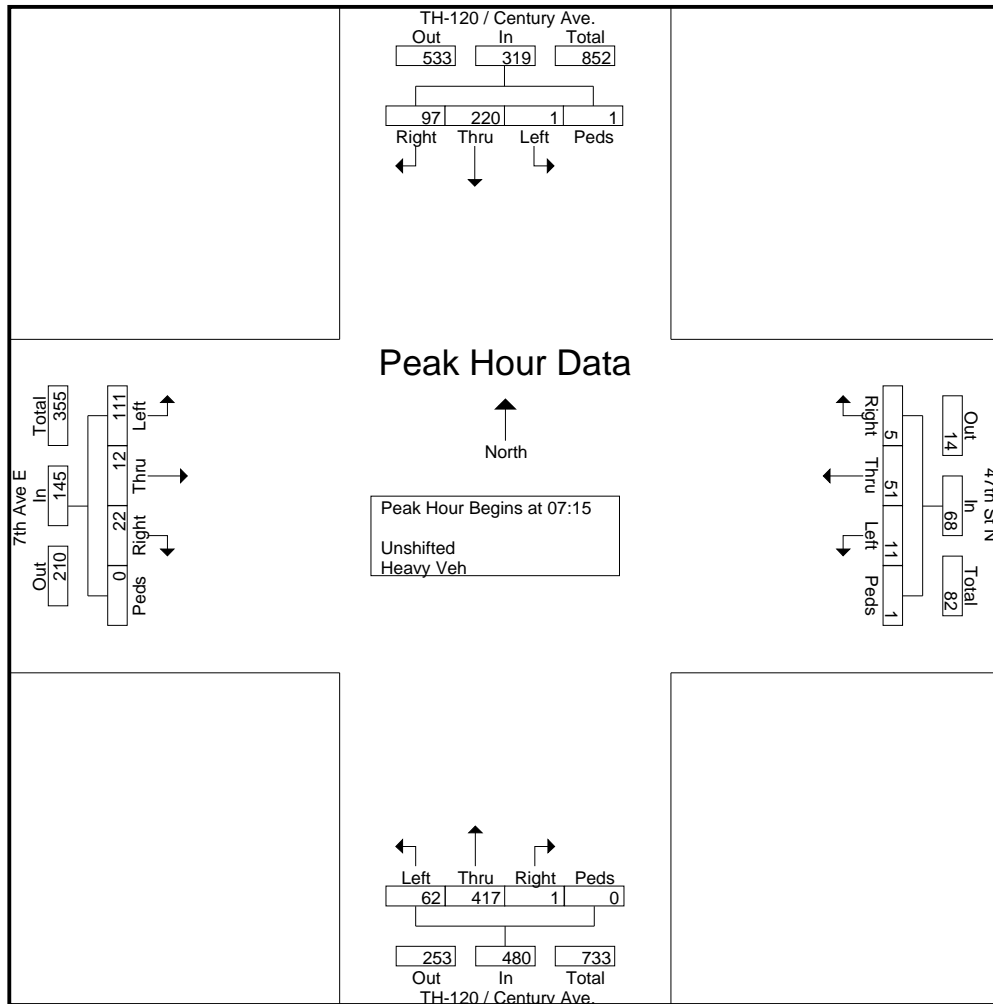
Start Time	TH-120 / Century Ave. Southbound				47th St N Westbound				TH-120 / Century Ave. Northbound				7th Ave E Eastbound				Int. Total
	Left	Thru	Right	Peds	Left	Thru	Right	Peds	Left	Thru	Right	Peds	Left	Thru	Right	Peds	
06:00	0	24	16	0	0	2	1	0	6	50	0	0	8	1	2	0	110
06:15	0	23	11	0	0	7	0	0	14	67	0	0	15	0	3	0	140
06:30	0	40	22	0	2	6	0	0	13	89	0	0	22	1	7	0	202
06:45	0	56	16	0	1	9	2	0	10	89	0	0	29	1	17	0	230
Total	0	143	65	0	3	24	3	0	43	295	0	0	74	3	29	0	682
07:00	1	63	8	0	3	9	0	0	8	98	2	0	21	1	8	0	222
07:15	1	58	21	0	4	16	1	0	8	113	0	0	28	1	7	0	258
07:30	0	69	23	0	1	6	2	1	16	107	0	0	25	3	3	0	256
07:45	0	50	22	0	3	17	1	0	18	104	1	0	26	7	6	0	255
Total	2	240	74	0	11	48	4	1	50	422	3	0	100	12	24	0	991
08:00	0	43	31	1	3	12	1	0	20	93	0	0	32	1	6	0	243
08:15	0	47	40	0	0	6	2	0	14	91	1	0	25	5	6	0	237
08:30	1	56	31	0	2	5	1	0	11	89	0	0	36	0	12	0	244
08:45	0	45	37	0	1	4	0	0	11	102	1	0	19	2	8	0	230
Total	1	191	139	1	6	27	4	0	56	375	2	0	112	8	32	0	954
*** BREAK ***																	
11:00	0	63	33	0	0	5	0	0	10	67	0	0	37	1	8	0	224
11:15	0	55	32	0	2	3	2	0	9	66	1	0	28	3	12	0	213
11:30	0	71	25	0	3	4	0	0	12	68	0	0	36	4	8	0	231
11:45	2	69	23	0	0	3	1	0	12	79	0	0	37	1	11	0	238
Total	2	258	113	0	5	15	3	0	43	280	1	0	138	9	39	0	906
12:00	1	74	36	0	1	4	0	0	7	63	0	0	27	4	17	0	234
12:15	2	71	45	0	2	3	0	0	8	75	1	0	32	4	12	0	255
12:30	0	69	30	1	0	10	0	0	7	65	1	0	37	3	14	0	237
12:45	0	79	40	0	1	2	1	0	17	81	2	0	34	4	10	0	271
Total	3	293	151	1	4	19	1	0	39	284	4	0	130	15	53	0	997
*** BREAK ***																	
15:00	1	101	25	1	4	3	0	0	9	97	0	0	39	12	19	0	311
15:15	0	111	46	1	5	8	1	0	11	82	0	0	38	10	13	0	326
15:30	2	118	40	4	0	8	0	0	10	98	2	0	43	4	16	0	345
15:45	1	121	43	0	0	7	0	0	9	85	1	2	45	7	17	0	338
Total	4	451	154	6	9	26	1	0	39	362	3	2	165	33	65	0	1320
16:00	1	125	45	0	3	5	0	0	17	66	1	0	47	10	14	0	334
16:15	1	102	37	0	1	4	0	0	15	76	0	0	48	10	15	0	309
16:30	3	101	49	0	1	9	1	0	26	102	4	0	45	14	16	0	371
16:45	3	133	33	0	1	7	0	0	29	90	0	0	54	14	26	0	390
Total	8	461	164	0	6	25	1	0	87	334	5	0	194	48	71	0	1404
17:00	1	107	39	0	2	6	1	0	14	97	0	0	61	15	27	0	370
17:15	3	124	34	0	1	7	2	0	11	97	0	0	61	12	12	0	364
17:30	1	120	32	0	1	8	1	0	12	99	0	0	40	4	10	0	328
17:45	0	100	26	0	1	6	0	0	8	99	1	0	38	6	6	0	291
Total	5	451	131	0	5	27	4	0	45	392	1	0	200	37	55	0	1353
Grand Total	25	2488	991	8	49	211	21	1	402	2744	19	2	1113	165	368	0	8607
Apprch %	0.7	70.8	28.2	0.2	17.4	74.8	7.4	0.4	12.7	86.6	0.6	0.1	67.6	10	22.4	0	
Total %	0.3	28.9	11.5	0.1	0.6	2.5	0.2	0	4.7	31.9	0.2	0	12.9	1.9	4.3	0	
Unshifted	25	2455	979	8	44	205	21	1	377	2712	18	2	1096	165	350	0	8458
% Unshifted	100	98.7	98.8	100	89.8	97.2	100	100	93.8	98.8	94.7	100	98.5	100	95.1	0	98.3
Heavy Veh	0	33	12	0	5	6	0	0	25	32	1	0	17	0	18	0	149
% Heavy Veh	0	1.3	1.2	0	10.2	2.8	0	0	6.2	1.2	5.3	0	1.5	0	4.9	0	1.7

SEH CONSULTING
Traffic Data Collection
TURN MOVEMENT COUNT

TH-120 / Century Ave at 7th Ave E
Ref.Pt.: 006.883 N St Paul
data by SEH
TURN MOVEMENT COUNT

File Name : TH-120 at 7th Ave E north st paul 2008
Site Code : 00000003
Start Date : 12/3/2008
Page No : 2

Start Time	TH-120 / Century Ave. Southbound					47th St N Westbound					TH-120 / Century Ave. Northbound					7th Ave E Eastbound					Int. Total
	Left	Thru	Right	Peds	App. Total	Left	Thru	Right	Peds	App. Total	Left	Thru	Right	Peds	App. Total	Left	Thru	Right	Peds	App. Total	
Peak Hour Analysis From 06:00 to 08:45 - Peak 1 of 1																					
Peak Hour for Entire Intersection Begins at 07:15																					
07:15	1	58	21	0	80	4	16	1	0	21	8	113	0	0	121	28	1	7	0	36	258
07:30	0	69	23	0	92	1	6	2	1	10	16	107	0	0	123	25	3	3	0	31	256
07:45	0	50	22	0	72	3	17	1	0	21	18	104	1	0	123	26	7	6	0	39	255
08:00	0	43	31	1	75	3	12	1	0	16	20	93	0	0	113	32	1	6	0	39	243
Total Volume	1	220	97	1	319	11	51	5	1	68	62	417	1	0	480	111	12	22	0	145	1012
% App. Total	0.3	69	30.4	0.3		16.2	75	7.4	1.5		12.9	86.9	0.2	0		76.6	8.3	15.2	0		
PHF	.250	.797	.782	.250	.867	.688	.750	.625	.250	.810	.775	.923	.250	.000	.976	.867	.429	.786	.000	.929	.981



SEH CONSULTING
Traffic Data Collection
TURN MOVEMENT COUNT

TH-120 / Century Ave at 7th Ave E
Ref.Pt.: 006.883 N St Paul
data by SEH
TURN MOVEMENT COUNT

File Name : TH-120 at 7th Ave E north st paul 2008
Site Code : 00000003
Start Date : 12/3/2008
Page No : 3

Start Time	TH-120 / Century Ave. Southbound					47th St N Westbound					TH-120 / Century Ave. Northbound					7th Ave E Eastbound					Int. Total
	Left	Thru	Right	Peds	App. Total	Left	Thru	Right	Peds	App. Total	Left	Thru	Right	Peds	App. Total	Left	Thru	Right	Peds	App. Total	

Peak Hour Analysis From 15:00 to 17:45 - Peak 1 of 1

Peak Hour for Entire Intersection Begins at 16:30

16:30	3	101	49	0	153	1	9	1	0	11	26	102	4	0	132	45	14	16	0	75	371
16:45	3	133	33	0	169	1	7	0	0	8	29	90	0	0	119	54	14	26	0	94	390
17:00	1	107	39	0	147	2	6	1	0	9	14	97	0	0	111	61	15	27	0	103	370
17:15	3	124	34	0	161	1	7	2	0	10	11	97	0	0	108	61	12	12	0	85	364
Total Volume	10	465	155	0	630	5	29	4	0	38	80	386	4	0	470	221	55	81	0	357	1495
% App. Total	1.6	73.8	24.6	0		13.2	76.3	10.5	0		17	82.1	0.9	0		61.9	15.4	22.7	0		
PHF	.833	.874	.791	.000	.932	.625	.806	.500	.000	.864	.690	.946	.250	.000	.890	.906	.917	.750	.000	.867	.958

