



MINNESOTA DEPT OF TRANSPORTATION

TRAFFIC DATA COLLECTION - METRO

TH-13 at Candy Cove Trail / Luther Rd

Ref.Pt.: 086.339 Prior Lake

JAMAR # T-2638 CAH

TURN MOVEMENT COUNT

File Name : TH-13 at Candy Cove Tr N jct 2010

Site Code : 00000000

Start Date : 3/24/2010

Page No : 1

Groups Printed- Cars & Trucks

Start Time	TH-13 Southbound				Luther Rd SE Westbound				TH-13 Northbound				Candy Cove Trail SE Eastbound				Int. Total
	Left	Thru	Right	Peds	Left	Thru	Right	Peds	Left	Thru	Right	Peds	Left	Thru	Right	Peds	
06:00	0	17	0	0	0	0	0	0	0	71	0	0	1	0	0	0	89
06:15	1	17	0	0	0	0	1	0	0	113	0	0	0	0	0	0	132
06:30	0	28	0	0	0	0	0	0	0	133	0	0	2	0	0	0	163
06:45	1	43	0	0	0	0	0	0	1	143	0	0	2	0	0	0	190
Total	2	105	0	0	0	0	1	0	1	460	0	0	5	0	0	0	574
07:00	0	36	0	0	0	0	0	0	0	139	0	0	0	0	0	0	175
07:15	0	26	0	0	0	0	0	0	0	106	0	0	1	0	0	0	133
07:30	1	55	0	0	0	0	1	0	2	141	0	0	1	0	0	0	201
07:45	1	54	0	0	0	0	0	0	0	143	0	0	1	0	0	0	199
Total	2	171	0	0	0	0	1	0	2	529	0	0	3	0	0	0	708
08:00	0	58	0	0	0	0	0	0	0	159	0	0	2	0	0	0	219
08:15	0	42	0	0	0	0	0	0	0	123	0	0	1	0	0	0	166
08:30	0	53	0	0	0	0	0	0	1	83	0	0	1	0	0	0	138
08:45	1	63	2	0	0	0	0	0	0	139	3	0	1	0	0	0	209
Total	1	216	2	0	0	0	0	0	1	504	3	0	5	0	0	0	732
*** BREAK ***																	
15:00	0	133	3	0	0	0	2	0	0	139	0	0	1	0	0	0	278
15:15	0	150	2	0	0	0	1	0	0	79	0	0	0	0	0	0	232
15:30	2	153	1	0	1	0	2	0	1	135	0	1	0	0	0	0	296
15:45	1	159	3	0	0	0	0	0	0	92	0	0	0	1	0	0	256
Total	3	595	9	0	1	0	5	0	1	445	0	1	1	1	0	0	1062
16:00	0	176	1	0	0	0	0	0	0	98	0	1	0	0	0	0	276
16:15	0	184	3	0	0	0	0	0	1	127	0	0	1	0	0	0	316
16:30	0	192	0	1	0	0	0	0	0	120	0	0	1	0	3	0	317
16:45	1	226	1	1	0	0	0	0	0	126	0	0	0	0	0	0	355
Total	1	778	5	2	0	0	0	0	1	471	0	1	2	0	3	0	1264
17:00	0	211	2	0	0	0	0	0	0	111	0	1	1	0	0	0	326
17:15	0	176	0	0	1	0	0	0	1	121	0	0	2	0	1	0	302
17:30	1	176	3	1	0	0	0	0	0	106	0	0	2	0	0	0	289
17:45	0	177	3	0	0	0	0	0	0	114	0	0	0	0	0	0	294
Total	1	740	8	1	1	0	0	0	1	452	0	1	5	0	1	0	1211
Grand Total	10	2605	24	3	2	0	7	0	7	2861	3	3	21	1	4	0	5551
Apprch %	0.4	98.6	0.9	0.1	22.2	0	77.8	0	0.2	99.5	0.1	0.1	80.8	3.8	15.4	0	
Total %	0.2	46.9	0.4	0.1	0	0	0.1	0	0.1	51.5	0.1	0.1	0.4	0	0.1	0	



MINNESOTA DEPT OF TRANSPORTATION

TRAFFIC DATA COLLECTION - METRO

TH-13 at Candy Cove Trail / Luther Rd

File Name : TH-13 at Candy Cove Tr N jct 2010

Ref.Pt.: 086.339 Prior Lake

Site Code : 00000000

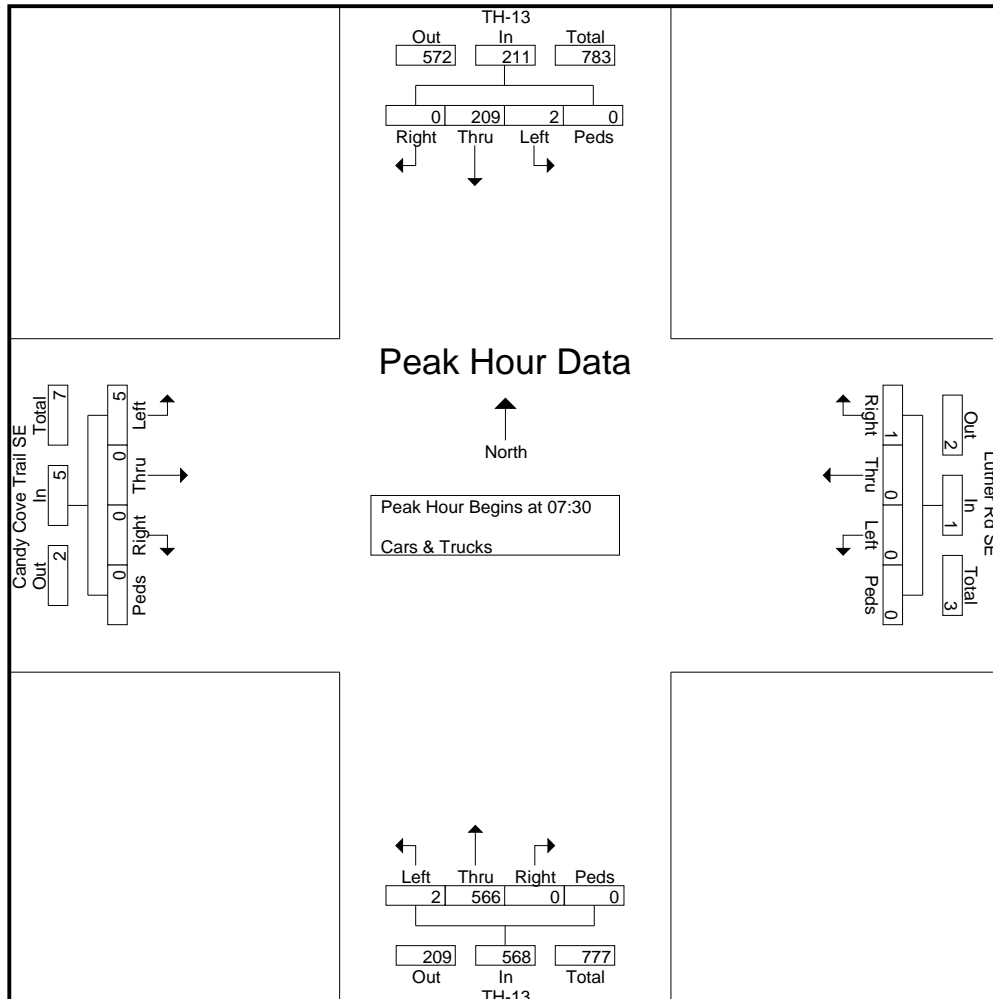
JAMAR # T-2638 CAH

Start Date : 3/24/2010

TURN MOVEMENT COUNT

Page No : 2

Start Time	TH-13 Southbound					Luther Rd SE Westbound					TH-13 Northbound					Candy Cove Trail SE Eastbound					Int. Total
	Left	Thru	Right	Peds	App. Total	Left	Thru	Right	Peds	App. Total	Left	Thru	Right	Peds	App. Total	Left	Thru	Right	Peds	App. Total	
Peak Hour Analysis From 06:00 to 08:45 - Peak 1 of 1																					
Peak Hour for Entire Intersection Begins at 07:30																					
07:30	1	55	0	0	56	0	0	1	0	1	2	141	0	0	143	1	0	0	0	1	201
07:45	1	54	0	0	55	0	0	0	0	0	0	143	0	0	143	1	0	0	0	1	199
08:00	0	58	0	0	58	0	0	0	0	0	0	159	0	0	159	2	0	0	0	2	219
08:15	0	42	0	0	42	0	0	0	0	0	0	123	0	0	123	1	0	0	0	1	166
Total Volume	2	209	0	0	211	0	0	1	0	1	2	566	0	0	568	5	0	0	0	5	785
% App. Total	0.9	99.1	0	0		0	0	100	0		0.4	99.6	0	0		100	0	0	0		
PHF	.500	.901	.000	.000	.909	.000	.000	.250	.000	.250	.250	.890	.000	.000	.893	.625	.000	.000	.000	.625	.896





MINNESOTA DEPT OF TRANSPORTATION

TRAFFIC DATA COLLECTION - METRO

TH-13 at Candy Cove Trail / Luther Rd
 Ref.Pt.: 086.339 Prior Lake
 JAMAR # T-2638 CAH
 TURN MOVEMENT COUNT

File Name : TH-13 at Candy Cove Tr N jct 2010
 Site Code : 00000000
 Start Date : 3/24/2010
 Page No : 3

Start Time	TH-13 Southbound					Luther Rd SE Westbound					TH-13 Northbound					Candy Cove Trail SE Eastbound					Int. Total
	Left	Thru	Right	Peds	App. Total	Left	Thru	Right	Peds	App. Total	Left	Thru	Right	Peds	App. Total	Left	Thru	Right	Peds	App. Total	
Peak Hour Analysis From 15:00 to 17:45 - Peak 1 of 1																					
Peak Hour for Entire Intersection Begins at 16:15																					
16:15	0	184	3	0	187	0	0	0	0	0	1	127	0	0	128	1	0	0	0	1	316
16:30	0	192	0	1	193	0	0	0	0	0	0	120	0	0	120	1	0	3	0	4	317
16:45	1	226	1	1	229	0	0	0	0	0	0	126	0	0	126	0	0	0	0	0	355
17:00	0	211	2	0	213	0	0	0	0	0	0	111	0	1	112	1	0	0	0	1	326
Total Volume	1	813	6	2	822	0	0	0	0	0	1	484	0	1	486	3	0	3	0	6	1314
% App. Total	0.1	98.9	0.7	0.2		0	0	0	0		0.2	99.6	0	0.2		50	0	50	0		
PHF	.250	.899	.500	.500	.897	.000	.000	.000	.000	.000	.250	.953	.000	.250	.949	.750	.000	.250	.000	.375	.925

