



MINNESOTA DEPT OF TRANSPORTATION

TRAFFIC DATA COLLECTION - METRO

Location: TH 13 @ 128th ST 2006
 REF. PT.: 090+00.280
 JAMAR#T-682/DR
 TURN MOVEMENT COUNT

File Name : TH 13 @ 128th ST 2006
 Site Code : 00000000
 Start Date : 12/5/2006
 Page No : 1

Groups Printed- CARS & TRUCKS

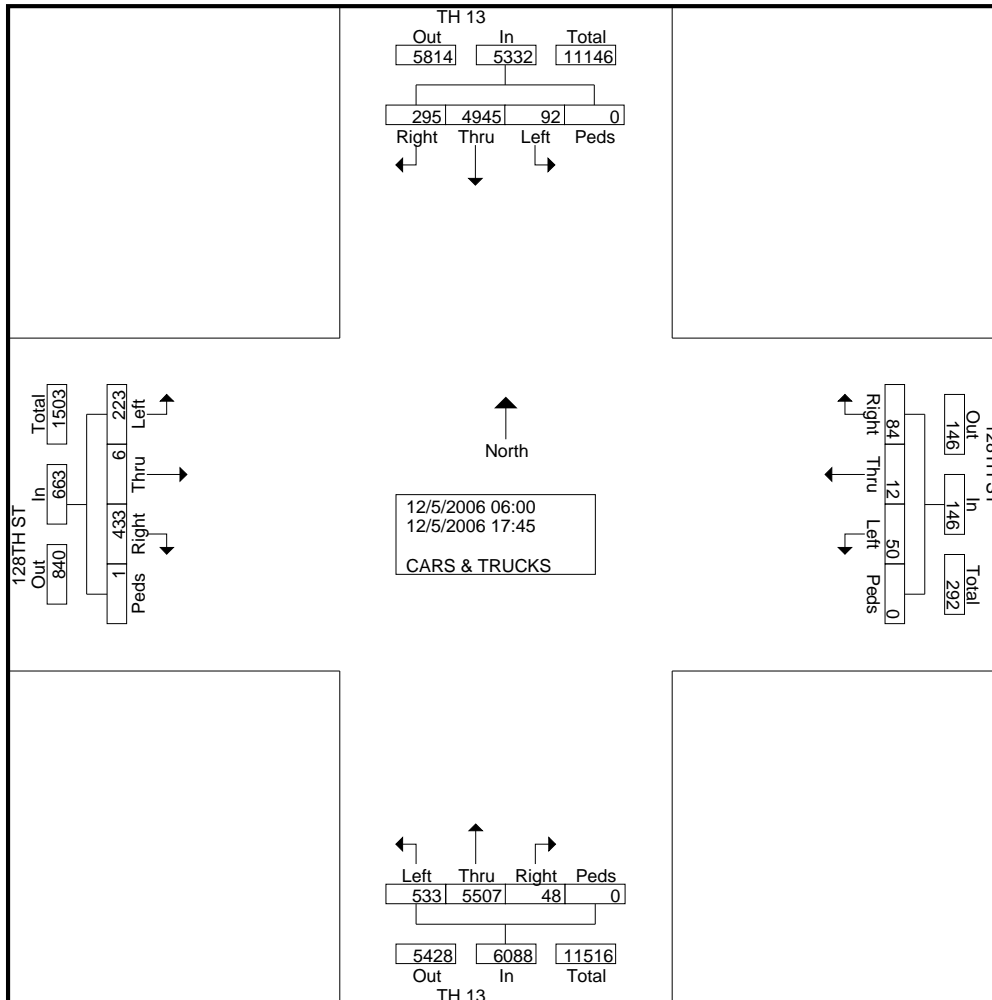
Start Time	TH 13 Southbound					128TH ST Westbound					TH 13 Northbound					128TH ST Eastbound					Int. Total
	Left	Thru	Right	Peds	App. Total	Left	Thru	Right	Peds	App. Total	Left	Thru	Right	Peds	App. Total	Left	Thru	Right	Peds	App. Total	
06:00	1	34	8	0	43	1	0	2	0	3	11	206	2	0	219	13	0	1	0	14	279
06:15	2	57	6	0	65	0	0	2	0	2	9	273	0	0	282	9	0	3	0	12	361
06:30	1	61	11	0	73	0	0	0	0	0	10	363	1	0	374	4	0	3	0	7	454
06:45	4	117	31	0	152	0	0	0	0	0	34	370	3	0	407	2	0	6	0	8	567
Total	8	269	56	0	333	1	0	4	0	5	64	1212	6	0	1282	28	0	13	0	41	1661
07:00	3	78	13	0	94	1	0	1	0	2	21	374	2	0	397	6	0	6	0	12	505
07:15	2	114	13	0	129	1	2	5	0	8	31	461	0	0	492	4	0	8	0	12	641
07:30	6	108	21	0	135	0	0	3	0	3	36	378	4	0	418	0	1	6	0	7	563
07:45	5	129	29	0	163	2	1	1	0	4	49	356	8	0	413	3	0	9	0	12	592
Total	16	429	76	0	521	4	3	10	0	17	137	1569	14	0	1720	13	1	29	0	43	2301
08:00	4	83	19	0	106	2	2	0	0	4	28	294	0	0	322	6	0	8	0	14	446
08:15	4	82	19	0	105	2	0	1	0	3	32	306	1	0	339	4	0	11	0	15	462
08:30	3	111	18	0	132	0	1	0	0	1	26	275	2	0	303	3	0	10	0	13	449
08:45	4	105	10	0	119	2	0	2	0	4	9	231	0	0	240	3	0	8	0	11	374
Total	15	381	66	0	462	6	3	3	0	12	95	1106	3	0	1204	16	0	37	0	53	1731
15:00	4	230	6	0	240	0	0	7	0	7	17	134	3	0	154	15	2	8	0	25	426
15:15	3	240	10	0	253	1	1	10	0	12	16	125	2	0	143	3	0	18	0	21	429
15:30	5	281	7	0	293	4	1	3	0	8	15	154	5	0	174	46	0	48	0	94	569
15:45	16	310	12	0	338	6	0	4	0	10	23	119	1	0	143	6	1	20	0	27	518
Total	28	1061	35	0	1124	11	2	24	0	37	71	532	11	0	614	70	3	94	0	167	1942
16:00	4	337	8	0	349	8	0	7	0	15	32	145	2	0	179	15	0	40	0	55	598
16:15	3	309	9	0	321	2	0	5	0	7	16	119	0	0	135	13	1	25	0	39	502
16:30	4	330	9	0	343	5	0	7	0	12	19	125	4	0	148	12	0	27	0	39	542
16:45	7	352	8	0	367	1	0	8	0	9	27	142	2	0	171	7	0	35	1	43	590
Total	18	1328	34	0	1380	16	0	27	0	43	94	531	8	0	633	47	1	127	1	176	2232
17:00	0	356	7	0	363	6	0	6	0	12	23	145	2	0	170	22	0	65	0	87	632
17:15	1	353	5	0	359	2	2	4	0	8	14	156	1	0	171	8	1	31	0	40	578
17:30	3	420	5	0	428	1	2	3	0	6	21	128	1	0	150	12	0	22	0	34	618
17:45	3	348	11	0	362	3	0	3	0	6	14	128	2	0	144	7	0	15	0	22	534
Total	7	1477	28	0	1512	12	4	16	0	32	72	557	6	0	635	49	1	133	0	183	2362
Grand Total	92	4945	295	0	5332	50	12	84	0	146	533	5507	48	0	6088	223	6	433	1	663	12229
Apprch %	1.7	92.7	5.5	0		34.2	8.2	57.5	0		8.8	90.5	0.8	0		33.6	0.9	65.3	0.2		
Total %	0.8	40.4	2.4	0	43.6	0.4	0.1	0.7	0	1.2	4.4	45	0.4	0	49.8	1.8	0	3.5	0	5.4	



MINNESOTA DEPT OF TRANSPORTATION

TRAFFIC DATA COLLECTION - METRO

File Name : TH 13 @ 128th ST 2006
 Site Code : 00000000
 Start Date : 12/5/2006
 Page No : 2



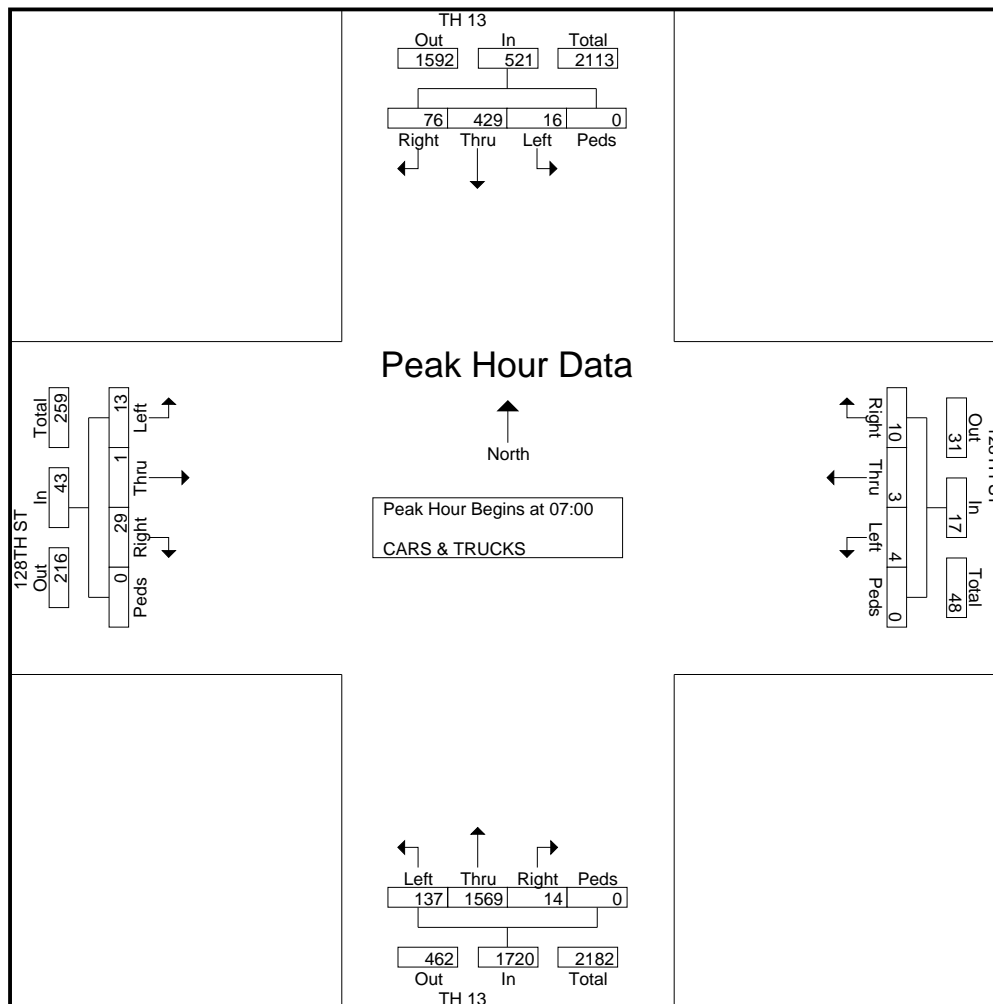


MINNESOTA DEPT OF TRANSPORTATION

TRAFFIC DATA COLLECTION - METRO

File Name : TH 13 @ 128th ST 2006
 Site Code : 00000000
 Start Date : 12/5/2006
 Page No : 3

Start Time	TH 13 Southbound					128TH ST Westbound					TH 13 Northbound					128TH ST Eastbound					Int. Total
	Left	Thru	Right	Peds	App. Total	Left	Thru	Right	Peds	App. Total	Left	Thru	Right	Peds	App. Total	Left	Thru	Right	Peds	App. Total	
Peak Hour Analysis From 06:00 to 12:00 - Peak 1 of 1																					
Peak Hour for Entire Intersection Begins at 07:00																					
07:00	3	78	13	0	94	1	0	1	0	2	21	374	2	0	397	6	0	6	0	12	505
07:15	2	114	13	0	129	1	2	5	0	8	31	461	0	0	492	4	0	8	0	12	641
07:30	6	108	21	0	135	0	0	3	0	3	36	378	4	0	418	0	1	6	0	7	563
07:45	5	129	29	0	163	2	1	1	0	4	49	356	8	0	413	3	0	9	0	12	592
Total Volume	16	429	76	0	521	4	3	10	0	17	137	1569	14	0	1720	13	1	29	0	43	2301
% App. Total	3.1	82.3	14.6	0		23.5	17.6	58.8	0		8	91.2	0.8	0		30.2	2.3	67.4	0		
PHF	.667	.831	.655	.000	.799	.500	.375	.500	.000	.531	.699	.851	.438	.000	.874	.542	.250	.806	.000	.896	.897





MINNESOTA DEPT OF TRANSPORTATION

TRAFFIC DATA COLLECTION - METRO

File Name : TH 13 @ 128th ST 2006
 Site Code : 00000000
 Start Date : 12/5/2006
 Page No : 4

Start Time	TH 13 Southbound					128TH ST Westbound					TH 13 Northbound					128TH ST Eastbound					Int. Total
	Left	Thru	Right	Peds	App. Total	Left	Thru	Right	Peds	App. Total	Left	Thru	Right	Peds	App. Total	Left	Thru	Right	Peds	App. Total	
16:45	7	352	8	0	367	1	0	8	0	9	27	142	2	0	171	7	0	35	1	43	590
17:00	0	356	7	0	363	6	0	6	0	12	23	145	2	0	170	22	0	65	0	87	632
17:15	1	353	5	0	359	2	2	4	0	8	14	156	1	0	171	8	1	31	0	40	578
17:30	3	420	5	0	428	1	2	3	0	6	21	128	1	0	150	12	0	22	0	34	618
Total Volume	11	1481	25	0	1517	10	4	21	0	35	85	571	6	0	662	49	1	153	1	204	2418
% App. Total	0.7	97.6	1.6	0		28.6	11.4	60	0		12.8	86.3	0.9	0		24	0.5	75	0.5		
PHF	.393	.882	.781	.000	.886	.417	.500	.656	.000	.729	.787	.915	.750	.000	.968	.557	.250	.588	.250	.586	.956

Peak Hour Analysis From 12:15 to 17:45 - Peak 1 of 1
 Peak Hour for Entire Intersection Begins at 16:45

