

TRAFFIC DATA INC.

3268 Xenwood Ave S
St Louis Park, MN 55416

Williams Drive at Morgan Ave.
BURNSVILLE
data by: Traffic Data Inc
TURN MOVMENT COUNT

File Name : Williams Drive at Morgan Ave 2009
Site Code : 01829120
Start Date : 5/12/2009
Page No : 1

Groups Printed- Unshifted

Start Time	Morgan Ave Southbound				Williams Drive Westbound				Morgan Ave Northbound				Williams Drive Eastbound				Int. Total
	Left	Thru	Right	Peds	Left	Thru	Right	Peds	Left	Thru	Right	Peds	Left	Thru	Right	Peds	
06:00	7	0	1	0	1	16	6	0	0	3	5	0	4	116	1	0	160
06:15	13	0	4	0	1	18	7	0	1	2	7	1	11	144	0	0	209
06:30	9	0	3	0	4	29	14	0	2	1	13	0	7	158	0	0	240
06:45	15	0	7	0	1	44	14	0	1	4	8	0	6	172	0	0	272
Total	44	0	15	0	7	107	41	0	4	10	33	1	28	590	1	0	881
07:00	18	0	4	0	2	34	11	0	3	2	8	0	3	204	0	4	293
07:15	17	0	2	0	1	60	27	0	1	2	7	0	11	194	1	0	323
07:30	16	1	6	0	3	50	24	0	0	3	6	0	7	201	0	1	318
07:45	14	0	5	0	1	50	20	0	0	1	8	0	7	204	0	0	310
Total	65	1	17	0	7	194	82	0	4	8	29	0	28	803	1	5	1244
08:00	21	0	6	0	1	37	17	1	2	1	9	1	10	182	1	0	289
08:15	21	1	5	0	0	56	20	0	0	3	4	0	9	176	0	0	295
08:30	18	0	5	0	1	44	18	0	0	3	7	0	9	141	0	0	246
08:45	20	0	3	0	5	44	17	0	3	2	4	0	11	141	0	0	250
Total	80	1	19	0	7	181	72	1	5	9	24	1	39	640	1	0	1080
*** BREAK ***																	
11:00	22	0	8	2	3	49	9	2	1	0	5	1	4	65	1	0	172
11:15	25	1	6	0	10	60	18	0	0	2	4	0	6	80	0	0	212
11:30	21	2	9	2	5	60	11	0	0	1	5	0	11	78	2	0	207
11:45	28	2	7	0	7	55	21	0	1	1	4	0	3	70	0	0	199
Total	96	5	30	4	25	224	59	2	2	4	18	1	24	293	3	0	790
12:00	36	0	11	0	4	58	13	0	0	1	2	1	9	57	0	0	192
12:15	26	2	9	0	4	54	16	0	1	1	4	2	1	74	0	0	194
12:30	28	0	8	0	4	60	25	0	0	1	3	0	3	74	2	1	209
12:45	33	1	5	0	5	55	12	0	1	0	5	0	7	64	0	0	188
Total	123	3	33	0	17	227	66	0	2	3	14	3	20	269	2	1	783
*** BREAK ***																	
15:00	33	3	13	0	12	102	11	0	1	2	8	0	7	121	0	0	313
15:15	31	0	10	1	10	112	15	0	1	0	4	0	6	92	0	2	284
15:30	46	1	10	0	10	103	14	0	1	1	3	1	6	116	1	0	313
15:45	42	1	15	1	8	124	23	1	0	2	2	1	2	122	2	0	346
Total	152	5	48	2	40	441	63	1	3	5	17	2	21	451	3	2	1256
16:00	27	2	10	0	9	121	17	0	1	2	0	0	4	121	2	0	316
16:15	49	1	10	0	5	110	10	0	0	0	4	2	13	108	0	0	312
16:30	35	1	17	0	8	135	12	0	0	0	5	0	7	130	1	4	355
16:45	47	3	14	1	11	145	20	0	1	0	3	0	9	96	2	5	357
Total	158	7	51	1	33	511	59	0	2	2	12	2	33	455	5	9	1340
17:00	46	3	16	1	14	125	20	0	4	2	6	1	2	141	3	1	385
17:15	44	2	9	0	12	162	26	0	1	1	11	1	6	146	1	0	422
17:30	40	1	16	0	9	153	19	0	1	2	2	0	11	138	0	0	392
17:45	20	1	7	0	10	131	15	1	1	0	5	2	9	115	0	1	318
Total	150	7	48	1	45	571	80	1	7	5	24	4	28	540	4	2	1517
Grand Total	868	29	261	8	181	2456	522	5	29	46	171	14	221	4041	20	19	8891
Apprch %	74.4	2.5	22.4	0.7	5.7	77.6	16.5	0.2	11.2	17.7	65.8	5.4	5.1	94	0.5	0.4	
Total %	9.8	0.3	2.9	0.1	2	27.6	5.9	0.1	0.3	0.5	1.9	0.2	2.5	45.5	0.2	0.2	

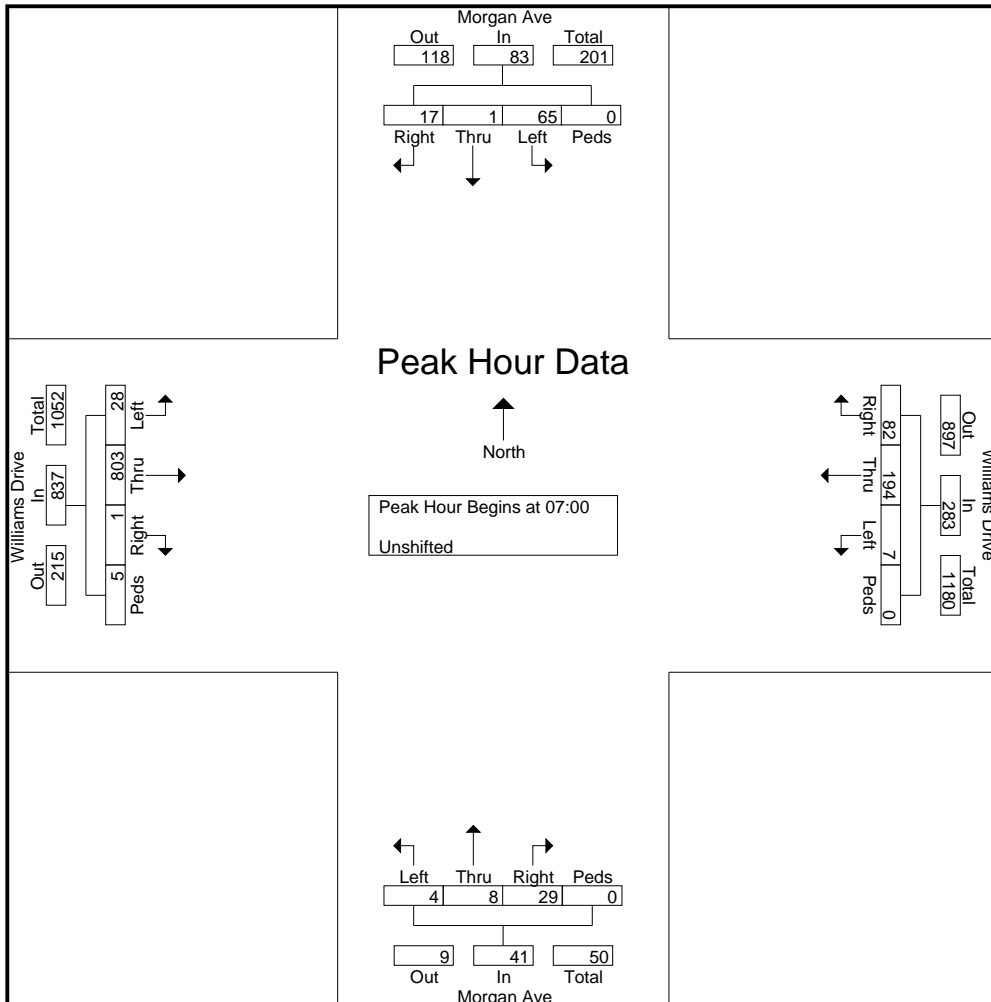
TRAFFIC DATA INC.

3268 Xenwood Ave S
St Louis Park, MN 55416

Williams Drive at Morgan Ave.
BURNSVILLE
data by: Traffic Data Inc
TURN MOVMENT COUNT

File Name : Williams Drive at Morgan Ave 2009
Site Code : 01829120
Start Date : 5/12/2009
Page No : 3

Start Time	Morgan Ave Southbound					Williams Drive Westbound					Morgan Ave Northbound					Williams Drive Eastbound					Int. Total
	Left	Thru	Right	Peds	App. Total	Left	Thru	Right	Peds	App. Total	Left	Thru	Right	Peds	App. Total	Left	Thru	Right	Peds	App. Total	
Peak Hour Analysis From 06:00 to 08:45 - Peak 1 of 1																					
Peak Hour for Entire Intersection Begins at 07:00																					
07:00	18	0	4	0	22	2	34	11	0	47	3	2	8	0	13	3	204	0	4	211	293
07:15	17	0	2	0	19	1	60	27	0	88	1	2	7	0	10	11	194	1	0	206	323
07:30	16	1	6	0	23	3	50	24	0	77	0	3	6	0	9	7	201	0	1	209	318
07:45	14	0	5	0	19	1	50	20	0	71	0	1	8	0	9	7	204	0	0	211	310
Total Volume	65	1	17	0	83	7	194	82	0	283	4	8	29	0	41	28	803	1	5	837	1244
% App. Total	78.3	1.2	20.5	0		2.5	68.6	29	0		9.8	19.5	70.7	0		3.3	95.9	0.1	0.6		
PHF	.903	.250	.708	.000	.902	.583	.808	.759	.000	.804	.333	.667	.906	.000	.788	.636	.984	.250	.313	.992	.963



TRAFFIC DATA INC.

3268 Xenwood Ave S
St Louis Park, MN 55416

Williams Drive at Morgan Ave.
BURNSVILLE
data by: Traffic Data Inc
TURN MOVMENT COUNT

File Name : Williams Drive at Morgan Ave 2009
Site Code : 01829120
Start Date : 5/12/2009
Page No : 4

Start Time	Morgan Ave Southbound					Williams Drive Westbound					Morgan Ave Northbound					Williams Drive Eastbound					Int. Total
	Left	Thru	Right	Peds	App. Total	Left	Thru	Right	Peds	App. Total	Left	Thru	Right	Peds	App. Total	Left	Thru	Right	Peds	App. Total	
Peak Hour Analysis From 15:00 to 17:45 - Peak 1 of 1																					
Peak Hour for Entire Intersection Begins at 16:45																					
16:45	47	3	14	1	65	11	145	20	0	176	1	0	3	0	4	9	96	2	5	112	357
17:00	46	3	16	1	66	14	125	20	0	159	4	2	6	1	13	2	141	3	1	147	385
17:15	44	2	9	0	55	12	162	26	0	200	1	1	11	1	14	6	146	1	0	153	422
17:30	40	1	16	0	57	9	153	19	0	181	1	2	2	0	5	11	138	0	0	149	392
Total Volume	177	9	55	2	243	46	585	85	0	716	7	5	22	2	36	28	521	6	6	561	1556
% App. Total	72.8	3.7	22.6	0.8		6.4	81.7	11.9	0		19.4	13.9	61.1	5.6		5	92.9	1.1	1.1		
PHF	.941	.750	.859	.500	.920	.821	.903	.817	.000	.895	.438	.625	.500	.500	.643	.636	.892	.500	.300	.917	.922

