



MINNESOTA DEPT OF TRANSPORTATION

TRAFFIC DATA COLLECTION - METRO

MN-13 AT PILOT KNOB RD./CSAH-31
 REF.PT.: 106.889
 DATA COLLECTED BY TDI
 TURN MOVEMENT COUNT

File Name : TH-13 AT PILOT KNOB RD 2007
 Site Code : 00198711
 Start Date : 5/15/2007
 Page No : 1

Groups Printed- Unshifted

Start Time	Pilot Knob Road Southbound				MN-13 Westbound				Pilot Knob Road Northbound				MN-13 Eastbound				Int. Total
	Left	Thru	Right	Peds	Left	Thru	Right	Peds	Left	Thru	Right	Peds	Left	Thru	Right	Peds	
06:00	0	4	3	0	11	17	2	0	0	0	26	0	0	30	1	0	94
06:15	1	2	3	0	21	36	2	2	1	8	29	1	3	47	0	0	156
06:30	1	2	1	0	16	24	3	1	0	5	49	0	0	73	2	0	177
06:45	1	4	1	0	37	39	5	1	0	20	56	0	2	87	2	1	256
Total	3	12	8	0	85	116	12	4	1	33	160	1	5	237	5	1	683
07:00	2	4	4	0	35	24	4	0	1	15	85	0	1	109	2	0	286
07:15	2	5	3	0	44	26	7	0	1	7	85	0	5	151	2	0	338
07:30	1	5	3	0	59	43	3	0	3	14	76	0	2	117	3	0	329
07:45	1	6	3	0	67	43	9	0	1	14	62	0	6	128	1	1	342
Total	6	20	13	0	205	136	23	0	6	50	308	0	14	505	8	1	1295
08:00	5	8	5	0	56	58	13	0	2	19	67	1	6	100	6	1	347
08:15	5	8	3	0	51	49	9	0	1	11	56	0	0	96	4	0	293
08:30	11	2	3	0	33	37	9	0	0	15	62	0	3	64	4	2	245
08:45	3	7	2	0	54	31	5	0	1	9	32	0	2	68	3	1	218
Total	24	25	13	0	194	175	36	0	4	54	217	1	11	328	17	4	1103
*** BREAK ***																	
15:00	8	5	8	0	31	54	2	2	3	3	33	0	1	40	0	1	191
15:15	7	12	0	0	39	60	5	1	3	9	26	0	2	35	1	1	201
15:30	3	12	6	0	53	86	6	0	4	10	50	0	4	60	2	0	296
15:45	9	8	7	0	57	89	3	1	6	7	31	0	2	49	1	0	270
Total	27	37	21	0	180	289	16	4	16	29	140	0	9	184	4	2	958
16:00	5	21	5	1	75	112	4	0	5	10	64	0	4	51	1	0	358
16:15	10	14	1	0	89	137	6	0	4	14	49	0	0	50	1	0	375
16:30	10	8	7	0	81	183	5	1	8	7	65	0	1	72	0	0	448
16:45	2	8	2	0	105	197	2	0	7	4	50	0	2	65	2	0	446
Total	27	51	15	1	350	629	17	1	24	35	228	0	7	238	4	0	1627
17:00	7	13	10	0	98	188	4	2	11	10	93	0	2	70	2	0	510
17:15	9	16	3	0	115	207	2	0	11	6	64	0	0	52	0	0	485
17:30	3	14	6	0	81	182	3	1	5	9	53	1	1	61	0	1	421
17:45	4	10	4	1	94	182	6	1	0	6	46	0	1	41	2	1	399
Total	23	53	23	1	388	759	15	4	27	31	256	1	4	224	4	2	1815
Grand Total	110	198	93	2	1402	2104	119	13	78	232	1309	3	50	1716	42	10	7481
Apprch %	27.3	49.1	23.1	0.5	38.5	57.8	3.3	0.4	4.8	14.3	80.7	0.2	2.8	94.4	2.3	0.6	
Total %	1.5	2.6	1.2	0	18.7	28.1	1.6	0.2	1	3.1	17.5	0	0.7	22.9	0.6	0.1	



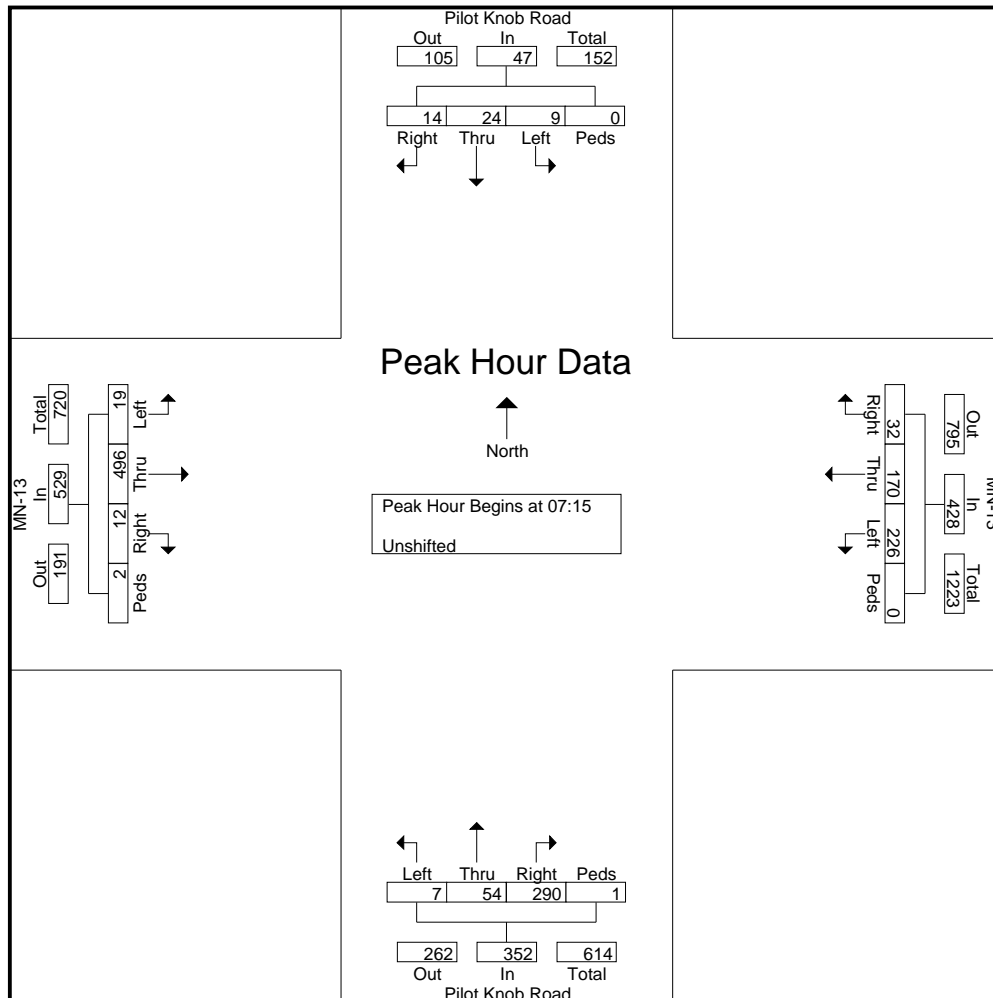
MINNESOTA DEPT OF TRANSPORTATION

TRAFFIC DATA COLLECTION - METRO

MN-13 AT PILOT KNOB RD./CSAH-31
 REF.PT.: 106.889
 DATA COLLECTED BY TDI
 TURN MOVEMENT COUNT

File Name : TH-13 AT PILOT KNOB RD 2007
 Site Code : 00198711
 Start Date : 5/15/2007
 Page No : 2

Start Time	Pilot Knob Road Southbound					MN-13 Westbound					Pilot Knob Road Northbound					MN-13 Eastbound					Int. Total
	Left	Thru	Right	Peds	App. Total	Left	Thru	Right	Peds	App. Total	Left	Thru	Right	Peds	App. Total	Left	Thru	Right	Peds	App. Total	
Peak Hour Analysis From 06:00 to 08:45 - Peak 1 of 1																					
Peak Hour for Entire Intersection Begins at 07:15																					
07:15	2	5	3	0	10	44	26	7	0	77	1	7	85	0	93	5	151	2	0	158	338
07:30	1	5	3	0	9	59	43	3	0	105	3	14	76	0	93	2	117	3	0	122	329
07:45	1	6	3	0	10	67	43	9	0	119	1	14	62	0	77	6	128	1	1	136	342
08:00	5	8	5	0	18	56	58	13	0	127	2	19	67	1	89	6	100	6	1	113	347
Total Volume	9	24	14	0	47	226	170	32	0	428	7	54	290	1	352	19	496	12	2	529	1356
% App. Total	19.1	51.1	29.8	0		52.8	39.7	7.5	0		2	15.3	82.4	0.3		3.6	93.8	2.3	0.4		
PHF	.450	.750	.700	.000	.653	.843	.733	.615	.000	.843	.583	.711	.853	.250	.946	.792	.821	.500	.500	.837	.977





MINNESOTA DEPT OF TRANSPORTATION

TRAFFIC DATA COLLECTION - METRO

MN-13 AT PILOT KNOB RD./CSAH-31
 REF.PT.: 106.889
 DATA COLLECTED BY TDI
 TURN MOVEMENT COUNT

File Name : TH-13 AT PILOT KNOB RD 2007
 Site Code : 00198711
 Start Date : 5/15/2007
 Page No : 3

Start Time	Pilot Knob Road Southbound					MN-13 Westbound					Pilot Knob Road Northbound					MN-13 Eastbound					Int. Total
	Left	Thru	Right	Peds	App. Total	Left	Thru	Right	Peds	App. Total	Left	Thru	Right	Peds	App. Total	Left	Thru	Right	Peds	App. Total	
Peak Hour Analysis From 15:00 to 17:45 - Peak 1 of 1																					
Peak Hour for Entire Intersection Begins at 16:30																					
16:30	10	8	7	0	25	81	183	5	1	270	8	7	65	0	80	1	72	0	0	73	448
16:45	2	8	2	0	12	105	197	2	0	304	7	4	50	0	61	2	65	2	0	69	446
17:00	7	13	10	0	30	98	188	4	2	292	11	10	93	0	114	2	70	2	0	74	510
17:15	9	16	3	0	28	115	207	2	0	324	11	6	64	0	81	0	52	0	0	52	485
Total Volume	28	45	22	0	95	399	775	13	3	1190	37	27	272	0	336	5	259	4	0	268	1889
% App. Total	29.5	47.4	23.2	0		33.5	65.1	1.1	0.3		11	8	81	0		1.9	96.6	1.5	0		
PHF	.700	.703	.550	.000	.792	.867	.936	.650	.375	.918	.841	.675	.731	.000	.737	.625	.899	.500	.000	.905	.926

