

Alliant Engineering

Minneapolis, MN 55415

--TRAFFIC DATA --

TH-156 at Bryant Ave.
 Ref.Pt.: 002.252
 data by Alliant Engineering
 TURN MOVEMENT COUNT

File Name : 501 - TH 156 and Bryant Ave
 Site Code : 501
 Start Date : 4/14/2015
 Page No : 1

Groups Printed- Cars - Trucks

Start Time	TH-156 Southbound				Bryant Ave Westbound				TH-156 Northbound				Bryant Ave Eastbound				Int. Total
	Left	Thru	Rght	Bikes	Left	Thru	Rght	Bikes	Left	Thru	Rght	Bikes	Left	Thru	Rght	Bikes	
06:00	0	34	0	0	0	0	0	1	5	26	0	0	4	0	4	0	74
06:15	0	59	0	0	0	0	0	0	1	49	1	0	1	0	2	0	113
06:30	0	61	1	0	0	1	0	0	4	63	2	0	1	0	4	0	137
06:45	0	78	2	0	0	0	0	1	4	74	1	1	3	0	8	0	172
Total	0	232	3	0	0	1	0	2	14	212	4	1	9	0	18	0	496
07:00	0	61	4	0	2	0	0	0	10	87	2	1	2	1	5	0	175
07:15	3	76	2	0	1	0	1	0	3	82	0	3	6	0	5	0	182
07:30	0	72	1	0	1	2	0	0	6	132	0	1	8	0	9	0	232
07:45	1	75	3	0	0	1	0	0	9	121	0	0	6	1	21	0	238
Total	4	284	10	0	4	3	1	0	28	422	2	5	22	2	40	0	827
08:00	2	76	2	1	0	1	0	0	3	78	2	0	6	2	10	0	183
08:15	0	47	4	1	0	0	1	0	2	89	2	0	8	0	6	0	160
08:30	0	67	2	0	1	1	2	0	9	66	2	1	6	1	3	1	162
08:45	0	59	2	0	1	2	0	0	3	86	1	0	5	2	8	0	169
Total	2	249	10	2	2	4	3	0	17	319	7	1	25	5	27	1	674
09:00	0	56	3	0	0	1	0	0	3	55	2	0	6	0	5	0	131
09:15	1	43	1	0	0	2	0	1	6	55	2	0	4	0	5	0	120
*** BREAK ***																	
Total	1	99	4	0	0	3	0	1	9	110	4	0	10	0	10	0	251
*** BREAK ***																	
10:30	1	38	1	0	1	1	0	0	1	49	3	0	3	1	4	0	103
10:45	1	35	3	0	0	0	2	0	1	53	3	4	4	1	6	3	116
Total	2	73	4	0	1	1	2	0	2	102	6	4	7	2	10	3	219
11:00	0	47	5	0	2	1	1	0	4	58	2	1	3	0	9	3	136
11:15	0	56	2	0	3	1	0	0	3	49	2	0	3	0	9	0	128
11:30	0	53	1	0	3	0	1	0	6	70	6	2	1	0	8	1	152
11:45	1	58	3	0	0	2	1	0	6	52	4	0	4	0	7	0	138
Total	1	214	11	0	8	4	3	0	19	229	14	3	11	0	33	4	554
12:00	3	63	2	0	2	0	0	0	3	53	3	0	2	0	7	0	138
12:15	2	58	6	0	2	0	1	0	5	66	6	0	4	0	2	0	152
12:30	1	60	5	0	6	0	1	2	4	58	5	2	3	0	11	0	158
12:45	3	71	5	0	4	0	3	0	5	51	3	0	4	2	6	0	157
Total	9	252	18	0	14	0	5	2	17	228	17	2	13	2	26	0	605
13:00	4	71	4	0	6	0	1	0	5	64	0	0	2	0	4	0	161
13:15	0	65	1	0	0	0	1	1	6	56	3	0	2	3	5	0	143
*** BREAK ***																	
Total	4	136	5	0	6	0	2	1	11	120	3	0	4	3	9	0	304
*** BREAK ***																	
14:30	2	87	1	0	4	0	1	0	11	88	2	0	1	0	8	0	205
14:45	2	92	6	0	3	0	1	0	12	76	2	1	2	0	10	4	211
Total	4	179	7	0	7	0	2	0	23	164	4	1	3	0	18	4	416
15:00	0	74	4	0	1	3	2	0	11	91	1	1	1	0	12	3	204
15:15	2	84	8	0	2	1	3	0	8	96	5	0	2	2	6	2	221
15:30	3	95	7	0	3	0	3	0	8	104	2	0	2	0	11	0	238
15:45	1	81	4	0	1	0	1	0	18	97	1	2	3	1	11	0	221
Total	6	334	23	0	7	4	9	0	45	388	9	3	8	3	40	5	884
16:00	2	93	7	0	3	0	1	0	8	101	9	0	5	1	6	0	236
16:15	1	103	7	1	1	1	4	0	7	98	4	0	6	1	8	4	246
16:30	4	104	5	0	3	3	3	1	15	74	9	0	2	0	8	2	233

Alliant Engineering

Minneapolis, MN 55415

--TRAFFIC DATA --

TH-156 at Bryant Ave.
 Ref.Pt.: 002.252
 data by Alliant Engineering
 TURN MOVEMENT COUNT

File Name : 501 - TH 156 and Bryant Ave
 Site Code : 501
 Start Date : 4/14/2015
 Page No : 2

Groups Printed- Cars - Trucks

Start Time	TH-156 Southbound				Bryant Ave Westbound				TH-156 Northbound				Bryant Ave Eastbound				Int. Total
	Left	Thru	Rght	Bikes	Left	Thru	Rght	Bikes	Left	Thru	Rght	Bikes	Left	Thru	Rght	Bikes	
16:45	3	81	10	0	2	1	5	0	9	51	8	0	3	4	12	2	191
Total	10	381	29	1	9	5	13	1	39	324	30	0	16	6	34	8	906
17:00	4	92	7	0	5	3	0	0	18	77	3	0	2	2	11	2	226
17:15	4	103	5	1	6	2	0	0	7	69	9	2	4	2	9	1	224
17:30	3	106	4	2	7	1	2	0	13	63	4	2	5	2	14	0	228
17:45	2	81	8	1	6	1	5	1	13	56	9	0	4	0	6	1	194
Total	13	382	24	4	24	7	7	1	51	265	25	4	15	6	40	4	872
*** BREAK ***																	
Grand Total	56	2815	148	7	82	32	47	8	275	2883	125	24	143	29	305	29	7008
Apprch %	1.9	93	4.9	0.2	48.5	18.9	27.8	4.7	8.3	87.2	3.8	0.7	28.3	5.7	60.3	5.7	
Total %	0.8	40.2	2.1	0.1	1.2	0.5	0.7	0.1	3.9	41.1	1.8	0.3	2	0.4	4.4	0.4	
Cars	55	2645	136	6	81	32	47	4	266	2719	125	19	138	28	297	24	6622
% Cars	98.2	94	91.9	85.7	98.8	100	100	50	96.7	94.3	100	79.2	96.5	96.6	97.4	82.8	94.5
Trucks	1	170	12	1	1	0	0	4	9	164	0	5	5	1	8	5	386
% Trucks	1.8	6	8.1	14.3	1.2	0	0	50	3.3	5.7	0	20.8	3.5	3.4	2.6	17.2	5.5

Alliant Engineering

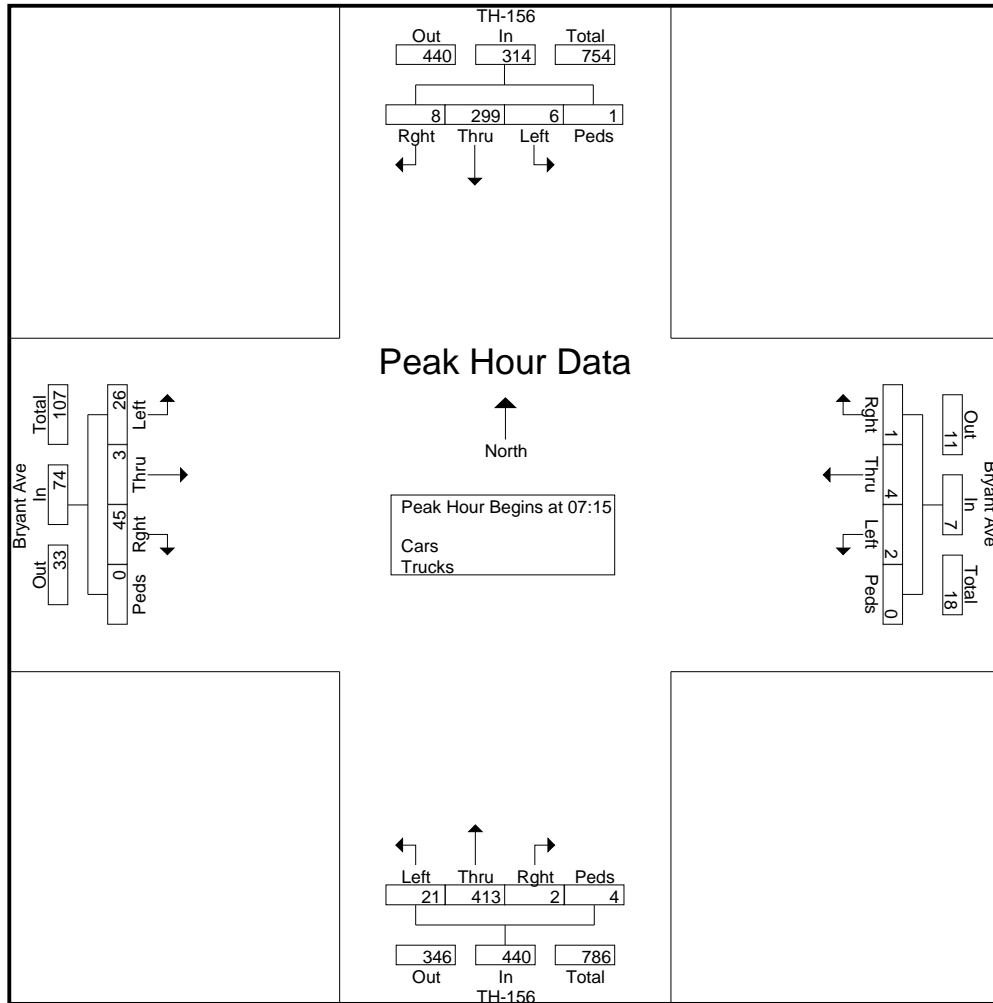
Minneapolis, MN 55415

--TRAFFIC DATA --

TH-156 at Bryant Ave.
 Ref.Pt.: 002.252
 data by Alliant Engineering
 TURN MOVEMENT COUNT

File Name : 501 - TH 156 and Bryant Ave
 Site Code : 501
 Start Date : 4/14/2015
 Page No : 3

Start Time	TH-156 Southbound					Bryant Ave Westbound					TH-156 Northbound					Bryant Ave Eastbound					Int. Total
	Left	Thru	Rght	Bikes	App. Total	Left	Thru	Rght	Bikes	App. Total	Left	Thru	Rght	Bikes	App. Total	Left	Thru	Rght	Bikes	App. Total	
Peak Hour Analysis From 06:00 to 11:45 - Peak 1 of 1																					
Peak Hour for Entire Intersection Begins at 07:15																					
07:15	3	76	2	0	81	1	0	1	0	2	3	82	0	3	88	6	0	5	0	11	182
07:30	0	72	1	0	73	1	2	0	0	3	6	132	0	1	139	8	0	9	0	17	232
07:45	1	75	3	0	79	0	1	0	0	1	9	121	0	0	130	6	1	21	0	28	238
08:00	2	76	2	1	81	0	1	0	0	1	3	78	2	0	83	6	2	10	0	18	183
Total Volume	6	299	8	1	314	2	4	1	0	7	21	413	2	4	440	26	3	45	0	74	835
% App. Total	1.9	95.2	2.5	0.3		28.6	57.1	14.3	0		4.8	93.9	0.5	0.9		35.1	4.1	60.8	0		
PHF	.500	.984	.667	.250	.969	.500	.500	.250	.000	.583	.583	.782	.250	.333	.791	.813	.375	.536	.000	.661	.877



Alliant Engineering

Minneapolis, MN 55415

--TRAFFIC DATA --

TH-156 at Bryant Ave.
 Ref.Pt.: 002.252
 data by Alliant Engineering
 TURN MOVEMENT COUNT

File Name : 501 - TH 156 and Bryant Ave
 Site Code : 501
 Start Date : 4/14/2015
 Page No : 4

Start Time	TH-156 Southbound					Bryant Ave Westbound					TH-156 Northbound					Bryant Ave Eastbound					Int. Total
	Left	Thru	Rght	Bikes	App. Total	Left	Thru	Rght	Bikes	App. Total	Left	Thru	Rght	Bikes	App. Total	Left	Thru	Rght	Bikes	App. Total	
Peak Hour Analysis From 12:00 to 18:00 - Peak 1 of 1																					
Peak Hour for Entire Intersection Begins at 15:30																					
15:30	3	95	7	0	105	3	0	3	0	6	8	104	2	0	114	2	0	11	0	13	238
15:45	1	81	4	0	86	1	0	1	0	2	18	97	1	2	118	3	1	11	0	15	221
16:00	2	93	7	0	102	3	0	1	0	4	8	101	9	0	118	5	1	6	0	12	236
16:15	1	103	7	1	112	1	1	4	0	6	7	98	4	0	109	6	1	8	4	19	246
Total Volume	7	372	25	1	405	8	1	9	0	18	41	400	16	2	459	16	3	36	4	59	941
% App. Total	1.7	91.9	6.2	0.2		44.4	5.6	50	0		8.9	87.1	3.5	0.4		27.1	5.1	61	6.8		
PHF	.583	.903	.893	.250	.904	.667	.250	.563	.000	.750	.569	.962	.444	.250	.972	.667	.750	.818	.250	.776	.956

