

MINNESOTA DEPARTMENT of TRANSPORTATION
DATA COLLECTION UNIT

TH-3 at CSAH-47_2019
 Ref Pt: 014+00.931
 Data Prepared By: ACS
 TURNING MOVEMENT COUNT

File Name : TH-3 at CSAH-47_2019
 Site Code :
 Start Date : 12/4/2019
 Page No : 1

TRUCKS ONLY

Groups Printed- Trucks

Start Time	TH-3 South Bound				CSAH-47 West Bound				TH-3 North Bound				East Bound				Int. Total
	Right	Thru	Left	Peds	Right	Thru	Left	Peds	Right	Thru	Left	Peds	Right	Thru	Left	Peds	
06:00 AM	0	0	0	0	0	0	5	0	7	1	0	0	0	0	0	0	13
06:15 AM	0	2	0	0	1	0	3	0	5	0	0	0	0	0	0	0	11
06:30 AM	0	4	0	0	0	0	2	0	9	1	0	0	0	0	0	0	16
06:45 AM	0	1	0	0	0	0	2	0	6	6	0	0	0	0	0	0	15
Total	0	7	0	0	1	0	12	0	27	8	0	0	0	0	0	0	55
07:00 AM	0	3	0	0	0	0	2	0	1	2	0	0	0	0	0	0	8
07:15 AM	0	2	1	0	0	0	1	0	6	4	0	0	0	0	0	0	14
07:30 AM	0	4	0	0	0	0	3	0	5	11	0	0	0	0	0	0	23
07:45 AM	0	5	0	0	0	0	5	0	4	3	0	0	0	0	0	0	17
Total	0	14	1	0	0	0	11	0	16	20	0	0	0	0	0	0	62
08:00 AM	0	7	0	0	0	0	8	0	1	4	0	0	0	0	0	0	20
08:15 AM	0	6	0	0	1	0	10	0	6	9	0	0	0	0	0	0	32
08:30 AM	0	2	0	0	1	0	2	0	4	10	0	0	0	0	0	0	19
08:45 AM	0	4	0	0	0	0	7	0	2	6	0	0	0	0	0	0	19
Total	0	19	0	0	2	0	27	0	13	29	0	0	0	0	0	0	90
09:00 AM	0	6	0	0	0	0	6	0	7	6	0	0	0	0	0	0	25
09:15 AM	0	14	0	0	1	0	9	0	2	7	0	0	0	0	0	0	33
09:30 AM	0	6	0	0	0	0	3	0	8	10	0	0	0	0	0	0	27
09:45 AM	0	6	0	0	1	0	3	0	4	5	0	0	0	0	0	0	19
Total	0	32	0	0	2	0	21	0	21	28	0	0	0	0	0	0	104
10:00 AM	0	7	0	0	1	0	6	0	4	3	0	0	0	0	0	0	21
10:15 AM	0	4	0	0	0	0	13	0	7	4	0	0	0	0	0	0	28
10:30 AM	0	8	1	0	0	0	5	0	8	5	0	0	0	0	0	0	27
10:45 AM	0	6	1	0	0	0	7	0	6	6	0	0	0	0	0	0	26
Total	0	25	2	0	1	0	31	0	25	18	0	0	0	0	0	0	102
11:00 AM	0	6	0	0	0	0	4	0	6	5	0	0	0	0	0	0	21
11:15 AM	0	5	0	0	0	0	7	0	3	5	0	0	0	0	0	0	20
11:30 AM	0	3	1	0	0	0	13	0	8	7	0	0	0	0	0	0	32
11:45 AM	0	10	0	0	0	0	5	0	7	0	0	0	0	0	0	0	22
Total	0	24	1	0	0	0	29	0	24	17	0	0	0	0	0	0	95
12:00 PM	0	4	0	0	0	0	2	0	3	10	0	0	0	0	0	0	19
12:15 PM	0	5	0	0	0	0	9	0	10	5	0	0	0	0	0	0	29
12:30 PM	0	1	0	0	1	0	8	0	9	5	0	0	0	0	0	0	24
12:45 PM	0	3	0	0	0	0	7	0	10	3	0	0	0	0	0	0	23
Total	0	13	0	0	1	0	26	0	32	23	0	0	0	0	0	0	95
01:00 PM	0	5	0	0	1	0	7	0	6	7	0	0	0	0	0	0	26
01:15 PM	0	6	1	0	1	0	5	0	7	5	0	0	0	0	0	0	25
01:30 PM	0	5	1	0	1	0	7	0	5	6	0	0	0	0	0	0	25
01:45 PM	0	11	0	0	1	0	7	0	4	3	0	0	0	0	0	0	26
Total	0	27	2	0	4	0	26	0	22	21	0	0	0	0	0	0	102
02:00 PM	0	3	1	0	0	0	6	0	8	4	0	0	0	0	0	0	22

MINNESOTA DEPARTMENT of TRANSPORTATION
DATA COLLECTION UNIT

TH-3 at CSAH-47_2019
 Ref Pt: 014+00.931
 Data Prepared By: ACS
 TURNING MOVEMENT COUNT

File Name : TH-3 at CSAH-47_2019
 Site Code :
 Start Date : 12/4/2019
 Page No : 2

Groups Printed- Trucks

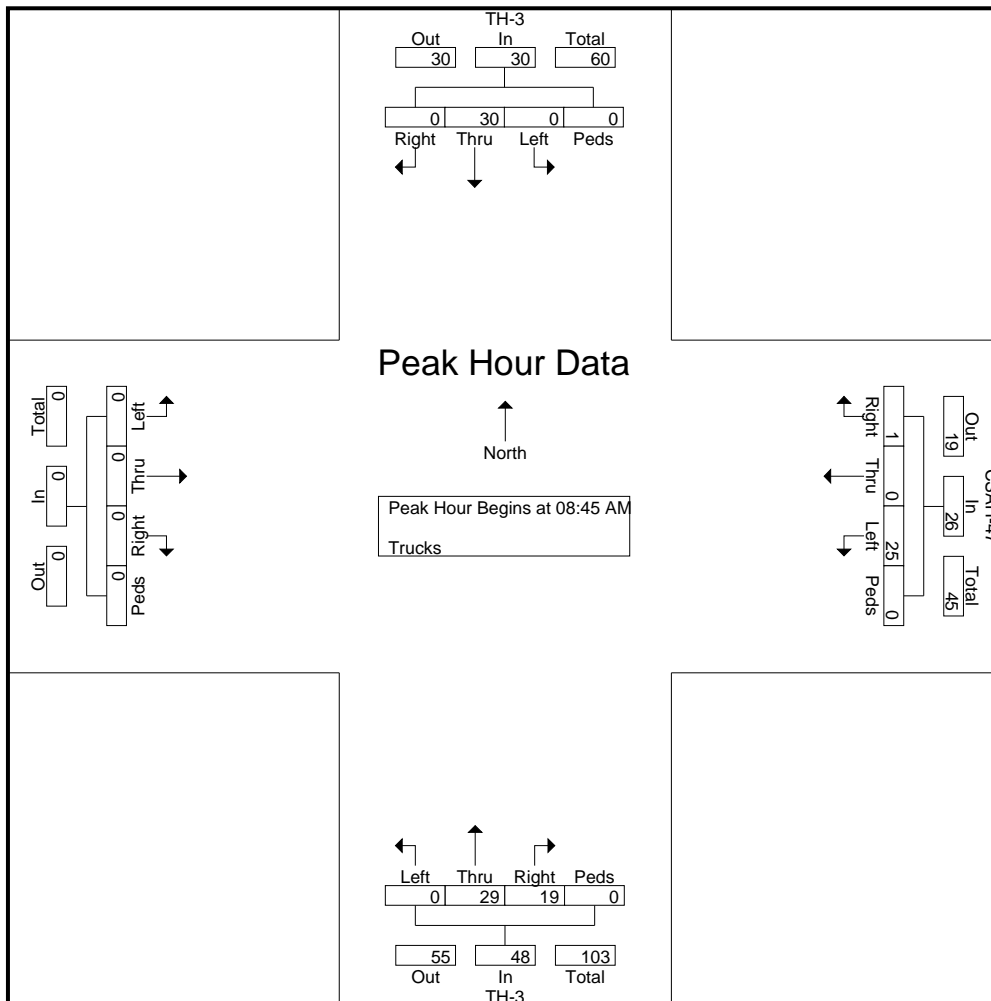
Start Time	TH-3 South Bound				CSAH-47 West Bound				TH-3 North Bound				East Bound				Int. Total
	Right	Thru	Left	Peds	Right	Thru	Left	Peds	Right	Thru	Left	Peds	Right	Thru	Left	Peds	
02:15 PM	0	6	0	0	0	0	9	0	4	13	0	0	0	0	0	0	32
02:30 PM	0	6	0	0	1	0	8	0	5	11	0	0	0	0	0	0	31
02:45 PM	0	2	1	0	1	0	9	0	7	4	0	0	0	0	0	0	24
Total	0	17	2	0	2	0	32	0	24	32	0	0	0	0	0	0	109
03:00 PM	0	5	0	0	2	0	5	0	8	1	0	0	0	0	0	0	21
03:15 PM	0	3	0	0	0	0	8	0	4	4	0	0	0	0	0	0	19
03:30 PM	0	2	0	0	1	0	8	0	6	7	0	0	0	0	0	0	24
03:45 PM	0	2	1	0	0	0	5	0	7	2	0	0	0	0	0	0	17
Total	0	12	1	0	3	0	26	0	25	14	0	0	0	0	0	0	81
04:00 PM	0	4	0	0	0	0	5	0	5	0	0	0	0	0	0	0	14
04:15 PM	0	4	1	0	1	0	7	0	8	1	0	0	0	0	0	0	22
04:30 PM	0	5	0	0	0	0	5	0	6	4	0	0	0	0	0	0	20
04:45 PM	0	0	0	0	1	0	1	0	8	1	0	0	0	0	0	0	11
Total	0	13	1	0	2	0	18	0	27	6	0	0	0	0	0	0	67
05:00 PM	0	1	1	0	0	0	2	0	4	2	0	0	0	0	0	0	10
05:15 PM	0	0	0	0	1	0	3	0	3	4	0	0	0	0	0	0	11
05:30 PM	0	1	1	0	0	0	7	0	0	0	0	0	0	0	0	0	9
05:45 PM	0	4	1	0	0	0	1	0	2	1	0	0	0	0	0	0	9
Total	0	6	3	0	1	0	13	0	9	7	0	0	0	0	0	0	39
Grand Total	0	209	13	0	19	0	272	0	265	223	0	0	0	0	0	0	1001
Apprch %	0	94.1	5.9	0	6.5	0	93.5	0	54.3	45.7	0	0	0	0	0	0	
Total %	0	20.9	1.3	0	1.9	0	27.2	0	26.5	22.3	0	0	0	0	0	0	

MINNESOTA DEPARTMENT of TRANSPORTATION
DATA COLLECTION UNIT

TH-3 at CSAH-47_2019
Ref Pt: 014+00.931
Data Prepared By: ACS
TURNING MOVEMENT COUNT

File Name : TH-3 at CSAH-47_2019
Site Code :
Start Date : 12/4/2019
Page No : 3

Start Time	TH-3 South Bound					CSAH-47 West Bound					TH-3 North Bound					East Bound					Int. Total	
	Right	Thru	Left	Peds	App. Total	Right	Thru	Left	Peds	App. Total	Right	Thru	Left	Peds	App. Total	Right	Thru	Left	Peds	App. Total		
Peak Hour Analysis From 06:00 AM to 11:45 AM - Peak 1 of 1																						
Peak Hour for Entire Intersection Begins at 08:45 AM																						
08:45 AM	0	4	0	0	4	0	0	7	0	7	2	6	0	0	8	0	0	0	0	0	0	19
09:00 AM	0	6	0	0	6	0	0	6	0	6	7	6	0	0	13	0	0	0	0	0	0	25
09:15 AM	0	14	0	0	14	1	0	9	0	10	2	7	0	0	9	0	0	0	0	0	0	33
09:30 AM	0	6	0	0	6	0	0	3	0	3	8	10	0	0	18	0	0	0	0	0	0	27
Total Volume	0	30	0	0	30	1	0	25	0	26	19	29	0	0	48	0	0	0	0	0	0	104
% App. Total	0	100	0	0		3.8	0	96.2	0		39.6	60.4	0	0		0	0	0	0	0		
PHF	.000	.536	.000	.000	.536	.250	.000	.694	.000	.650	.594	.725	.000	.000	.667	.000	.000	.000	.000	.000	.000	.788



MINNESOTA DEPARTMENT of TRANSPORTATION
DATA COLLECTION UNIT

TH-3 at CSAH-47_2019
Ref Pt: 014+00.931
Data Prepared By: ACS
TURNING MOVEMENT COUNT

File Name : TH-3 at CSAH-47_2019
Site Code :
Start Date : 12/4/2019
Page No : 4

Start Time	TH-3 South Bound					CSAH-47 West Bound					TH-3 North Bound					East Bound					Int. Total	
	Right	Thru	Left	Peds	App. Total	Right	Thru	Left	Peds	App. Total	Right	Thru	Left	Peds	App. Total	Right	Thru	Left	Peds	App. Total		
Peak Hour Analysis From 12:00 PM to 05:45 PM - Peak 1 of 1																						
Peak Hour for Entire Intersection Begins at 01:45 PM																						
01:45 PM	0	11	0	0	11	1	0	7	0	8	4	3	0	0	7	0	0	0	0	0	0	26
02:00 PM	0	3	1	0	4	0	0	6	0	6	8	4	0	0	12	0	0	0	0	0	0	22
02:15 PM	0	6	0	0	6	0	0	9	0	9	4	13	0	0	17	0	0	0	0	0	0	32
02:30 PM	0	6	0	0	6	1	0	8	0	9	5	11	0	0	16	0	0	0	0	0	0	31
Total Volume	0	26	1	0	27	2	0	30	0	32	21	31	0	0	52	0	0	0	0	0	0	111
% App. Total	0	96.3	3.7	0		6.2	0	93.8	0		40.4	59.6	0	0		0	0	0	0	0		
PHF	.000	.591	.250	.000	.614	.500	.000	.833	.000	.889	.656	.596	.000	.000	.765	.000	.000	.000	.000	.000	.000	.867

