

# Alliant Engineering

Minneapolis, MN 55415

--TRAFFIC DATA --

TH-36 at Hadley Ave / CSAH-35

Ref.Pt.: 011.260

data by Alliant Engineering

TURN MOVMENT COUNT

File Name : 222 - TH 36 and Hadley Ave

Site Code : 222

Start Date : 3/17/2015

Page No : 1

Groups Printed- Cars - Trucks

Start Time	Hadley Ave Southbound				TH-36 Westbound				Hadley Ave / CSAH-35 Northbound				TH-36 Eastbound				Int. Total
	Left	Thru	Rght	Bikes	Left	Thru	Rght	Bikes	Left	Thru	Rght	Bikes	Left	Thru	Rght	Bikes	
06:00	4	4	8	0	5	153	6	0	4	4	6	0	0	54	6	0	254
06:15	4	14	6	0	7	202	10	0	29	15	11	0	2	75	6	0	381
06:30	9	13	7	0	6	260	5	0	34	17	26	0	2	109	8	0	496
06:45	9	15	10	0	10	254	21	0	24	14	12	0	4	127	8	0	508
Total	26	46	31	0	28	869	42	0	91	50	55	0	8	365	28	0	1639
07:00	13	15	10	0	6	288	11	0	37	19	18	0	1	105	10	0	533
07:15	5	12	9	0	5	288	11	0	45	12	32	0	6	156	1	0	582
07:30	11	10	11	0	16	301	21	0	37	14	28	0	11	158	9	0	627
07:45	9	18	7	0	34	321	18	0	44	35	18	0	6	186	9	0	705
Total	38	55	37	0	61	1198	61	0	163	80	96	0	24	605	29	0	2447
08:00	11	19	10	0	22	270	25	0	41	12	21	0	6	157	17	0	611
08:15	15	12	9	0	12	246	22	0	26	14	12	0	10	186	9	0	573
08:30	18	11	16	0	11	224	22	0	27	22	28	0	8	163	8	0	558
08:45	13	7	3	0	9	234	22	0	28	17	13	0	10	175	10	0	541
Total	57	49	38	0	54	974	91	0	122	65	74	0	34	681	44	0	2283
09:00	13	11	6	0	13	145	27	0	34	15	16	0	17	118	11	0	426
09:15	10	12	9	0	5	180	27	0	26	15	7	0	18	141	15	0	465
*** BREAK ***																	
Total	23	23	15	0	18	325	54	0	60	30	23	0	35	259	26	0	891
*** BREAK ***																	
10:30	12	14	11	0	15	123	40	0	22	12	13	0	30	120	8	0	420
10:45	27	9	16	0	15	144	71	0	24	17	16	0	39	142	7	0	527
Total	39	23	27	0	30	267	111	0	46	29	29	0	69	262	15	0	947
11:00	27	15	25	1	14	143	64	0	14	15	11	0	27	112	6	0	474
11:15	27	21	33	1	13	149	58	0	6	17	8	0	14	93	7	0	447
11:30	34	13	20	0	15	127	30	0	17	23	4	0	54	130	11	0	478
11:45	44	16	18	1	7	145	39	0	14	23	8	0	32	164	12	1	524
Total	132	65	96	3	49	564	191	0	51	78	31	0	127	499	36	1	1923
12:00	23	24	23	0	9	145	34	0	16	22	6	0	26	160	12	0	500
12:15	45	28	24	0	17	117	28	0	8	15	6	0	32	161	14	0	495
12:30	45	26	28	0	10	121	38	0	11	15	5	0	29	159	12	1	500
12:45	50	22	23	0	11	170	42	0	23	17	7	0	34	157	17	0	573
Total	163	100	98	0	47	553	142	0	58	69	24	0	121	637	55	1	2068
13:00	63	22	20	0	10	112	48	0	14	14	8	0	36	175	12	3	537
13:15	42	18	19	0	12	153	33	0	13	19	10	0	32	179	5	0	535
*** BREAK ***																	
Total	105	40	39	0	22	265	81	0	27	33	18	0	68	354	17	3	1072
*** BREAK ***																	
14:30	35	27	25	0	22	148	41	0	42	24	24	0	26	252	19	0	685
14:45	35	13	12	0	27	183	37	0	27	14	18	0	33	265	17	0	681
Total	70	40	37	0	49	331	78	0	69	38	42	0	59	517	36	0	1366
15:00	49	25	27	0	24	157	42	0	14	13	22	0	36	224	31	0	664
15:15	54	22	30	0	32	158	43	0	31	24	20	0	25	308	28	0	775
15:30	40	29	32	0	22	161	37	0	32	20	22	0	25	284	28	0	732
15:45	53	29	44	2	33	143	57	0	39	29	26	0	54	259	27	0	795
Total	196	105	133	2	111	619	179	0	116	86	90	0	140	1075	114	0	2966
16:00	48	29	29	1	25	161	37	0	31	24	16	0	41	326	20	0	788
16:15	50	55	25	0	35	184	47	0	27	32	22	0	48	327	33	0	885
16:30	51	31	39	0	28	147	51	0	43	37	25	0	40	287	37	0	816

# Alliant Engineering

Minneapolis, MN 55415

--TRAFFIC DATA --

TH-36 at Hadley Ave / CSAH-35

Ref.Pt.: 011.260

data by Alliant Engineering

TURN MOVMENT COUNT

File Name : 222 - TH 36 and Hadley Ave

Site Code : 222

Start Date : 3/17/2015

Page No : 2

Groups Printed- Cars - Trucks

Start Time	Hadley Ave Southbound				TH-36 Westbound				Hadley Ave / CSAH-35 Northbound				TH-36 Eastbound				Int. Total
	Left	Thru	Rght	Bikes	Left	Thru	Rght	Bikes	Left	Thru	Rght	Bikes	Left	Thru	Rght	Bikes	
16:45	61	41	29	1	27	167	59	0	33	33	21	0	54	341	36	0	903
Total	210	156	122	2	115	659	194	0	134	126	84	0	183	1281	126	0	3392
17:00	38	28	35	0	21	172	39	0	27	19	28	0	50	319	25	0	801
17:15	46	35	28	0	39	170	39	0	38	33	21	0	22	313	39	0	823
17:30	46	34	29	0	29	142	45	0	32	31	32	0	47	268	34	0	769
17:45	42	32	32	0	28	116	38	0	24	23	19	0	41	287	42	0	724
Total	172	129	124	0	117	600	161	0	121	106	100	0	160	1187	140	0	3117
18:00	11	36	21	0	0	0	0	0	0	0	0	0	0	0	0	0	68
Grand Total	1242	867	818	7	701	7224	1385	0	1058	790	666	0	1028	7722	666	5	24179
Apprch %	42.3	29.6	27.9	0.2	7.5	77.6	14.9	0	42.1	31.4	26.5	0	10.9	82	7.1	0.1	
Total %	5.1	3.6	3.4	0	2.9	29.9	5.7	0	4.4	3.3	2.8	0	4.3	31.9	2.8	0	
Cars	1219	843	805	7	668	7050	1362	0	1035	769	640	0	1002	7505	646	3	23554
% Cars	98.1	97.2	98.4	100	95.3	97.6	98.3	0	97.8	97.3	96.1	0	97.5	97.2	97	60	97.4
Trucks	23	24	13	0	33	174	23	0	23	21	26	0	26	217	20	2	625
% Trucks	1.9	2.8	1.6	0	4.7	2.4	1.7	0	2.2	2.7	3.9	0	2.5	2.8	3	40	2.6

# Alliant Engineering

Minneapolis, MN 55415

--TRAFFIC DATA --

TH-36 at Hadley Ave / CSAH-35

Ref.Pt.: 011.260

data by Alliant Engineering

TURN MOVMENT COUNT

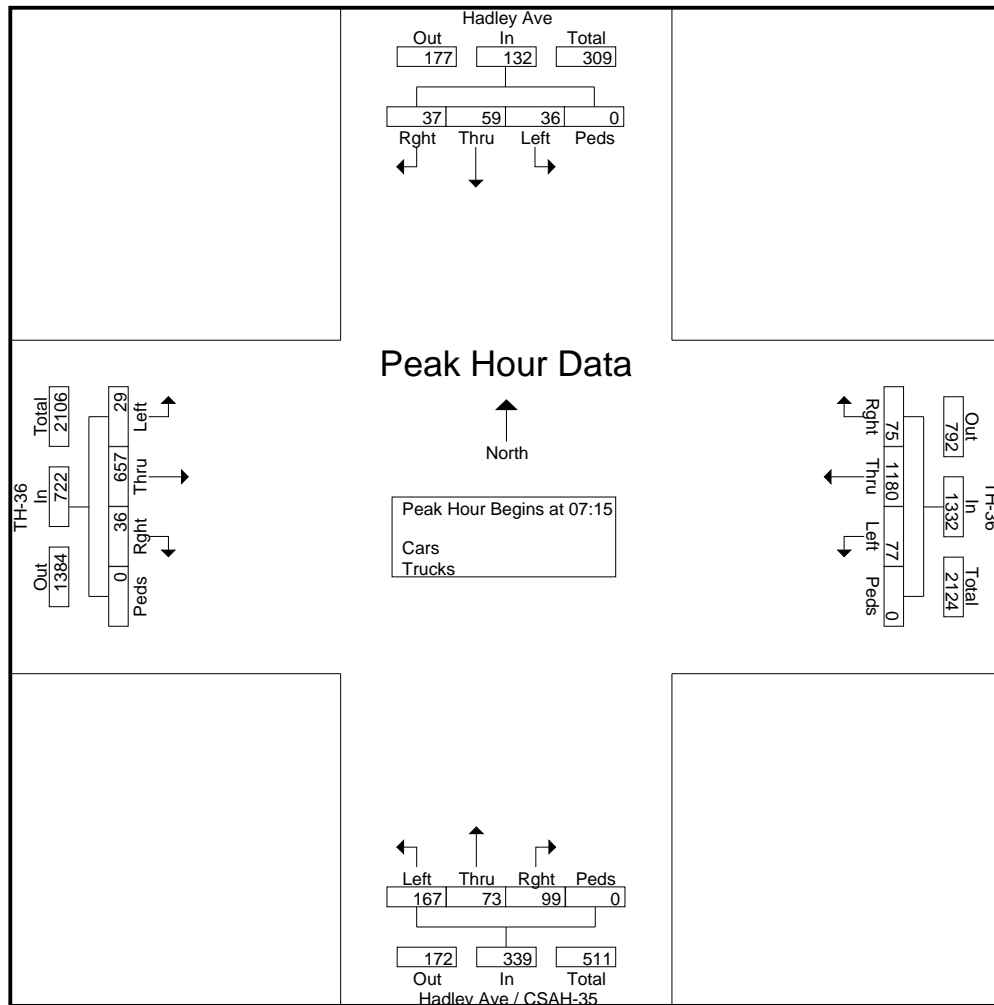
File Name : 222 - TH 36 and Hadley Ave

Site Code : 222

Start Date : 3/17/2015

Page No : 3

Start Time	Hadley Ave Southbound					TH-36 Westbound					Hadley Ave / CSAH-35 Northbound					TH-36 Eastbound					Int. Total
	Left	Thru	Right	Bikes	App. Total	Left	Thru	Right	Bikes	App. Total	Left	Thru	Right	Bikes	App. Total	Left	Thru	Right	Bikes	App. Total	
Peak Hour Analysis From 06:00 to 11:45 - Peak 1 of 1																					
Peak Hour for Entire Intersection Begins at 07:15																					
07:15	5	12	9	0	26	5	288	11	0	304	45	12	32	0	89	6	156	1	0	163	582
07:30	11	10	11	0	32	16	301	21	0	338	37	14	28	0	79	11	158	9	0	178	627
07:45	9	18	7	0	34	34	321	18	0	373	44	35	18	0	97	6	186	9	0	201	705
08:00	11	19	10	0	40	22	270	25	0	317	41	12	21	0	74	6	157	17	0	180	611
Total Volume	36	59	37	0	132	77	1180	75	0	1332	167	73	99	0	339	29	657	36	0	722	2525
% App. Total	27.3	44.7	28	0		5.8	88.6	5.6	0		49.3	21.5	29.2	0		4	91	5	0		
PHF	.818	.776	.841	.000	.825	.566	.919	.750	.000	.893	.928	.521	.773	.000	.874	.659	.883	.529	.000	.898	.895



# Alliant Engineering

Minneapolis, MN 55415

--TRAFFIC DATA --

TH-36 at Hadley Ave / CSAH-35

Ref.Pt.: 011.260

data by Alliant Engineering

TURN MOVMENT COUNT

File Name : 222 - TH 36 and Hadley Ave

Site Code : 222

Start Date : 3/17/2015

Page No : 4

Start Time	Hadley Ave Southbound					TH-36 Westbound					Hadley Ave / CSAH-35 Northbound					TH-36 Eastbound					Int. Total
	Left	Thru	Rght	Bikes	App. Total	Left	Thru	Rght	Bikes	App. Total	Left	Thru	Rght	Bikes	App. Total	Left	Thru	Rght	Bikes	App. Total	
Peak Hour Analysis From 12:00 to 18:00 - Peak 1 of 1																					
Peak Hour for Entire Intersection Begins at 16:15																					
16:15	50	55	25	0	130	35	184	47	0	266	27	32	22	0	81	48	327	33	0	408	885
16:30	51	31	39	0	121	28	147	51	0	226	43	37	25	0	105	40	287	37	0	364	816
16:45	61	41	29	1	132	27	167	59	0	253	33	33	21	0	87	54	341	36	0	431	903
17:00	38	28	35	0	101	21	172	39	0	232	27	19	28	0	74	50	319	25	0	394	801
Total Volume	200	155	128	1	484	111	670	196	0	977	130	121	96	0	347	192	1274	131	0	1597	3405
% App. Total	41.3	32	26.4	0.2		11.4	68.6	20.1	0		37.5	34.9	27.7	0		12	79.8	8.2	0		
PHF	.820	.705	.821	.250	.917	.793	.910	.831	.000	.918	.756	.818	.857	.000	.826	.889	.934	.885	.000	.926	.943

