

# MN Dept of Transportation

TRAFFIC DATA COLLECTION - Metro

TH-55 at CSAH-19

LORETTO

File Name : TH-55 at CSAH-19 LORETTO 2015

Ref.Pt.: 170.715

Site Code :

video JN

Start Date : 10/21/2015

TURN MOVEMENT COUNT

Page No : 1

Groups Printed- Cars +

Start Time	CSAH-19 Loretto Southbound				TH-55 Westbound				CSAH-19 Loretto Northbound				TH-55 Eastbound				Int. Total
	Left	Thru	Right	Peds	Left	Thru	Right	Peds	Left	Thru	Right	Peds	Left	Thru	Right	Peds	
06:00	25	26	1	0	6	12	1	0	1	6	6	0	1	226	12	0	323
06:15	64	43	1	0	2	30	7	0	3	14	11	0	2	262	21	0	460
06:30	61	60	0	0	4	27	4	0	4	16	15	0	4	280	23	0	498
06:45	90	87	5	0	8	44	8	0	7	29	12	0	3	224	30	0	547
Total	240	216	7	0	20	113	20	0	15	65	44	0	10	992	86	0	1828
07:00	69	82	4	0	13	55	7	0	11	31	12	0	5	241	33	0	563
07:15	72	91	6	0	14	35	6	0	5	28	11	0	2	209	51	0	530
07:30	60	77	3	0	23	51	10	0	12	39	7	0	3	216	54	0	555
07:45	67	108	5	0	17	24	7	0	8	26	13	0	5	192	47	0	519
Total	268	358	18	0	67	165	30	0	36	124	43	0	15	858	185	0	2167
08:00	46	86	2	0	14	30	11	0	4	19	22	0	1	140	31	0	406
08:15	49	55	0	0	7	32	10	0	4	26	19	0	4	143	34	0	383
08:30	34	38	4	0	15	31	7	0	6	34	28	0	8	121	21	0	347
08:45	29	49	9	0	9	43	12	0	6	27	18	0	3	104	15	0	324
Total	158	228	15	0	45	136	40	0	20	106	87	0	16	508	101	0	1460
***** BREAK *****																	
11:00	11	24	4	0	13	44	10	0	8	30	15	0	5	54	13	0	231
11:15	10	28	2	0	13	42	16	0	10	22	15	0	5	50	6	0	219
11:30	7	26	5	0	12	56	16	0	9	14	6	0	3	62	12	0	228
11:45	7	20	3	0	19	47	8	0	7	26	17	0	1	52	3	0	210
Total	35	98	14	0	57	189	50	0	34	92	53	0	14	218	34	0	888
12:00	7	17	5	0	18	78	13	0	9	30	18	0	3	65	7	0	270
12:15	13	21	0	0	21	63	9	0	11	23	7	0	1	55	15	0	239
12:30	3	15	4	0	18	63	16	0	7	22	10	0	2	63	7	0	230
12:45	18	15	0	0	10	79	10	0	13	24	15	0	3	62	10	0	259
Total	41	68	9	0	67	283	48	0	40	99	50	0	9	245	39	0	998
13:00	0	0	0	0	2	6	0	0	2	1	1	0	0	6	3	0	21
***** BREAK *****																	
Total	0	0	0	0	2	6	0	0	2	1	1	0	0	6	3	0	21
***** BREAK *****																	
15:00	11	28	5	0	26	141	37	0	14	38	12	0	4	62	13	0	391
15:15	12	27	3	0	23	165	31	0	23	62	11	0	8	61	11	0	437
15:30	12	32	7	0	27	151	32	0	30	58	12	0	7	61	12	0	441
15:45	22	33	5	0	21	196	33	0	23	70	11	0	3	69	12	0	498
Total	57	120	20	0	97	653	133	0	90	228	46	0	22	253	48	0	1767
16:00	12	30	7	0	23	181	31	0	33	79	10	0	0	65	11	0	482
16:15	18	20	5	0	29	207	47	0	29	80	15	0	4	71	4	0	529
16:30	10	24	3	0	15	209	57	0	28	85	9	1	7	72	7	0	527
16:45	14	30	3	0	19	229	41	0	29	74	15	0	10	77	12	0	553
Total	54	104	18	0	86	826	176	0	119	318	49	1	21	285	34	0	2091
17:00	14	40	4	0	12	205	41	0	45	86	16	0	3	60	6	0	532
17:15	14	41	8	0	26	182	48	0	34	92	12	0	6	73	14	0	550
17:30	12	34	8	0	19	191	30	0	21	94	18	0	4	49	10	0	490
17:45	9	33	10	0	21	143	42	0	44	54	9	0	6	48	11	0	430
Total	49	148	30	0	78	721	161	0	144	326	55	0	19	230	41	0	2002
Grand Total	902	1340	131	0	519	3092	658	0	500	1359	428	1	126	3595	571	0	13222
Apprch %	38	56.5	5.5	0	12.2	72.4	15.4	0	21.9	59.4	18.7	0	2.9	83.8	13.3	0	
Total %	6.8	10.1	1	0	3.9	23.4	5	0	3.8	10.3	3.2	0	1	27.2	4.3	0	

# MN Dept of Transportation

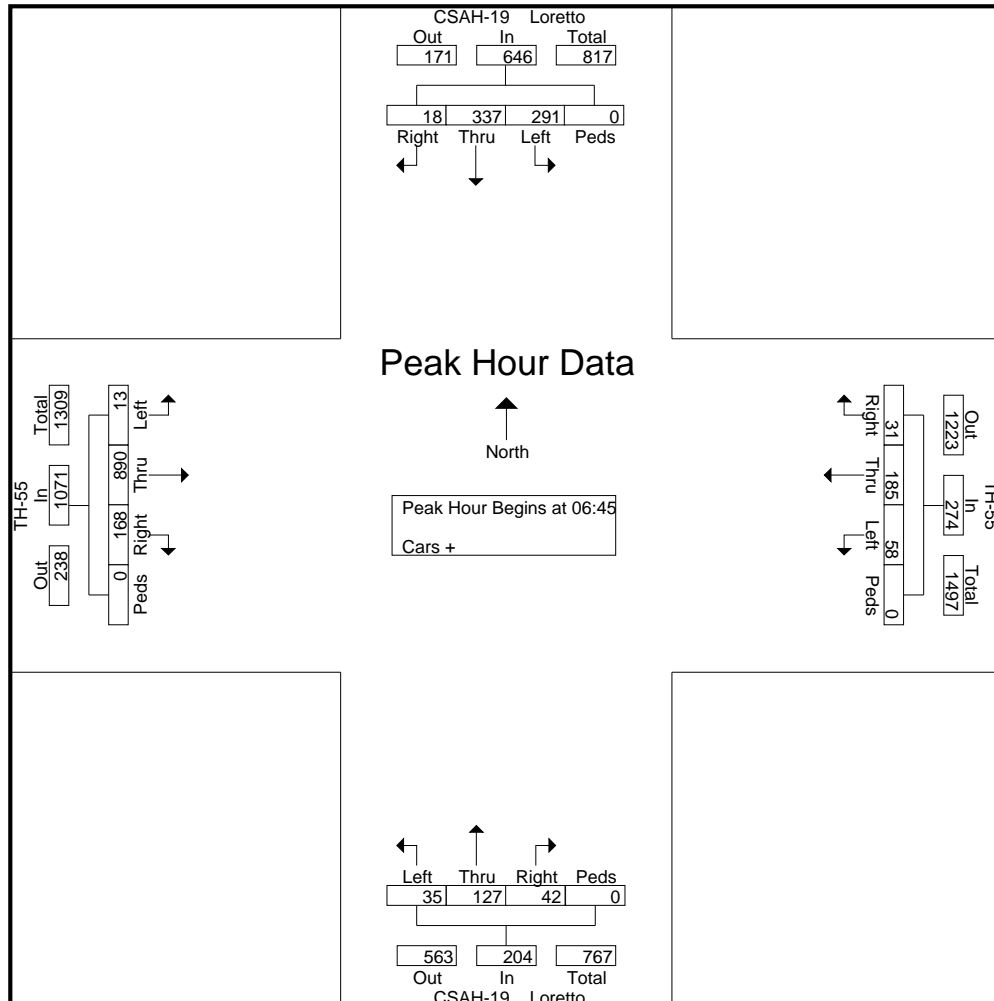
TRAFFIC DATA COLLECTION - Metro

TH-55 at CSAH-19  
 Ref.Pt.: 170.715  
 video JN  
 TURN MOVEMENT COUNT

LORETTO

File Name : TH-55 at CSAH-19 LORETTO 2015  
 Site Code :  
 Start Date : 10/21/2015  
 Page No : 2

Start Time	CSAH-19 Loretto Southbound					TH-55 Westbound					CSAH-19 Loretto Northbound					TH-55 Eastbound					Int. Total
	Left	Thru	Right	Peds	App. Total	Left	Thru	Right	Peds	App. Total	Left	Thru	Right	Peds	App. Total	Left	Thru	Right	Peds	App. Total	
Peak Hour Analysis From 06:00 to 08:45 - Peak 1 of 1																					
Peak Hour for Entire Intersection Begins at 06:45																					
06:45	90	87	5	0	182	8	44	8	0	60	7	29	12	0	48	3	224	30	0	257	547
07:00	69	82	4	0	155	13	55	7	0	75	11	31	12	0	54	5	241	33	0	279	563
07:15	72	91	6	0	169	14	35	6	0	55	5	28	11	0	44	2	209	51	0	262	530
07:30	60	77	3	0	140	23	51	10	0	84	12	39	7	0	58	3	216	54	0	273	555
Total Volume	291	337	18	0	646	58	185	31	0	274	35	127	42	0	204	13	890	168	0	1071	2195
% App. Total	45	52.2	2.8	0		21.2	67.5	11.3	0		17.2	62.3	20.6	0		1.2	83.1	15.7	0		
PHF	.808	.926	.750	.000	.887	.630	.841	.775	.000	.815	.729	.814	.875	.000	.879	.650	.923	.778	.000	.960	.975



# MN Dept of Transportation

TRAFFIC DATA COLLECTION - Metro

TH-55 at CSAH-19  
 Ref.Pt.: 170.715  
 video JN  
 TURN MOVEMENT COUNT

LORETTO

File Name : TH-55 at CSAH-19 LORETTO 2015  
 Site Code :  
 Start Date : 10/21/2015  
 Page No : 3

Start Time	CSAH-19 Loretto Southbound					TH-55 Westbound					CSAH-19 Loretto Northbound					TH-55 Eastbound					Int. Total
	Left	Thru	Right	Peds	App. Total	Left	Thru	Right	Peds	App. Total	Left	Thru	Right	Peds	App. Total	Left	Thru	Right	Peds	App. Total	
Peak Hour Analysis From 15:00 to 17:45 - Peak 1 of 1																					
Peak Hour for Entire Intersection Begins at 16:30																					
16:30	10	24	3	0	37	15	209	57	0	281	28	85	9	1	123	7	72	7	0	86	527
16:45	14	30	3	0	47	19	229	41	0	289	29	74	15	0	118	10	77	12	0	99	553
17:00	14	40	4	0	58	12	205	41	0	258	45	86	16	0	147	3	60	6	0	69	532
17:15	14	41	8	0	63	26	182	48	0	256	34	92	12	0	138	6	73	14	0	93	550
Total Volume	52	135	18	0	205	72	825	187	0	1084	136	337	52	1	526	26	282	39	0	347	2162
% App. Total	25.4	65.9	8.8	0		6.6	76.1	17.3	0		25.9	64.1	9.9	0.2		7.5	81.3	11.2	0		
PHF	.929	.823	.563	.000	.813	.692	.901	.820	.000	.938	.756	.916	.813	.250	.895	.650	.916	.696	.000	.876	.977

