



MINNESOTA DEPT OF TRANSPORTATION

TRAFFIC DATA COLLECTION - METRO

Counted By: Arlene & Ann
 Day of the Week: Thursday
 Location: TH 55 & Xenium
 Project #: 5764

File Name : TH 55 @ XENIUM LANE N 2006
 Site Code : 07271312
 Start Date : 7/27/2006
 Page No : 1

Groups Printed- Unshifted

Start Time	Xenium Lane N Southbound					TH 55 Westbound					Xenium Lane N Northbound					TH 55 Eastbound					Int. Total
	Left	Thru	Right	Peds	App. Total	Left	Thru	Right	Peds	App. Total	Left	Thru	Right	Peds	App. Total	Left	Thru	Right	Peds	App. Total	
06:00	34	38	15	0	87	5	63	17	0	85	4	13	0	0	17	34	170	38	0	242	431
06:15	43	59	30	0	132	10	57	32	0	99	6	10	2	0	18	44	198	43	0	285	534
06:30	66	67	35	0	168	7	109	25	0	141	3	10	1	0	14	59	291	57	0	407	730
06:45	77	94	36	0	207	12	108	47	0	167	10	31	3	0	44	84	331	107	0	522	940
Total	220	258	116	0	594	34	337	121	0	492	23	64	6	0	93	221	990	245	0	1456	2635
07:00	93	133	43	0	269	7	92	47	0	146	14	50	5	0	69	97	361	116	0	574	1058
07:15	107	151	51	0	309	12	134	53	0	199	15	30	4	0	49	90	389	125	0	604	1161
07:30	126	188	54	0	368	21	116	36	0	173	34	55	15	0	104	103	480	122	0	705	1350
07:45	106	204	50	0	360	13	167	49	0	229	26	53	11	0	90	142	447	102	0	691	1370
Total	432	676	198	0	1306	53	509	185	0	747	89	188	35	0	312	432	1677	465	0	2574	4939
08:00	94	136	61	0	291	11	132	69	0	212	13	59	4	0	76	139	328	93	0	560	1139
08:15	92	139	46	0	277	26	134	33	0	193	11	46	13	0	70	98	316	88	0	502	1042
08:30	58	97	43	0	198	16	141	49	0	206	16	52	11	0	79	102	264	57	0	423	906
08:45	64	69	56	0	189	16	142	36	0	194	18	37	12	0	67	112	248	73	0	433	883
Total	308	441	206	0	955	69	549	187	0	805	58	194	40	0	292	451	1156	311	0	1918	3970
11:00	34	52	79	0	165	12	187	51	0	250	65	79	7	0	151	82	155	43	0	280	846
11:15	60	53	104	0	217	22	152	33	0	207	47	65	17	0	129	94	161	52	0	307	860
11:30	50	64	125	0	239	15	205	37	0	257	80	74	18	0	172	89	151	46	0	286	954
11:45	45	93	132	0	270	15	165	33	0	213	48	101	16	0	165	112	178	70	0	360	1008
Total	189	262	440	0	891	64	709	154	0	927	240	319	58	0	617	377	645	211	0	1233	3668
12:00	56	93	108	0	257	15	236	29	0	280	84	125	14	0	223	108	149	64	0	321	1081
12:15	50	85	112	0	247	23	179	25	0	227	63	88	12	0	163	115	168	59	0	342	979
12:30	51	102	124	0	277	14	178	43	0	235	63	122	14	0	199	115	147	69	0	331	1042
12:45	55	97	102	0	254	10	178	42	0	230	44	77	15	0	136	142	219	77	0	438	1058
Total	212	377	446	0	1035	62	771	139	0	972	254	412	55	0	721	480	683	269	0	1432	4160
15:00	37	51	102	0	190	19	220	20	0	259	75	88	12	0	175	68	158	22	0	248	872
15:15	50	54	80	0	184	18	264	52	0	334	52	92	10	0	154	105	155	40	0	300	972
15:30	51	44	79	0	174	13	264	59	0	336	116	149	21	0	286	109	202	43	0	354	1150
15:45	60	60	84	0	204	9	278	45	0	332	75	123	12	0	210	99	149	34	0	282	1028
Total	198	209	345	0	752	59	1026	176	0	1261	318	452	55	0	825	381	664	139	0	1184	4022
16:00	50	50	100	0	200	12	325	54	0	391	98	150	12	0	260	73	216	34	0	323	1174
16:15	47	57	104	0	208	17	289	63	0	369	68	139	1	0	208	56	160	31	0	247	1032
16:30	82	67	119	0	268	39	303	39	0	381	87	195	11	0	293	75	192	32	0	299	1241
16:45	55	49	89	0	193	13	349	34	0	396	75	155	7	0	237	62	193	35	1	291	1117
Total	234	223	412	0	869	81	1266	190	0	1537	328	639	31	0	998	266	761	132	1	1160	4564
17:00	99	71	137	0	307	9	309	75	0	393	73	197	13	0	283	96	203	30	0	329	1312
17:15	75	56	96	0	227	16	349	76	0	441	78	201	16	0	295	81	213	28	1	323	1286
17:30	53	50	73	0	176	12	315	50	0	377	53	125	28	0	206	82	197	26	0	305	1064
17:45	53	58	79	0	190	16	319	69	0	404	61	120	10	0	191	96	182	29	0	307	1092
Total	280	235	385	0	900	53	1292	270	0	1615	265	643	67	0	975	355	795	113	1	1264	4754
Grand Total	2073	2681	2548	0	7302	475	6459	1422	0	8356	1575	2911	347	0	4833	2963	7371	1885	2	12221	32712
Apprch %	28.4	36.7	34.9	0		5.7	77.3	17	0		32.6	60.2	7.2	0		24.2	60.3	15.4	0		
Total %	6.3	8.2	7.8	0	22.3	1.5	19.7	4.3	0	25.5	4.8	8.9	1.1	0	14.8	9.1	22.5	5.8	0	37.4	



MINNESOTA DEPT OF TRANSPORTATION

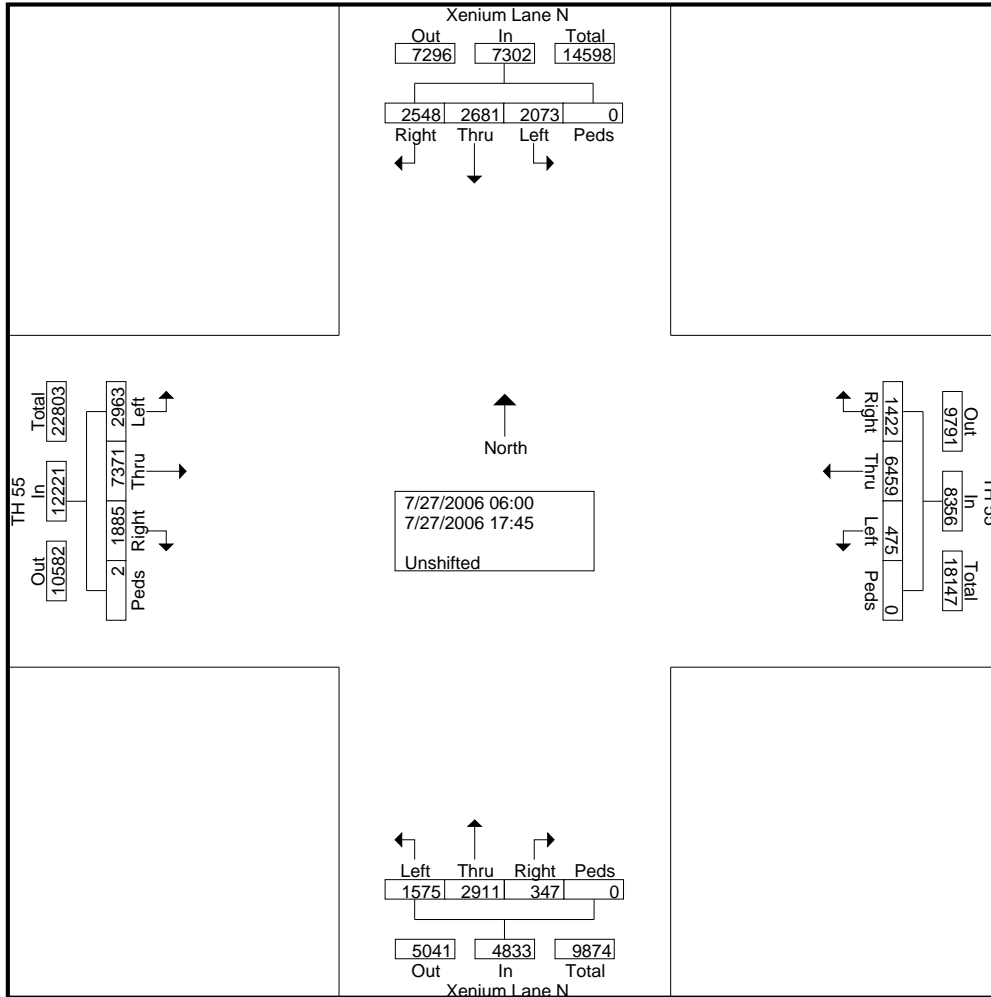
TRAFFIC DATA COLLECTION - METRO

File Name : TH 55 @ XENIUM LANE N 2006

Site Code : 07271312

Start Date : 7/27/2006

Page No : 2



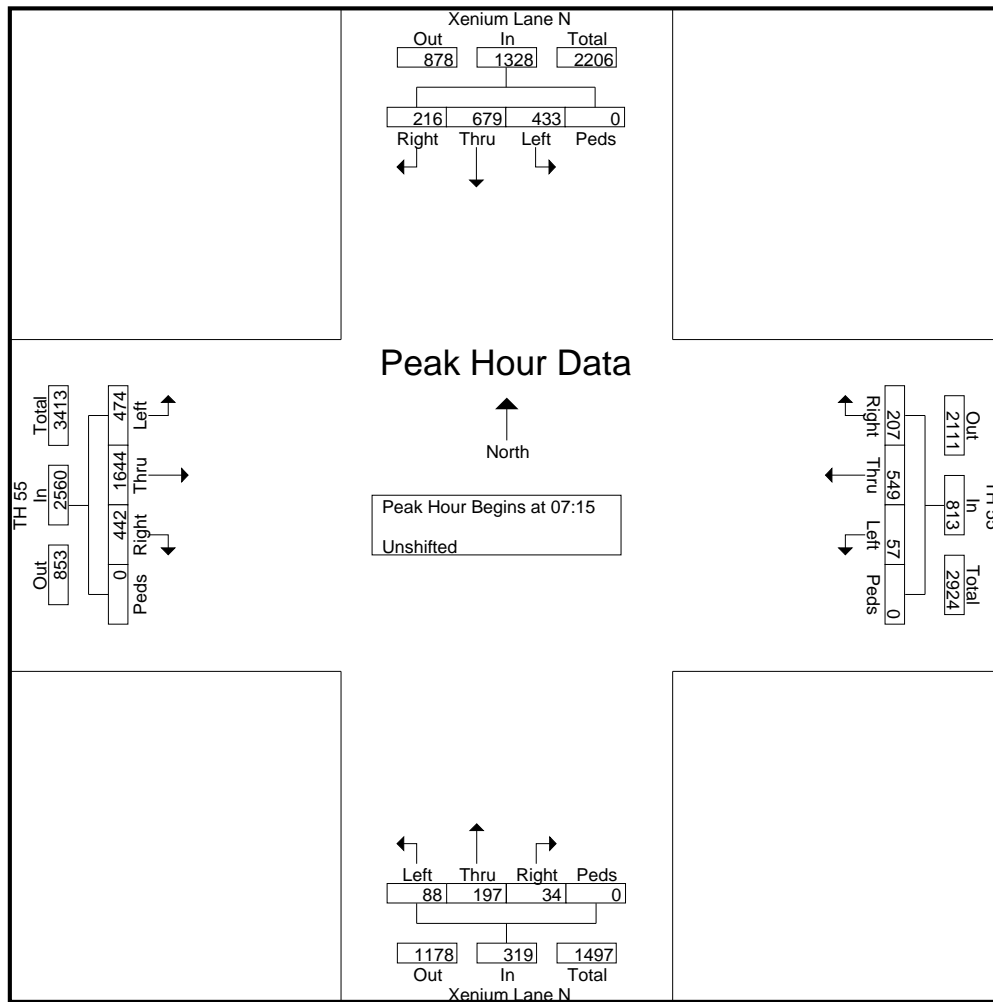


MINNESOTA DEPT OF TRANSPORTATION

TRAFFIC DATA COLLECTION - METRO

File Name : TH 55 @ XENIUM LANE N 2006
 Site Code : 07271312
 Start Date : 7/27/2006
 Page No : 3

Start Time	Xenium Lane N Southbound					TH 55 Westbound					Xenium Lane N Northbound					TH 55 Eastbound					Int. Total
	Left	Thru	Right	Peds	App. Total	Left	Thru	Right	Peds	App. Total	Left	Thru	Right	Peds	App. Total	Left	Thru	Right	Peds	App. Total	
Peak Hour Analysis From 06:00 to 09:45 - Peak 1 of 1																					
Peak Hour for Entire Intersection Begins at 07:15																					
07:15	107	151	51	0	309	12	134	53	0	199	15	30	4	0	49	90	389	125	0	604	1161
07:30	126	188	54	0	368	21	116	36	0	173	34	55	15	0	104	103	480	122	0	705	1350
07:45	106	204	50	0	360	13	167	49	0	229	26	53	11	0	90	142	447	102	0	691	1370
08:00	94	136	61	0	291	11	132	69	0	212	13	59	4	0	76	139	328	93	0	560	1139
Total Volume	433	679	216	0	1328	57	549	207	0	813	88	197	34	0	319	474	1644	442	0	2560	5020
% App. Total	32.6	51.1	16.3	0		7	67.5	25.5	0		27.6	61.8	10.7	0		18.5	64.2	17.3	0		
PHF	.859	.832	.885	.000	.902	.679	.822	.750	.000	.888	.647	.835	.567	.000	.767	.835	.856	.884	.000	.908	.916





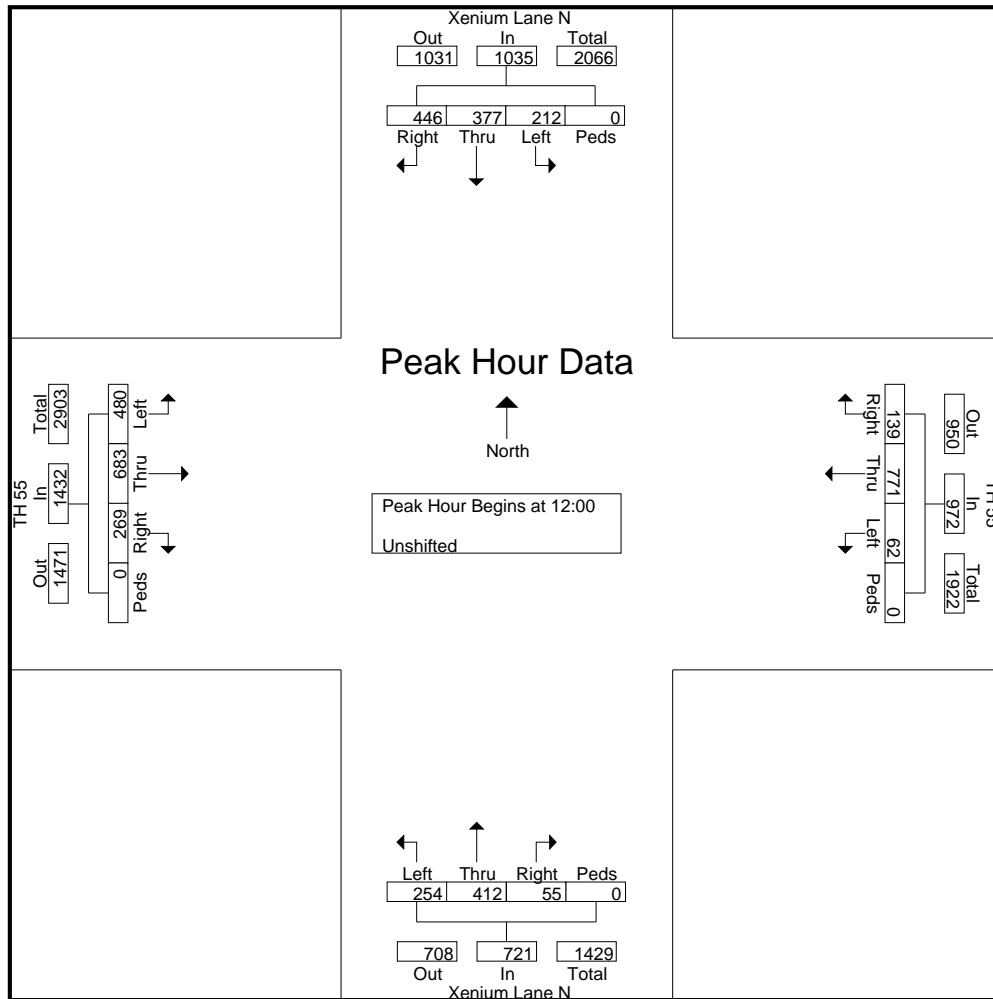
MINNESOTA DEPT OF TRANSPORTATION

TRAFFIC DATA COLLECTION - METRO

File Name : TH 55 @ XENIUM LANE N 2006
 Site Code : 07271312
 Start Date : 7/27/2006
 Page No : 4

Start Time	Xenium Lane N Southbound					TH 55 Westbound					Xenium Lane N Northbound					TH 55 Eastbound					Int. Total
	Left	Thru	Right	Peds	App. Total	Left	Thru	Right	Peds	App. Total	Left	Thru	Right	Peds	App. Total	Left	Thru	Right	Peds	App. Total	
12:00	56	93	108	0	257	15	236	29	0	280	84	125	14	0	223	108	149	64	0	321	1081
12:15	50	85	112	0	247	23	179	25	0	227	63	88	12	0	163	115	168	59	0	342	979
12:30	51	102	124	0	277	14	178	43	0	235	63	122	14	0	199	115	147	69	0	331	1042
12:45	55	97	102	0	254	10	178	42	0	230	44	77	15	0	136	142	219	77	0	438	1058
Total Volume	212	377	446	0	1035	62	771	139	0	972	254	412	55	0	721	480	683	269	0	1432	4160
% App. Total	20.5	36.4	43.1	0		6.4	79.3	14.3	0		35.2	57.1	7.6	0		33.5	47.7	18.8	0		
PHF	.946	.924	.899	.000	.934	.674	.817	.808	.000	.868	.756	.824	.917	.000	.808	.845	.780	.873	.000	.817	.962

Peak Hour Analysis From 10:00 to 13:45 - Peak 1 of 1
 Peak Hour for Entire Intersection Begins at 12:00





MINNESOTA DEPT OF TRANSPORTATION

TRAFFIC DATA COLLECTION - METRO

File Name : TH 55 @ XENIUM LANE N 2006
 Site Code : 07271312
 Start Date : 7/27/2006
 Page No : 5

Start Time	Xenium Lane N Southbound					TH 55 Westbound					Xenium Lane N Northbound					TH 55 Eastbound					Int. Total
	Left	Thru	Right	Peds	App. Total	Left	Thru	Right	Peds	App. Total	Left	Thru	Right	Peds	App. Total	Left	Thru	Right	Peds	App. Total	
16:30	82	67	119	0	268	39	303	39	0	381	87	195	11	0	293	75	192	32	0	299	1241
16:45	55	49	89	0	193	13	349	34	0	396	75	155	7	0	237	62	193	35	1	291	1117
17:00	99	71	137	0	307	9	309	75	0	393	73	197	13	0	283	96	203	30	0	329	1312
17:15	75	56	96	0	227	16	349	76	0	441	78	201	16	0	295	81	213	28	1	323	1286
Total Volume	311	243	441	0	995	77	1310	224	0	1611	313	748	47	0	1108	314	801	125	2	1242	4956
% App. Total	31.3	24.4	44.3	0		4.8	81.3	13.9	0		28.2	67.5	4.2	0		25.3	64.5	10.1	0.2		
PHF	.785	.856	.805	.000	.810	.494	.938	.737	.000	.913	.899	.930	.734	.000	.939	.818	.940	.893	.500	.944	.944

Peak Hour Analysis From 14:00 to 17:45 - Peak 1 of 1
 Peak Hour for Entire Intersection Begins at 16:30

