

# Alliant Engineering, Inc.

233 Park Ave Suite 300  
 Minneapolis, MN 55415

--TRAFFIC DATA--

Winnetka Avenue and Golden Valley Road  
 Ref.Pt.: 185.055  
 data by : Alliant Inc.  
 TURN MOVEMENT COUNT

File Name : 571\_Winnetka Ave & Golden Valley Rd  
 Site Code : 571\_\_\_\_\_  
 Start Date : 2/21/2018  
 Page No : 1

## Groups Printed- Class 1 - Class 2

Start Time	Winnetka Ave From North					Golden Valley Rd From East					Winnetka Ave From South					Golden Valley Rd From West					Int. Total
	Other	Rght	Thru	Left	App. Total	Other	Rght	Thru	Left	App. Total	Other	Rght	Thru	Left	App. Total	Other	Rght	Thru	Left	App. Total	
06:00 AM	0	4	30	9	43	0	0	5	1	6	0	1	12	0	13	0	2	9	1	12	74
06:15 AM	0	3	52	8	63	0	2	7	4	13	0	5	24	5	34	0	4	5	1	10	120
06:30 AM	0	3	82	14	99	0	5	7	9	21	0	4	26	4	34	0	10	6	3	19	173
06:45 AM	0	4	96	13	113	0	2	11	6	19	0	5	23	7	35	0	12	9	3	24	191
Total	0	14	260	44	318	0	9	30	20	59	0	15	85	16	116	0	28	29	8	65	558
07:00 AM	0	7	131	16	154	0	4	15	11	30	0	3	36	5	44	0	14	7	3	24	252
07:15 AM	0	12	116	25	153	0	4	20	10	34	0	0	40	9	49	0	11	13	2	26	262
07:30 AM	0	9	130	24	163	0	5	27	8	40	0	3	57	5	65	0	18	22	2	42	310
07:45 AM	0	15	129	33	177	0	7	29	9	45	0	2	55	7	64	0	21	27	3	51	337
Total	0	43	506	98	647	0	20	91	38	149	0	8	188	26	222	0	64	69	10	143	1161
08:00 AM	0	10	137	33	180	0	7	32	6	45	0	4	58	12	74	0	17	27	6	50	349
08:15 AM	0	14	166	27	207	0	8	22	12	42	0	4	53	11	68	0	15	20	7	42	359
08:30 AM	0	16	192	35	243	0	6	31	15	52	0	1	62	11	74	0	23	23	5	51	420
08:45 AM	0	17	184	32	233	0	8	38	8	54	0	1	64	7	72	0	21	21	9	51	410
Total	0	57	679	127	863	0	29	123	41	193	0	10	237	41	288	0	76	91	27	194	1538
09:00 AM	0	6	123	23	152	1	15	30	15	61	0	4	62	9	75	1	11	25	6	43	331
09:15 AM	0	10	103	18	131	1	11	30	12	54	0	3	62	8	73	2	23	20	6	51	309
*** BREAK ***																					
Total	0	16	226	41	283	2	26	60	27	115	0	7	124	17	148	3	34	45	12	94	640
*** BREAK ***																					
10:30 AM	0	7	52	19	78	0	12	10	9	31	0	11	63	12	86	0	12	13	9	34	229
10:45 AM	0	15	72	24	111	0	5	13	14	32	0	8	53	7	68	0	16	10	7	33	244
Total	0	22	124	43	189	0	17	23	23	63	0	19	116	19	154	0	28	23	16	67	473
11:00 AM	0	9	73	17	99	0	12	15	9	36	0	5	57	8	70	0	23	16	7	46	251
11:15 AM	0	7	49	37	93	0	6	5	6	17	0	6	68	16	90	0	18	19	13	50	250
11:30 AM	0	10	70	31	111	0	6	17	11	34	0	10	81	12	103	0	17	23	18	58	306
11:45 AM	0	6	60	31	97	0	10	17	23	50	0	12	48	12	72	0	28	36	16	80	299
Total	0	32	252	116	400	0	34	54	49	137	0	33	254	48	335	0	86	94	54	234	1106
12:00 PM	0	11	62	24	97	3	10	17	26	56	0	16	73	15	104	0	24	16	14	54	311
12:15 PM	0	6	62	21	89	0	19	14	23	56	0	16	67	9	92	0	26	18	11	55	292
12:30 PM	0	10	76	33	119	0	12	32	28	72	0	12	70	23	105	0	14	20	12	46	342
12:45 PM	0	12	85	27	124	0	11	14	19	44	0	10	70	19	99	0	19	11	6	36	303
Total	0	39	285	105	429	3	52	77	96	228	0	54	280	66	400	0	83	65	43	191	1248
01:00 PM	0	15	77	16	108	0	14	26	36	76	0	8	83	11	102	0	7	16	12	35	321
01:15 PM	0	7	81	24	112	0	8	20	25	53	0	10	75	17	102	0	7	14	7	28	295
*** BREAK ***																					
Total	0	22	158	40	220	0	22	46	61	129	0	18	158	28	204	0	14	30	19	63	616
*** BREAK ***																					
02:30 PM	0	9	77	22	108	0	10	14	19	43	0	15	62	12	89	0	15	13	13	41	281
02:45 PM	0	10	74	26	110	0	8	11	16	35	0	11	99	9	119	0	15	17	13	45	309
Total	0	19	151	48	218	0	18	25	35	78	0	26	161	21	208	0	30	30	26	86	590
03:00 PM	0	11	72	26	109	0	11	24	18	53	0	10	76	13	99	0	23	20	7	50	311
03:15 PM	0	12	39	10	61	0	9	11	26	46	0	5	81	4	90	0	11	19	10	40	237
03:30 PM	0	7	72	10	89	0	12	20	19	51	0	12	105	7	124	0	10	13	14	37	301
03:45 PM	0	5	77	14	96	0	9	14	15	38	0	8	109	14	131	0	11	18	20	49	314
Total	0	35	260	60	355	0	41	69	78	188	0	35	371	38	444	0	55	70	51	176	1163
04:00 PM	0	10	95	15	120	0	5	21	14	40	0	6	122	12	140	0	19	25	16	60	360
04:15 PM	0	4	57	15	76	0	5	18	15	38	0	10	127	11	148	0	22	30	13	65	327
04:30 PM	0	7	67	17	91	0	8	23	23	54	0	13	134	13	160	0	25	28	11	64	369

# Alliant Engineering, Inc.

233 Park Ave Suite 300  
 Minneapolis, MN 55415

--TRAFFIC DATA--

Winnetka Avenue and Golden Valley Road

Ref.Pt.: 185.055

data by : Alliant Inc.

TURN MOVEMENT COUNT

File Name : 571\_Winnetka Ave & Golden Valley Rd

Site Code : 571\_\_\_\_\_

Start Date : 2/21/2018

Page No : 2

Groups Printed- Class 1 - Class 2

Start Time	Winnetka Ave From North					Golden Valley Rd From East					Winnetka Ave From South					Golden Valley Rd From West					Int. Total
	Other	Rght	Thru	Left	App. Total	Other	Rght	Thru	Left	App. Total	Other	Rght	Thru	Left	App. Total	Other	Rght	Thru	Left	App. Total	
04:45 PM	0	14	80	14	108	1	10	30	27	68	0	10	148	15	173	1	18	48	12	79	428
Total	0	35	299	61	395	1	28	92	79	200	0	39	531	51	621	1	84	131	52	268	1484
05:00 PM	0	9	83	19	111	0	6	24	23	53	0	10	120	17	147	0	27	42	17	86	397
05:15 PM	0	7	105	12	124	0	6	29	21	56	0	8	131	18	157	0	24	42	24	90	427
05:30 PM	0	10	99	20	129	0	8	19	21	48	0	13	136	12	161	0	22	35	18	75	413
05:45 PM	0	4	101	19	124	0	8	22	26	56	0	9	128	10	147	0	19	36	12	67	394
Total	0	30	388	70	488	0	28	94	91	213	0	40	515	57	612	0	92	155	71	318	1631
Grand Total	0	364	3588	853	4805	6	324	784	638	1752	0	304	3020	428	3752	4	674	832	389	1899	12208
Apprch %	0	7.6	74.7	17.8		0.3	18.5	44.7	36.4		0	8.1	80.5	11.4		0.2	35.5	43.8	20.5		
Total %	0	3	29.4	7	39.4	0	2.7	6.4	5.2	14.4	0	2.5	24.7	3.5	30.7	0	5.5	6.8	3.2	15.6	
Class 1	0	353	3487	827	4667	6	305	740	614	1665	0	296	2932	422	3650	4	665	802	384	1855	11837
% Class 1	0	97	97.2	97	97.1	100	94.1	94.4	96.2	95	0	97.4	97.1	98.6	97.3	100	98.7	96.4	98.7	97.7	97
Class 2	0	11	101	26	138	0	19	44	24	87	0	8	88	6	102	0	9	30	5	44	371
% Class 2	0	3	2.8	3	2.9	0	5.9	5.6	3.8	5	0	2.6	2.9	1.4	2.7	0	1.3	3.6	1.3	2.3	3

# Alliant Engineering, Inc.

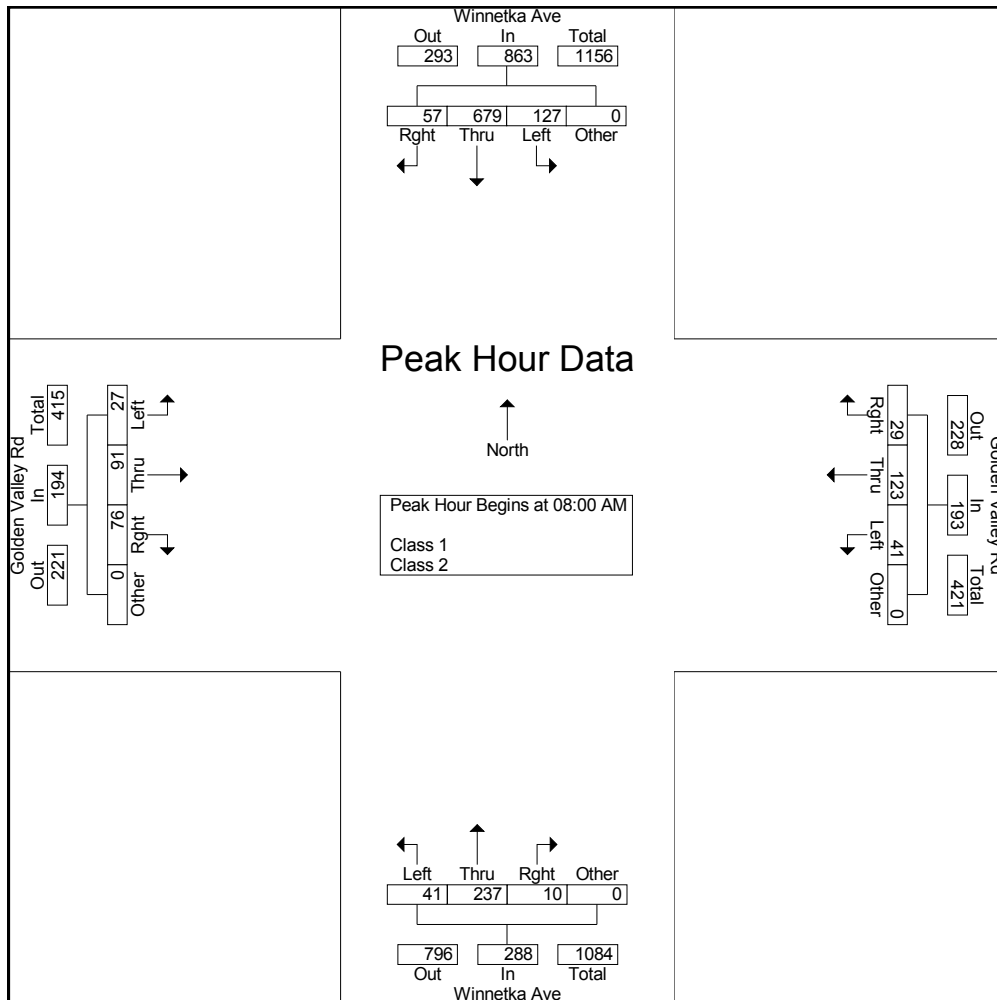
233 Park Ave Suite 300  
 Minneapolis, MN 55415

--TRAFFIC DATA--

Winnetka Avenue and Golden Valley Road  
 Ref.Pt.: 185.055  
 data by : Alliant Inc.  
 TURN MOVEMENT COUNT

File Name : 571\_Winnetka Ave & Golden Valley Rd  
 Site Code : 571\_\_\_\_\_  
 Start Date : 2/21/2018  
 Page No : 3

Start Time	Winnetka Ave From North					Golden Valley Rd From East					Winnetka Ave From South					Golden Valley Rd From West					Int. Total
	Other	Right	Thru	Left	App. Total	Other	Right	Thru	Left	App. Total	Other	Right	Thru	Left	App. Total	Other	Right	Thru	Left	App. Total	
Peak Hour Analysis From 06:00 AM to 11:45 AM - Peak 1 of 1																					
Peak Hour for Entire Intersection Begins at 08:00 AM																					
08:00 AM	0	10	137	33	180	0	7	32	6	45	0	4	58	12	74	0	17	27	6	50	349
08:15 AM	0	14	166	27	207	0	8	22	12	42	0	4	53	11	68	0	15	20	7	42	359
08:30 AM	0	16	192	35	243	0	6	31	15	52	0	1	62	11	74	0	23	23	5	51	420
08:45 AM	0	17	184	32	233	0	8	38	8	54	0	1	64	7	72	0	21	21	9	51	410
Total Volume	0	57	679	127	863	0	29	123	41	193	0	10	237	41	288	0	76	91	27	194	1538
% App. Total	0	6.6	78.7	14.7		0	15	63.7	21.2		0	3.5	82.3	14.2		0	39.2	46.9	13.9		
PHF	.000	.838	.884	.907	.888	.000	.906	.809	.683	.894	.000	.625	.926	.854	.973	.000	.826	.843	.750	.951	.915



# Alliant Engineering, Inc.

233 Park Ave Suite 300  
 Minneapolis, MN 55415

--TRAFFIC DATA--

Winnetka Avenue and Golden Valley Road  
 Ref.Pt.: 185.055  
 data by : Alliant Inc.  
 TURN MOVEMENT COUNT

File Name : 571\_Winnetka Ave & Golden Valley Rd  
 Site Code : 571\_\_\_\_\_  
 Start Date : 2/21/2018  
 Page No : 4

Start Time	Winnetka Ave From North				App. Total	Golden Valley Rd From East				App. Total	Winnetka Ave From South				App. Total	Golden Valley Rd From West				App. Total	Int. Total
	Other	Rgh t	Thru	Left		Other	Rgh t	Thru	Left		Other	Rgh t	Thru	Left		Other	Rgh t	Thru	Left		
Peak Hour Analysis From 12:00 PM to 05:45 PM - Peak 1 of 1																					
Peak Hour for Entire Intersection Begins at 04:45 PM																					
04:45 PM	0	14	80	14	108	1	10	30	27	68	0	10	148	15	173	1	18	48	12	79	428
05:00 PM	0	9	83	19	111	0	6	24	23	53	0	10	120	17	147	0	27	42	17	86	397
05:15 PM	0	7	105	12	124	0	6	29	21	56	0	8	131	18	157	0	24	42	24	90	427
05:30 PM	0	10	99	20	129	0	8	19	21	48	0	13	136	12	161	0	22	35	18	75	413
Total Volume	0	40	367	65	472	1	30	102	92	225	0	41	535	62	638	1	91	167	71	330	1665
% App. Total	0	8.5	77.8	13.8		0.4	13.3	45.3	40.9		0	6.4	83.9	9.7		0.3	27.6	50.6	21.5		
PHF	.000	.714	.874	.813	.915	.250	.750	.850	.852	.827	.000	.788	.904	.861	.922	.250	.843	.870	.740	.917	.973

