



MINNESOTA DEPT OF TRANSPORTATION

TRAFFIC DATA COLLECTION - METRO

TH-55 AT CSAH-42 / CSAH-85
 Ref.Pt.: 215+00.233
 JAMAR# 632 DR
 TURN MOVEMENT COUNT

File Name : th 55 at csah 42 and 85 2007
 Site Code : 00000000
 Start Date : 10/24/2007
 Page No : 1

Groups Printed- Unshifted

Start Time	CSAH-42, E JCT Southbound				TH- 55 Westbound				CSAH-85 / GOODWIN AVE. Northbound				TH-55 Eastbound				Int. Total
	Left	Thru	Right	Peds	Left	Thru	Right	Peds	Left	Thru	Right	Peds	Left	Thru	Right	Peds	
06:00	0	2	21	0	1	186	0	0	8	0	1	0	4	39	0	0	262
06:15	0	2	27	0	2	230	1	0	7	1	3	0	7	29	0	0	309
06:30	0	0	57	0	3	238	0	0	15	0	6	0	8	62	0	0	389
06:45	0	2	36	0	3	247	0	0	7	1	12	0	17	71	2	0	398
Total	0	6	141	0	9	901	1	0	37	2	22	0	36	201	2	0	1358
07:00	1	0	40	0	3	234	1	0	4	3	11	0	17	68	1	0	383
07:15	1	3	49	0	7	270	1	0	7	2	18	0	12	87	2	0	459
07:30	0	0	49	0	4	302	0	0	5	2	18	0	8	103	4	0	495
07:45	0	3	50	0	3	267	0	0	5	1	15	0	17	131	2	0	494
Total	2	6	188	0	17	1073	2	0	21	8	62	0	54	389	9	0	1831
08:00	0	1	46	0	5	175	1	0	9	1	2	0	9	97	6	0	352
08:15	1	2	36	0	0	145	2	0	16	4	10	0	12	134	2	0	364
08:30	0	2	30	0	1	137	0	0	5	1	4	0	11	102	2	0	295
08:45	0	0	27	0	6	112	2	0	4	0	4	0	9	112	3	0	279
Total	1	5	139	0	12	569	5	0	34	6	20	0	41	445	13	0	1290
*** BREAK ***																	
15:00	0	2	12	0	3	113	1	0	5	5	4	0	22	118	11	0	296
15:15	0	2	16	0	3	111	0	0	4	3	9	0	35	145	13	0	341
15:30	0	3	9	0	8	102	0	0	4	1	5	0	43	159	8	0	342
15:45	2	2	17	0	3	87	1	0	3	2	3	0	46	218	14	0	398
Total	2	9	54	0	17	413	2	0	16	11	21	0	146	640	46	0	1377
16:00	0	0	16	0	13	111	0	0	2	2	6	0	40	185	15	0	390
16:15	0	2	26	0	5	126	0	0	1	2	4	0	36	217	20	0	439
16:30	0	3	19	0	21	149	0	0	4	3	8	0	46	261	16	0	530
16:45	1	0	23	0	9	137	1	0	0	0	3	0	62	290	24	0	550
Total	1	5	84	0	48	523	1	0	7	7	21	0	184	953	75	0	1909
17:00	0	2	17	0	13	156	2	0	3	4	2	0	53	222	24	0	498
17:15	0	3	23	0	6	134	0	0	4	3	4	0	47	240	22	0	486
17:30	2	0	27	0	6	115	0	0	1	1	5	0	65	302	24	0	548
17:45	0	1	17	0	7	94	1	0	4	1	6	0	44	217	6	0	398
Total	2	6	84	0	32	499	3	0	12	9	17	0	209	981	76	0	1930
Grand Total	8	37	690	0	135	3978	14	0	127	43	163	0	670	3609	221	0	9695
Apprch %	1.1	5	93.9	0	3.3	96.4	0.3	0	38.1	12.9	48.9	0	14.9	80.2	4.9	0	
Total %	0.1	0.4	7.1	0	1.4	41	0.1	0	1.3	0.4	1.7	0	6.9	37.2	2.3	0	



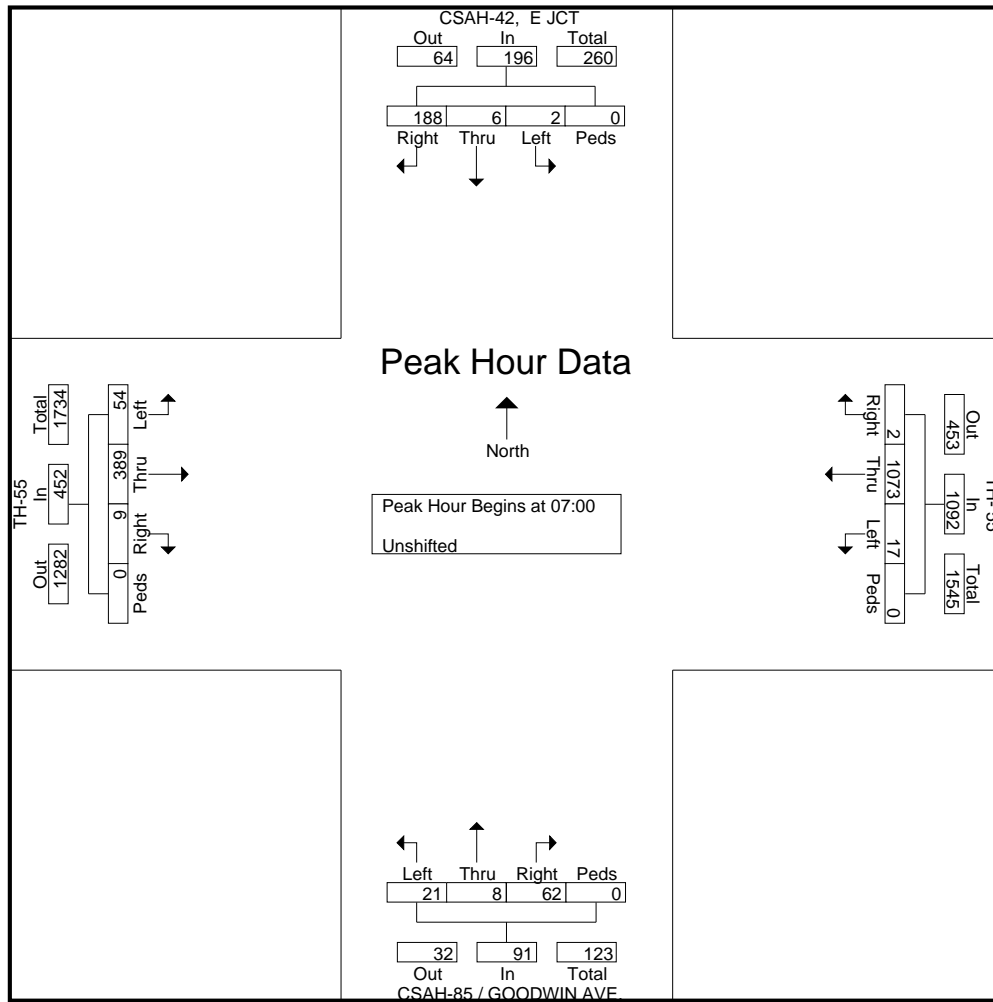
MINNESOTA DEPT OF TRANSPORTATION

TRAFFIC DATA COLLECTION - METRO

TH-55 AT CSAH-42 / CSAH-85
 Ref.Pt.: 215+00.233
 JAMAR# 632 DR
 TURN MOVEMENT COUNT

File Name : th 55 at csah 42 and 85 2007
 Site Code : 00000000
 Start Date : 10/24/2007
 Page No : 2

Start Time	CSAH-42, E JCT Southbound					TH- 55 Westbound					CSAH-85 / GOODWIN AVE. Northbound					TH-55 Eastbound					Int. Total
	Left	Thru	Right	Peds	App. Total	Left	Thru	Right	Peds	App. Total	Left	Thru	Right	Peds	App. Total	Left	Thru	Right	Peds	App. Total	
Peak Hour Analysis From 06:00 to 08:45 - Peak 1 of 1																					
Peak Hour for Entire Intersection Begins at 07:00																					
07:00	1	0	40	0	41	3	234	1	0	238	4	3	11	0	18	17	68	1	0	86	383
07:15	1	3	49	0	53	7	270	1	0	278	7	2	18	0	27	12	87	2	0	101	459
07:30	0	0	49	0	49	4	302	0	0	306	5	2	18	0	25	8	103	4	0	115	495
07:45	0	3	50	0	53	3	267	0	0	270	5	1	15	0	21	17	131	2	0	150	494
Total Volume	2	6	188	0	196	17	1073	2	0	1092	21	8	62	0	91	54	389	9	0	452	1831
% App. Total	1	3.1	95.9	0		1.6	98.3	0.2	0		23.1	8.8	68.1	0		11.9	86.1	2	0		
PHF	.500	.500	.940	.000	.925	.607	.888	.500	.000	.892	.750	.667	.861	.000	.843	.794	.742	.563	.000	.753	.925





MINNESOTA DEPT OF TRANSPORTATION

TRAFFIC DATA COLLECTION - METRO

TH-55 AT CSAH-42 / CSAH-85
 Ref.Pt.: 215+00.233
 JAMAR# 632 DR
 TURN MOVEMENT COUNT

File Name : th 55 at csah 42 and 85 2007
 Site Code : 00000000
 Start Date : 10/24/2007
 Page No : 3

Start Time	CSAH-42, E JCT Southbound					TH- 55 Westbound					CSAH-85 / GOODWIN AVE. Northbound					TH-55 Eastbound					Int. Total
	Left	Thru	Right	Peds	App. Total	Left	Thru	Right	Peds	App. Total	Left	Thru	Right	Peds	App. Total	Left	Thru	Right	Peds	App. Total	
Peak Hour Analysis From 15:00 to 17:45 - Peak 1 of 1																					
Peak Hour for Entire Intersection Begins at 16:45																					
16:45	1	0	23	0	24	9	137	1	0	147	0	0	3	0	3	62	290	24	0	376	550
17:00	0	2	17	0	19	13	156	2	0	171	3	4	2	0	9	53	222	24	0	299	498
17:15	0	3	23	0	26	6	134	0	0	140	4	3	4	0	11	47	240	22	0	309	486
17:30	2	0	27	0	29	6	115	0	0	121	1	1	5	0	7	65	302	24	0	391	548
Total Volume	3	5	90	0	98	34	542	3	0	579	8	8	14	0	30	227	1054	94	0	1375	2082
% App. Total	3.1	5.1	91.8	0		5.9	93.6	0.5	0		26.7	26.7	46.7	0		16.5	76.7	6.8	0		
PHF	.375	.417	.833	.000	.845	.654	.869	.375	.000	.846	.500	.500	.700	.000	.682	.873	.873	.979	.000	.879	.946

