



MINNESOTA DEPT OF TRANSPORTATION

TRAFFIC DATA COLLECTION - METRO

Location: TH 55 @ RIVER ST 2006
 REF. PT.: 219+00.653
 Jamar# T-1386/KF
 TURN MOVEMENT COUNT

File Name : TH 55 @ RIVER ST PM 2006
 Site Code : 00000000
 Start Date : 2/2/2006
 Page No : 1

Groups Printed- Cars & Trucks

Start Time	RIVER ST Southbound					TH55 Westbound					RIVER ST Northbound					TH55 Eastbound					Int. Total
	Left	Thru	Right	Peds	App. Total	Left	Thru	Right	Peds	App. Total	Left	Thru	Right	Peds	App. Total	Left	Thru	Right	Peds	App. Total	
06:00	2	0	3	1	6	1	134	1	0	136	0	1	1	0	2	0	40	0	0	40	184
06:15	3	2	7	0	12	4	170	5	0	179	0	2	2	0	4	2	30	0	0	32	227
06:30	6	0	3	0	9	4	191	2	0	197	1	2	8	0	11	6	49	1	0	56	273
06:45	5	1	7	0	13	4	187	9	0	200	0	3	3	0	6	5	76	0	0	81	300
Total	16	3	20	1	40	13	682	17	0	712	1	8	14	0	23	13	195	1	0	209	984
07:00	2	3	8	1	14	7	174	5	0	186	2	7	7	0	16	1	72	4	0	77	293
07:15	3	7	4	2	16	33	229	6	0	268	11	18	16	0	45	2	92	12	0	106	435
07:30	8	12	9	6	35	9	222	8	0	239	9	29	17	0	55	5	135	9	0	149	478
07:45	4	8	4	0	16	15	195	7	0	217	1	4	7	0	12	4	108	0	0	112	357
Total	17	30	25	9	81	64	820	26	0	910	23	58	47	0	128	12	407	25	0	444	1563
08:00	2	3	1	0	6	12	109	1	2	124	1	5	5	1	12	4	66	1	0	71	213
08:15	1	3	0	0	4	2	114	2	1	119	1	1	13	0	15	4	74	1	0	79	217
08:30	5	2	5	0	12	16	155	9	0	180	2	6	4	0	12	1	75	0	0	76	280
08:45	17	10	7	0	34	9	152	9	1	171	1	6	12	0	19	13	89	1	0	103	327
Total	25	18	13	0	56	39	530	21	4	594	5	18	34	1	58	22	304	3	0	329	1037
11:00	3	3	8	0	14	2	103	4	0	109	1	1	11	0	13	6	114	1	0	121	257
11:15	5	3	2	0	10	14	110	4	0	128	0	9	11	0	20	8	115	1	0	124	282
11:30	5	4	8	0	17	11	129	6	0	146	0	7	11	0	18	11	84	5	0	100	281
11:45	11	5	8	0	24	11	112	2	0	125	2	4	7	0	13	5	133	0	0	138	300
Total	24	15	26	0	65	38	454	16	0	508	3	21	40	0	64	30	446	7	0	483	1120
12:00	7	6	4	0	17	11	152	4	0	167	1	6	14	0	21	6	147	2	0	155	360
12:15	4	9	7	0	20	6	141	10	0	157	0	6	15	0	21	7	132	5	0	144	342
12:30	4	4	7	0	15	10	135	7	0	152	1	8	13	0	22	12	131	2	0	145	334
12:45	5	3	5	0	13	13	122	10	0	145	1	5	14	0	20	2	158	3	0	163	341
Total	20	22	23	0	65	40	550	31	0	621	3	25	56	0	84	27	568	12	0	607	1377
14:30	15	5	3	0	23	21	148	8	2	179	4	13	28	28	73	16	180	2	0	198	473
14:45	9	9	12	0	30	16	133	5	2	156	2	6	16	0	24	19	154	3	0	176	386
Total	24	14	15	0	53	37	281	13	4	335	6	19	44	28	97	35	334	5	0	374	859
15:00	12	6	8	0	26	17	141	7	0	165	0	10	25	1	36	7	147	3	2	159	386
15:15	21	10	11	0	42	21	178	7	2	208	0	5	11	0	16	5	174	2	0	181	447
15:30	6	6	4	0	16	12	161	4	0	177	1	6	23	1	31	17	195	2	0	214	438
15:45	12	3	21	1	37	7	142	9	0	158	1	12	19	0	32	10	215	2	0	227	454
Total	51	25	44	1	121	57	622	27	2	708	2	33	78	2	115	39	731	9	2	781	1725
16:00	5	6	5	0	16	19	143	13	0	175	0	6	18	0	24	8	190	4	0	202	417
16:15	6	4	4	0	14	15	146	10	0	171	0	8	22	0	30	14	187	1	0	202	417
16:30	5	9	11	0	25	17	143	10	0	170	0	7	11	0	18	10	237	0	0	247	460
16:45	10	8	4	0	22	16	141	9	0	166	1	7	15	0	23	17	204	0	0	221	432
Total	26	27	24	0	77	67	573	42	0	682	1	28	66	0	95	49	818	5	0	872	1726



MINNESOTA DEPT OF TRANSPORTATION

TRAFFIC DATA COLLECTION - METRO

File Name : TH 55 @ RIVER ST PM 2006
 Site Code : 00000000
 Start Date : 2/2/2006
 Page No : 2

Groups Printed- Cars & Trucks

Start Time	RIVER ST Southbound					TH55 Westbound					RIVER ST Northbound					TH55 Eastbound					Int. Total
	Left	Thru	Right	Peds	App. Total	Left	Thru	Right	Peds	App. Total	Left	Thru	Right	Peds	App. Total	Left	Thru	Right	Peds	App. Total	
17:00	8	12	4	0	24	18	169	5	0	192	3	7	17	0	27	13	202	3	1	219	462
17:15	4	5	7	1	17	16	151	10	0	177	0	8	18	0	26	12	197	1	1	211	431
17:30	4	9	2	0	15	22	147	8	0	177	1	10	23	0	34	13	217	2	1	233	459
17:45	5	2	1	0	8	10	125	5	0	140	0	9	21	0	30	13	181	0	0	194	372
Total	21	28	14	1	64	66	592	28	0	686	4	34	79	0	117	51	797	6	3	857	1724
Grand Total	224	182	204	12	622	421	5104	221	10	5756	48	244	458	31	781	278	4600	73	5	4956	12115
Apprch %	36	29.3	32.8	1.9		7.3	88.7	3.8	0.2		6.1	31.2	58.6	4		5.6	92.8	1.5	0.1		
Total %	1.8	1.5	1.7	0.1	5.1	3.5	42.1	1.8	0.1	47.5	0.4	2	3.8	0.3	6.4	2.3	38	0.6	0	40.9	

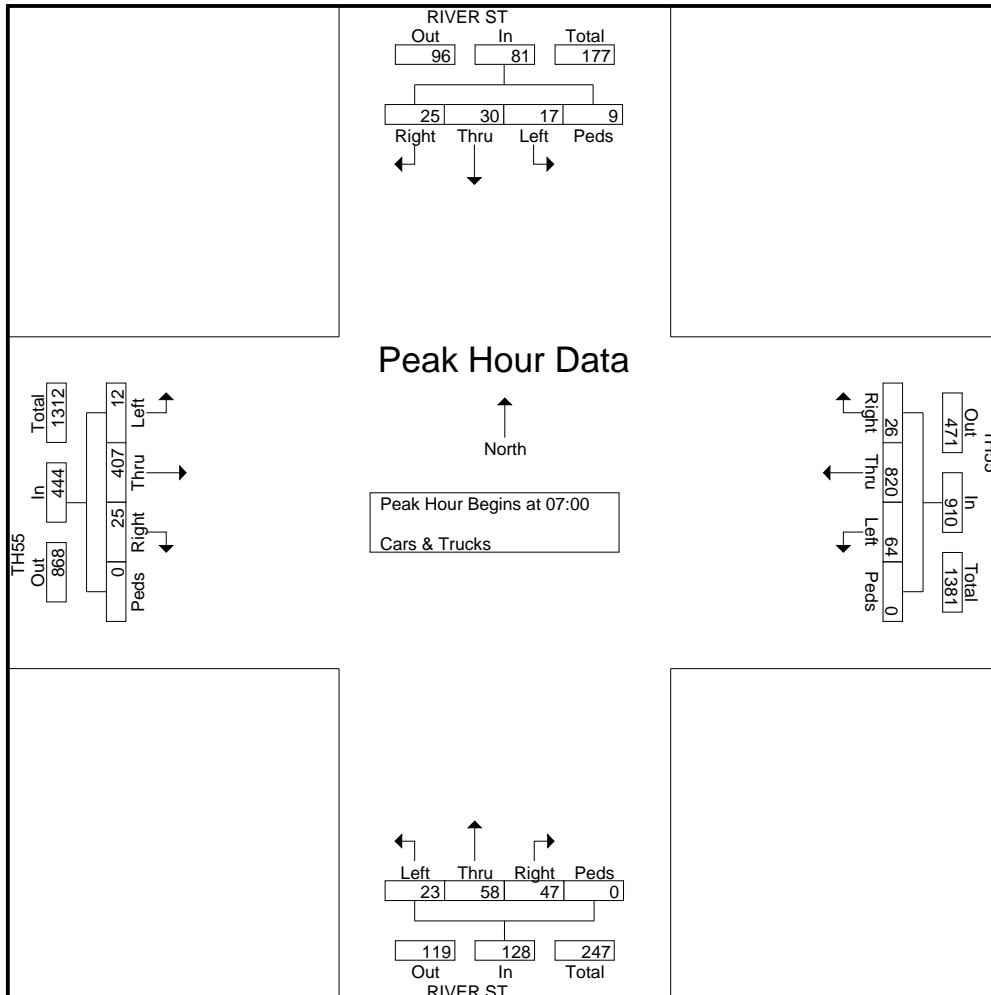


MINNESOTA DEPT OF TRANSPORTATION

TRAFFIC DATA COLLECTION - METRO

File Name : TH 55 @ RIVER ST PM 2006
 Site Code : 00000000
 Start Date : 2/2/2006
 Page No : 3

Start Time	RIVER ST Southbound					TH55 Westbound					RIVER ST Northbound					TH55 Eastbound					Int. Total
	Left	Thru	Right	Peds	App. Total	Left	Thru	Right	Peds	App. Total	Left	Thru	Right	Peds	App. Total	Left	Thru	Right	Peds	App. Total	
Peak Hour Analysis From 06:00 to 09:45 - Peak 1 of 1																					
Peak Hour for Entire Intersection Begins at 07:00																					
07:00	2	3	8	1	14	7	174	5	0	186	2	7	7	0	16	1	72	4	0	77	293
07:15	3	7	4	2	16	33	229	6	0	268	11	18	16	0	45	2	92	12	0	106	435
07:30	8	12	9	6	35	9	222	8	0	239	9	29	17	0	55	5	135	9	0	149	478
07:45	4	8	4	0	16	15	195	7	0	217	1	4	7	0	12	4	108	0	0	112	357
Total Volume	17	30	25	9	81	64	820	26	0	910	23	58	47	0	128	12	407	25	0	444	1563
% App. Total	21	37	30.9	11.1		7	90.1	2.9	0		18	45.3	36.7	0		2.7	91.7	5.6	0		
PHF	.531	.625	.694	.375	.579	.485	.895	.813	.000	.849	.523	.500	.691	.000	.582	.600	.754	.521	.000	.745	.817





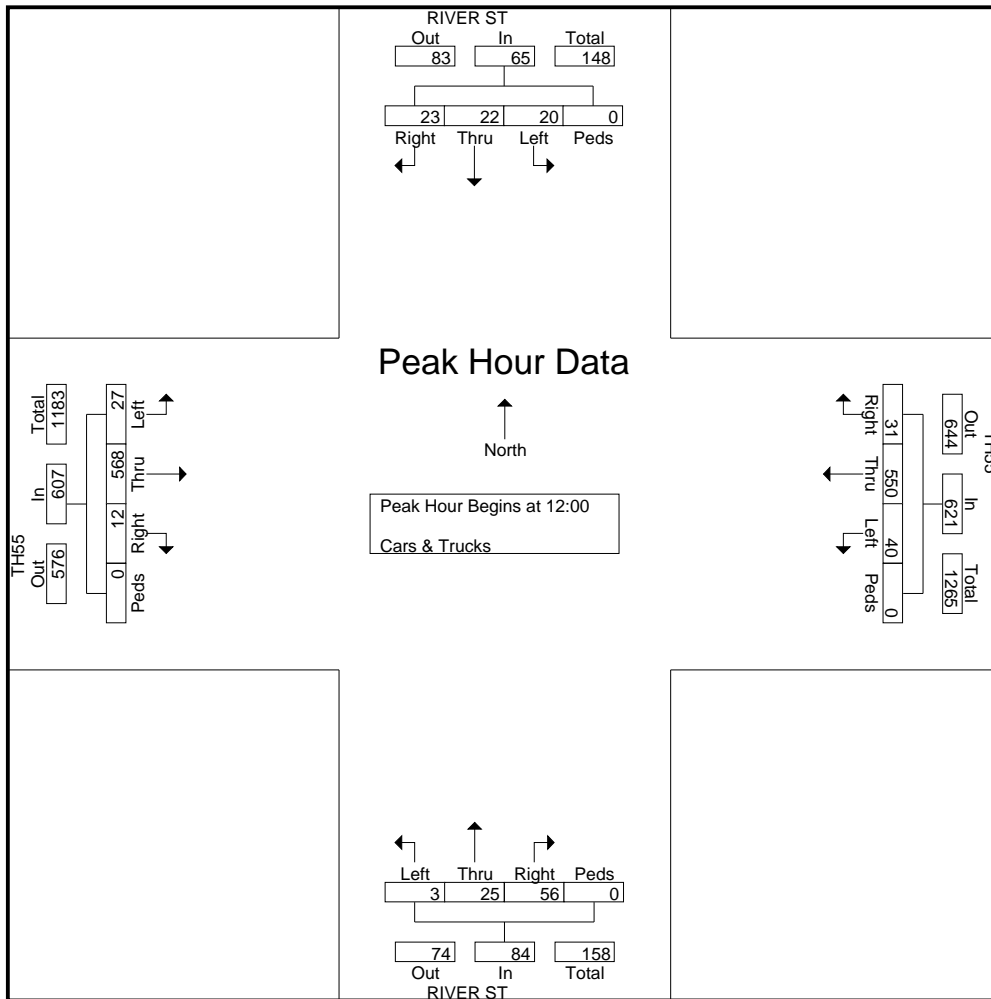
MINNESOTA DEPT OF TRANSPORTATION

TRAFFIC DATA COLLECTION - METRO

File Name : TH 55 @ RIVER ST PM 2006
 Site Code : 00000000
 Start Date : 2/2/2006
 Page No : 4

Start Time	RIVER ST Southbound					TH55 Westbound					RIVER ST Northbound					TH55 Eastbound					Int. Total
	Left	Thru	Right	Peds	App. Total	Left	Thru	Right	Peds	App. Total	Left	Thru	Right	Peds	App. Total	Left	Thru	Right	Peds	App. Total	
12:00	7	6	4	0	17	11	152	4	0	167	1	6	14	0	21	6	147	2	0	155	360
12:15	4	9	7	0	20	6	141	10	0	157	0	6	15	0	21	7	132	5	0	144	342
12:30	4	4	7	0	15	10	135	7	0	152	1	8	13	0	22	12	131	2	0	145	334
12:45	5	3	5	0	13	13	122	10	0	145	1	5	14	0	20	2	158	3	0	163	341
Total Volume	20	22	23	0	65	40	550	31	0	621	3	25	56	0	84	27	568	12	0	607	1377
% App. Total	30.8	33.8	35.4	0		6.4	88.6	5	0		3.6	29.8	66.7	0		4.4	93.6	2	0		
PHF	.714	.611	.821	.000	.813	.769	.905	.775	.000	.930	.750	.781	.933	.000	.955	.563	.899	.600	.000	.931	.956

Peak Hour Analysis From 10:00 to 13:45 - Peak 1 of 1
 Peak Hour for Entire Intersection Begins at 12:00





MINNESOTA DEPT OF TRANSPORTATION

TRAFFIC DATA COLLECTION - METRO

File Name : TH 55 @ RIVER ST PM 2006
 Site Code : 00000000
 Start Date : 2/2/2006
 Page No : 5

Start Time	RIVER ST Southbound					TH55 Westbound					RIVER ST Northbound					TH55 Eastbound					Int. Total
	Left	Thru	Right	Peds	App. Total	Left	Thru	Right	Peds	App. Total	Left	Thru	Right	Peds	App. Total	Left	Thru	Right	Peds	App. Total	
Peak Hour Analysis From 14:00 to 18:00 - Peak 1 of 1																					
Peak Hour for Entire Intersection Begins at 16:30																					
16:30	5	9	11	0	25	17	143	10	0	170	0	7	11	0	18	10	237	0	0	247	460
16:45	10	8	4	0	22	16	141	9	0	166	1	7	15	0	23	17	204	0	0	221	432
17:00	8	12	4	0	24	18	169	5	0	192	3	7	17	0	27	13	202	3	1	219	462
17:15	4	5	7	1	17	16	151	10	0	177	0	8	18	0	26	12	197	1	1	211	431
Total Volume	27	34	26	1	88	67	604	34	0	705	4	29	61	0	94	52	840	4	2	898	1785
% App. Total	30.7	38.6	29.5	1.1		9.5	85.7	4.8	0		4.3	30.9	64.9	0		5.8	93.5	0.4	0.2		
PHF	.675	.708	.591	.250	.880	.931	.893	.850	.000	.918	.333	.906	.847	.000	.870	.765	.886	.333	.500	.909	.966

