



MINNESOTA DEPT OF TRANSPORTATION

TRAFFIC DATA COLLECTION - METRO

TH-610 at ZANE AVE N,, S Ramps
 REF.PT.: 006.817
 JAMAR #D4-3358 KF
 TURN MOVEMENT COUNT

File Name : TH-610 AT ZANE AVE - S RAMPS 2007
 Site Code : 00000000
 Start Date : 4/5/2007
 Page No : 1

Groups Printed- Cars & Trucks

Start Time	ZANE AVE N. Southbound				ramp to TH-610 EB Westbound				ZANE AVE N. Northbound				ramp from TH-610 EB Eastbound				Int. Total
	Left	Thru	Right	Peds	Left	Thru	Right	Peds	Left	Thru	Right	Peds	Left	Thru	Right	Peds	
06:00	56	42	0	0	0	0	0	0	0	12	22	0	6	0	3	0	141
06:15	56	84	0	0	0	0	0	0	0	17	23	0	6	0	4	0	190
06:30	79	113	0	0	0	0	0	0	0	25	41	0	14	0	11	0	283
06:45	67	111	0	0	0	0	0	0	0	23	23	0	8	0	11	0	243
Total	258	350	0	0	0	0	0	0	0	77	109	0	34	0	29	0	857
07:00	58	153	0	0	0	0	0	0	0	22	33	0	9	0	11	0	286
07:15	84	190	0	0	0	0	0	0	0	19	37	0	6	0	18	0	354
07:30	57	164	0	0	0	0	0	0	0	29	50	0	10	0	16	0	326
07:45	62	186	0	0	0	0	0	0	0	23	39	0	8	0	13	0	331
Total	261	693	0	0	0	0	0	0	0	93	159	0	33	0	58	0	1297
08:00	49	96	0	0	0	0	0	0	0	28	37	0	16	0	11	0	237
08:15	55	90	0	0	0	0	0	0	0	25	38	0	12	0	5	0	225
08:30	45	74	0	0	0	0	0	0	0	30	29	0	10	0	7	0	195
08:45	44	70	0	0	0	0	0	0	0	40	28	0	19	0	9	0	210
Total	193	330	0	0	0	0	0	0	0	123	132	0	57	0	32	0	867
*** BREAK ***																	
15:00	38	79	0	0	0	0	0	0	0	77	63	0	24	1	6	0	288
15:15	57	88	0	0	0	0	0	0	0	76	31	0	25	0	8	0	285
15:30	106	84	0	0	0	0	0	0	0	90	54	0	28	0	8	0	370
15:45	62	107	0	0	0	0	0	0	0	88	59	0	12	0	7	0	335
Total	263	358	0	0	0	0	0	0	0	331	207	0	89	1	29	0	1278
16:00	82	105	0	0	0	0	0	0	0	110	73	0	28	0	12	0	410
16:15	57	73	0	0	0	0	0	0	0	113	57	0	20	0	8	0	328
16:30	93	100	0	0	0	0	0	0	0	117	65	0	28	0	18	0	421
16:45	90	99	0	0	0	0	0	0	0	131	87	0	21	0	9	0	437
Total	322	377	0	0	0	0	0	0	0	471	282	0	97	0	47	0	1596
17:00	79	113	0	0	0	0	0	0	0	154	73	0	28	0	5	0	452
17:15	75	130	0	0	0	0	0	0	0	103	74	0	23	0	19	0	424
17:30	68	108	0	0	0	0	0	0	0	114	81	0	19	1	11	0	402
17:45	55	87	0	0	0	0	0	0	0	146	64	0	27	0	9	0	388
Total	277	438	0	0	0	0	0	0	0	517	292	0	97	1	44	0	1666
*** BREAK ***																	
Grand Total	1574	2546	0	0	0	0	0	0	0	1612	1181	0	407	2	239	0	7561
Apprch %	38.2	61.8	0	0	0	0	0	0	0	57.7	42.3	0	62.8	0.3	36.9	0	
Total %	20.8	33.7	0	0	0	0	0	0	0	21.3	15.6	0	5.4	0	3.2	0	



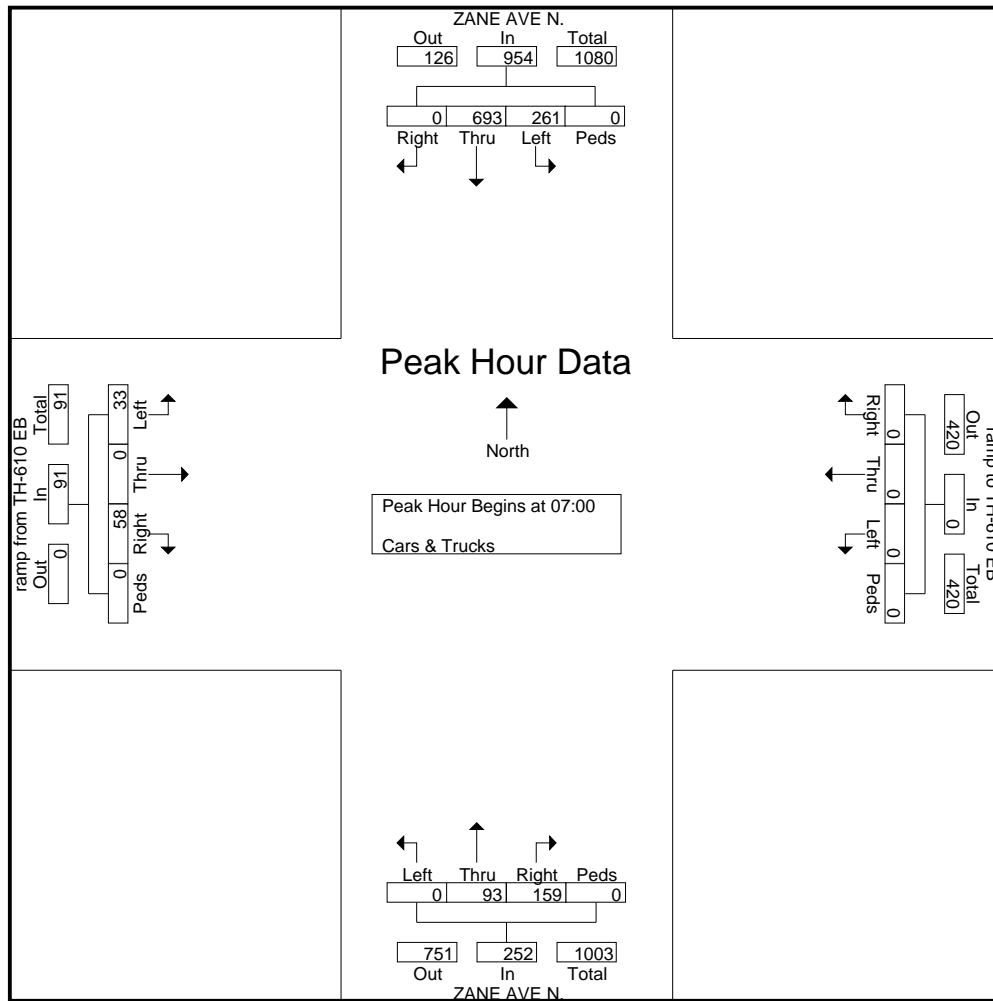
MINNESOTA DEPT OF TRANSPORTATION

TRAFFIC DATA COLLECTION - METRO

TH-610 at ZANE AVE N,, S Ramps
 REF.PT.: 006.817
 JAMAR #D4-3358 KF
 TURN MOVEMENT COUNT

File Name : TH-610 AT ZANE AVE - S RAMPS 2007
 Site Code : 00000000
 Start Date : 4/5/2007
 Page No : 2

Start Time	ZANE AVE N. Southbound					ramp to TH-610 EB Westbound					ZANE AVE N. Northbound					ramp from TH-610 EB Eastbound					Int. Total
	Left	Thru	Right	Peds	App. Total	Left	Thru	Right	Peds	App. Total	Left	Thru	Right	Peds	App. Total	Left	Thru	Right	Peds	App. Total	
Peak Hour Analysis From 06:00 to 08:45 - Peak 1 of 1																					
Peak Hour for Entire Intersection Begins at 07:00																					
07:00	58	153	0	0	211	0	0	0	0	0	0	22	33	0	55	9	0	11	0	20	286
07:15	84	190	0	0	274	0	0	0	0	0	0	19	37	0	56	6	0	18	0	24	354
07:30	57	164	0	0	221	0	0	0	0	0	0	29	50	0	79	10	0	16	0	26	326
07:45	62	186	0	0	248	0	0	0	0	0	0	23	39	0	62	8	0	13	0	21	331
Total Volume	261	693	0	0	954	0	0	0	0	0	0	93	159	0	252	33	0	58	0	91	1297
% App. Total																					
PHF	.777	.912	.000	.000	.870	.000	.000	.000	.000	.000	.000	.802	.795	.000	.797	.825	.000	.806	.000	.875	.916





MINNESOTA DEPT OF TRANSPORTATION

TRAFFIC DATA COLLECTION - METRO

TH-610 at ZANE AVE N,, S Ramps
 REF.PT.: 006.817
 JAMAR #D4-3358 KF
 TURN MOVEMENT COUNT

File Name : TH-610 AT ZANE AVE - S RAMPS 2007
 Site Code : 00000000
 Start Date : 4/5/2007
 Page No : 3

Start Time	ZANE AVE N. Southbound					ramp to TH-610 EB Westbound					ZANE AVE N. Northbound					ramp from TH-610 EB Eastbound					Int. Total
	Left	Thru	Right	Peds	App. Total	Left	Thru	Right	Peds	App. Total	Left	Thru	Right	Peds	App. Total	Left	Thru	Right	Peds	App. Total	
Peak Hour Analysis From 15:00 to 18:15 - Peak 1 of 1																					
Peak Hour for Entire Intersection Begins at 16:30																					
16:30	93	100	0	0	193	0	0	0	0	0	0	117	65	0	182	28	0	18	0	46	421
16:45	90	99	0	0	189	0	0	0	0	0	0	131	87	0	218	21	0	9	0	30	437
17:00	79	113	0	0	192	0	0	0	0	0	0	154	73	0	227	28	0	5	0	33	452
17:15	75	130	0	0	205	0	0	0	0	0	0	103	74	0	177	23	0	19	0	42	424
Total Volume	337	442	0	0	779	0	0	0	0	0	0	505	299	0	804	100	0	51	0	151	1734
% App. Total																					
PHF	.906	.850	.000	.000	.950	.000	.000	.000	.000	.000	.000	.820	.859	.000	.885	.893	.000	.671	.000	.821	.959

