

Alliant Engineering

Minneapolis, MN 55415

--TRAFFIC DATA --

TH-110 at Lexington Ave.
 Ref.Pt.: 000+01.088
 data by Alliant Engineering
 TURN MOVEMENT COUNT

File Name : 412 - TH 110 and Lexington Ave
 Site Code : 412
 Start Date : 4/9/2015
 Page No : 1

Groups Printed- Cars - Trucks

Start Time	Lexington Ave Southbound				TH-110 Westbound				Lexington Ave Northbound				TH-110 Eastbound				Int. Total
	Left	Thru	Rght	Bikes	Left	Thru	Rght	Bikes	Left	Thru	Rght	Bikes	Left	Thru	Rght	Bikes	
06:00	3	8	12	0	15	124	5	0	4	3	4	0	4	33	4	0	219
06:15	5	3	12	0	28	185	7	0	9	0	3	0	3	43	5	0	303
06:30	4	13	12	0	50	223	2	0	16	3	19	0	3	72	6	0	423
06:45	4	12	16	0	59	283	4	0	14	8	17	0	3	105	10	0	535
Total	16	36	52	0	152	815	18	0	43	14	43	0	13	253	25	0	1480
07:00	8	17	19	0	74	294	5	0	15	8	13	0	6	94	14	0	567
07:15	13	21	29	0	60	329	8	0	13	14	11	0	11	139	23	0	671
07:30	16	29	30	0	99	279	16	2	28	32	10	0	9	132	33	0	715
07:45	47	55	22	0	101	274	14	0	29	34	9	0	16	160	42	0	803
Total	84	122	100	0	334	1176	43	2	85	88	43	0	42	525	112	0	2756
08:00	15	31	28	0	122	233	9	0	23	24	10	0	6	142	22	0	665
08:15	11	17	23	0	73	228	10	0	10	5	26	0	3	151	17	0	574
08:30	16	22	8	0	87	242	6	0	17	13	12	0	7	129	16	0	575
08:45	11	14	22	0	74	221	13	0	7	8	22	0	8	137	18	0	555
Total	53	84	81	0	356	924	38	0	57	50	70	0	24	559	73	0	2369
09:00	22	9	20	0	66	154	9	0	19	6	35	0	6	112	13	0	471
09:15	17	11	20	0	60	163	4	0	7	7	13	0	6	119	15	0	442
*** BREAK ***																	
Total	39	20	40	0	126	317	13	0	26	13	48	0	12	231	28	0	913
*** BREAK ***																	
10:30	11	7	8	0	29	120	12	0	5	6	12	0	7	107	11	0	335
10:45	13	4	12	0	24	136	7	0	11	5	23	0	6	123	4	0	368
Total	24	11	20	0	53	256	19	0	16	11	35	0	13	230	15	0	703
11:00	6	6	9	0	31	117	10	0	11	7	27	0	3	99	15	0	341
11:15	15	12	6	0	28	107	8	0	8	8	31	0	11	142	3	0	379
11:30	14	11	11	0	37	116	7	0	10	4	39	0	4	111	10	0	374
11:45	14	10	6	0	43	140	9	0	10	14	42	0	7	102	15	0	412
Total	49	39	32	0	139	480	34	0	39	33	139	0	25	454	43	0	1506
12:00	6	10	11	0	38	99	20	0	12	16	57	0	8	143	5	0	425
12:15	10	7	13	0	43	118	21	0	9	8	32	0	9	146	5	0	421
12:30	13	12	4	0	44	125	35	0	9	10	24	0	9	123	13	0	421
12:45	12	5	15	0	60	97	10	0	10	7	38	0	11	117	18	0	400
Total	41	34	43	0	185	439	86	0	40	41	151	0	37	529	41	0	1667
13:00	14	19	10	0	56	103	7	0	6	5	25	0	14	130	8	0	397
13:15	13	9	6	0	51	98	11	0	5	8	20	0	6	117	8	0	352
*** BREAK ***																	
Total	27	28	16	0	107	201	18	0	11	13	45	0	20	247	16	0	749
*** BREAK ***																	
14:30	15	11	10	0	23	119	10	0	9	8	41	0	13	181	18	0	458
14:45	8	5	9	0	35	111	8	0	7	6	46	0	21	188	9	0	453
Total	23	16	19	0	58	230	18	0	16	14	87	0	34	369	27	0	911
15:00	9	11	10	0	35	120	11	0	7	12	36	0	16	210	20	0	497
15:15	14	12	6	0	30	139	11	0	11	26	43	0	17	213	17	0	539
15:30	26	36	7	0	17	134	12	0	6	21	54	0	13	266	25	0	617
15:45	21	14	14	0	26	146	6	0	11	25	68	0	14	270	11	0	626
Total	70	73	37	0	108	539	40	0	35	84	201	0	60	959	73	0	2279
16:00	21	22	9	0	21	125	9	0	16	26	56	0	19	272	16	0	612
16:15	13	14	8	0	34	141	9	0	9	21	45	0	22	325	21	0	662
16:30	13	13	10	0	15	107	30	4	14	16	40	0	16	309	23	0	610

Alliant Engineering

Minneapolis, MN 55415

--TRAFFIC DATA --

TH-110 at Lexington Ave.
 Ref.Pt.: 000+01.088
 data by Alliant Engineering
 TURN MOVEMENT COUNT

File Name : 412 - TH 110 and Lexington Ave
 Site Code : 412
 Start Date : 4/9/2015
 Page No : 2

Groups Printed- Cars - Trucks

Start Time	Lexington Ave Southbound				TH-110 Westbound				Lexington Ave Northbound				TH-110 Eastbound				Int. Total
	Left	Thru	Rght	Bikes	Left	Thru	Rght	Bikes	Left	Thru	Rght	Bikes	Left	Thru	Rght	Bikes	
16:45	15	15	14	0	21	98	7	3	17	15	39	0	23	287	24	0	578
Total	62	64	41	0	91	471	55	7	56	78	180	0	80	1193	84	0	2462
17:00	11	17	3	0	24	119	18	0	18	21	79	0	31	342	23	0	706
17:15	13	25	11	0	27	143	16	0	25	29	72	0	22	315	23	0	721
17:30	4	13	6	0	15	111	12	0	12	16	29	0	35	263	12	0	528
17:45	6	11	8	0	13	99	6	0	3	1	9	0	4	250	7	0	417
Total	34	66	28	0	79	472	52	0	58	67	189	0	92	1170	65	0	2372
*** BREAK ***																	
Grand Total	522	593	509	0	1788	6320	434	9	482	506	1231	0	452	6719	602	0	20167
Apprch %	32.1	36.5	31.3	0	20.9	73.9	5.1	0.1	21.7	22.8	55.5	0	5.8	86.4	7.7	0	
Total %	2.6	2.9	2.5	0	8.9	31.3	2.2	0	2.4	2.5	6.1	0	2.2	33.3	3	0	
Cars	499	573	503	0	1728	6169	414	9	469	485	1198	0	443	6560	592	0	19642
% Cars	95.6	96.6	98.8	0	96.6	97.6	95.4	100	97.3	95.8	97.3	0	98	97.6	98.3	0	97.4
Trucks	23	20	6	0	60	151	20	0	13	21	33	0	9	159	10	0	525
% Trucks	4.4	3.4	1.2	0	3.4	2.4	4.6	0	2.7	4.2	2.7	0	2	2.4	1.7	0	2.6

Alliant Engineering

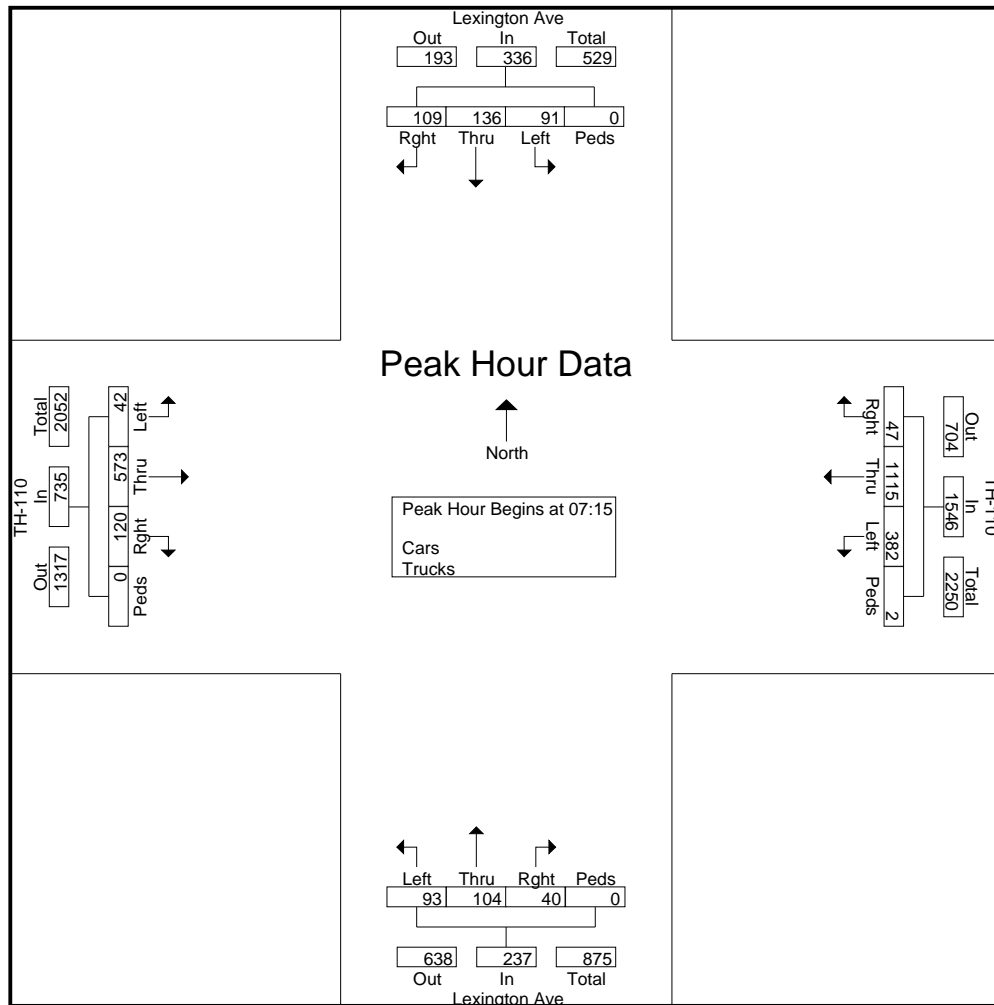
Minneapolis, MN 55415

--TRAFFIC DATA --

TH-110 at Lexington Ave.
 Ref.Pt.: 000+01.088
 data by Alliant Engineering
 TURN MOVEMENT COUNT

File Name : 412 - TH 110 and Lexington Ave
 Site Code : 412
 Start Date : 4/9/2015
 Page No : 3

Start Time	Lexington Ave Southbound					TH-110 Westbound					Lexington Ave Northbound					TH-110 Eastbound					Int. Total
	Left	Thru	Right	Bikes	App. Total	Left	Thru	Right	Bikes	App. Total	Left	Thru	Right	Bikes	App. Total	Left	Thru	Right	Bikes	App. Total	
Peak Hour Analysis From 06:00 to 11:45 - Peak 1 of 1																					
Peak Hour for Entire Intersection Begins at 07:15																					
07:15	13	21	29	0	63	60	329	8	0	397	13	14	11	0	38	11	139	23	0	173	671
07:30	16	29	30	0	75	99	279	16	2	396	28	32	10	0	70	9	132	33	0	174	715
07:45	47	55	22	0	124	101	274	14	0	389	29	34	9	0	72	16	160	42	0	218	803
08:00	15	31	28	0	74	122	233	9	0	364	23	24	10	0	57	6	142	22	0	170	665
Total Volume	91	136	109	0	336	382	1115	47	2	1546	93	104	40	0	237	42	573	120	0	735	2854
% App. Total	27.1	40.5	32.4	0		24.7	72.1	3	0.1		39.2	43.9	16.9	0		5.7	78	16.3	0		
PHF	.484	.618	.908	.000	.677	.783	.847	.734	.250	.974	.802	.765	.909	.000	.823	.656	.895	.714	.000	.843	.889



Alliant Engineering

Minneapolis, MN 55415

--TRAFFIC DATA --

TH-110 at Lexington Ave.
 Ref.Pt.: 000+01.088
 data by Alliant Engineering
 TURN MOVEMENT COUNT

File Name : 412 - TH 110 and Lexington Ave
 Site Code : 412
 Start Date : 4/9/2015
 Page No : 4

Start Time	Lexington Ave Southbound					TH-110 Westbound					Lexington Ave Northbound					TH-110 Eastbound					Int. Total
	Left	Thru	Rght	Bikes	App. Total	Left	Thru	Rght	Bikes	App. Total	Left	Thru	Rght	Bikes	App. Total	Left	Thru	Rght	Bikes	App. Total	
Peak Hour Analysis From 12:00 to 18:00 - Peak 1 of 1																					
Peak Hour for Entire Intersection Begins at 16:30																					
16:30	13	13	10	0	36	15	107	30	4	156	14	16	40	0	70	16	309	23	0	348	610
16:45	15	15	14	0	44	21	98	7	3	129	17	15	39	0	71	23	287	24	0	334	578
17:00	11	17	3	0	31	24	119	18	0	161	18	21	79	0	118	31	342	23	0	396	706
17:15	13	25	11	0	49	27	143	16	0	186	25	29	72	0	126	22	315	23	0	360	721
Total Volume	52	70	38	0	160	87	467	71	7	632	74	81	230	0	385	92	1253	93	0	1438	2615
% App. Total	32.5	43.8	23.8	0		13.8	73.9	11.2	1.1		19.2	21	59.7	0		6.4	87.1	6.5	0		
PHF	.867	.700	.679	.000	.816	.806	.816	.592	.438	.849	.740	.698	.728	.000	.764	.742	.916	.969	.000	.908	.907

