



MINNESOTA DEPT OF TRANSPORTATION

TRAFFIC DATA COLLECTION - METRO

TH-65 / Central Ave at 47th Ave NE
 Ref.Pt.: 005.386
 JAMAR #D4-3365 CH
 TURN MOVEMENT COUNT

File Name : TH-65 at 47th Ave NE 2009
 Site Code : 00000000
 Start Date : 4/22/2009
 Page No : 1

Groups Printed- Cars & Trucks

Start Time	TH-65 / CENTRAL AVE NE Southbound				47TH AVE NE Westbound				TH-65 / CENTRAL AVE NE Northbound				Eastbound	Int. Total
	Left	Thru	Right	Peds	Left	Thru	Right	Peds	Left	Thru	Right	Peds	Peds	
06:00	1	93	0	0	0	0	3	0	0	59	0	2	2	160
06:15	0	145	0	0	4	0	3	0	0	82	2	2	3	241
06:30	1	171	0	0	3	0	7	0	0	107	3	0	0	292
06:45	0	165	0	0	1	0	5	0	0	124	0	2	1	298
Total	2	574	0	0	8	0	18	0	0	372	5	6	6	991
07:00	1	177	0	0	1	0	6	0	0	118	1	0	3	307
07:15	0	234	0	0	1	0	4	0	0	137	1	7	9	393
07:30	0	251	0	0	3	0	12	0	0	165	2	12	4	449
07:45	7	319	0	0	2	0	6	0	0	176	3	6	9	528
Total	8	981	0	0	7	0	28	0	0	596	7	25	25	1677
08:00	0	237	0	0	3	0	8	0	0	161	4	4	5	422
08:15	2	200	0	0	0	0	1	0	0	162	2	2	7	376
08:30	1	192	0	0	3	0	3	0	0	128	4	1	1	333
08:45	0	164	0	0	4	0	6	0	0	152	4	2	2	334
Total	3	793	0	0	10	0	18	0	0	603	14	9	15	1465
---BREAK---														
11:00	3	201	0	1	1	0	7	1	0	181	2	0	3	400
11:15	2	206	0	0	3	0	5	0	1	199	7	2	4	429
11:30	7	220	0	0	1	0	10	0	0	203	5	0	3	449
11:45	4	225	0	0	3	0	1	0	0	256	7	0	3	499
Total	16	852	0	1	8	0	23	1	1	839	21	2	13	1777
12:00	5	240	0	0	2	0	11	0	1	236	5	3	1	504
12:15	4	205	0	0	1	0	6	0	0	241	6	11	11	485
12:30	6	231	0	0	1	0	6	0	0	231	7	2	5	489
12:45	1	272	0	0	3	0	2	0	0	274	5	8	6	571
Total	16	948	0	0	7	0	25	0	1	982	23	24	23	2049
---BREAK---														
15:00	4	217	10	0	0	0	8	1	0	293	4	3	2	542
15:15	5	268	0	0	2	0	17	0	0	334	14	11	15	666
15:30	4	258	0	0	0	0	9	0	0	287	3	11	17	589
15:45	2	239	0	0	4	0	9	1	0	323	6	5	4	593
Total	15	982	10	0	6	0	43	2	0	1237	27	30	38	2390
16:00	2	257	0	0	1	0	6	1	0	334	4	7	5	617
16:15	6	269	0	0	4	0	12	7	1	337	8	6	5	655
16:30	3	250	0	0	1	0	7	2	0	377	3	5	6	654
16:45	3	252	0	0	3	0	6	0	0	341	5	4	8	622
Total	14	1028	0	0	9	0	31	10	1	1389	20	22	24	2548
17:00	4	286	0	0	2	0	9	1	2	388	5	7	4	708
17:15	3	246	0	0	3	0	10	1	0	355	10	6	1	635
17:30	3	236	0	0	0	0	6	0	1	298	2	3	4	553
17:45	4	272	0	0	1	0	9	3	0	329	1	15	9	643
Total	14	1040	0	0	6	0	34	5	3	1370	18	31	18	2539
Grand Total	88	7198	10	1	61	0	220	18	6	7388	135	149	162	15436
Apprch %	1.2	98.6	0.1	0	20.4	0	73.6	6	0.1	96.2	1.8	1.9	100	
Total %	0.6	46.6	0.1	0	0.4	0	1.4	0.1	0	47.9	0.9	1	1	



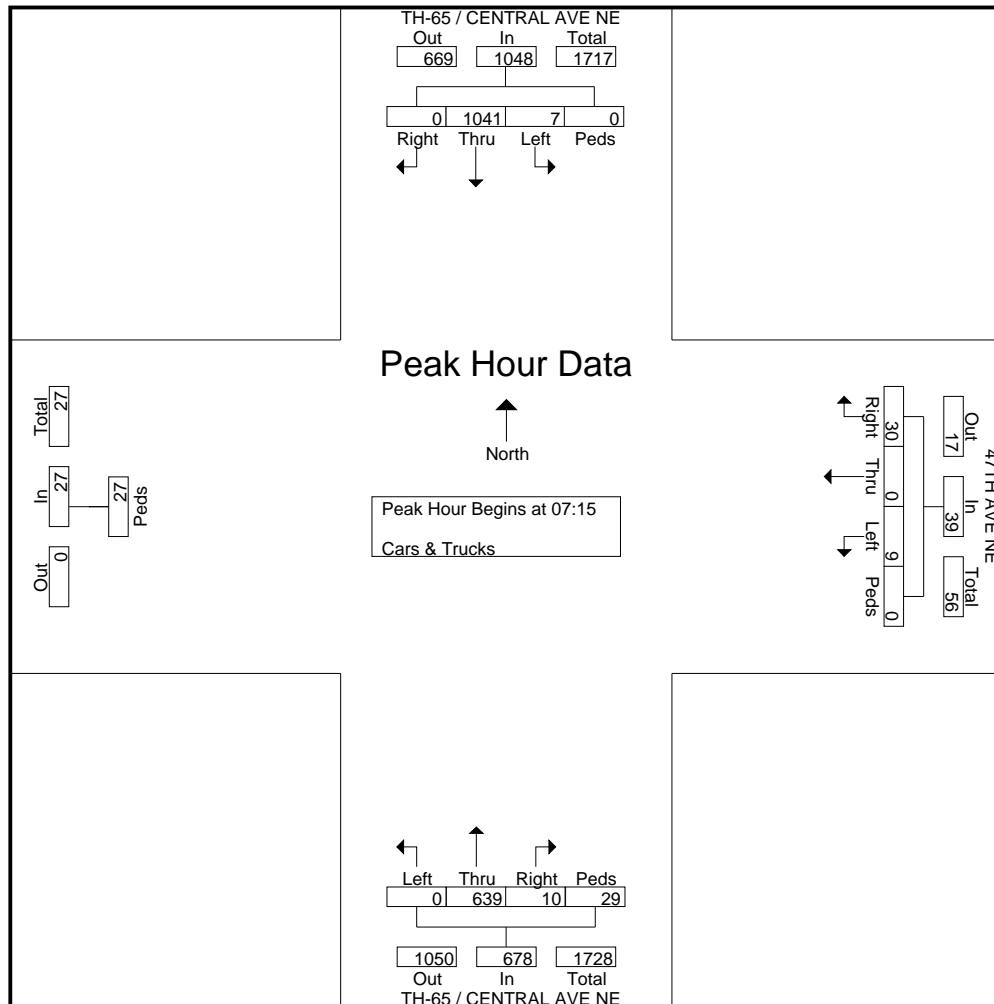
MINNESOTA DEPT OF TRANSPORTATION

TRAFFIC DATA COLLECTION - METRO

TH-65 / Central Ave at 47th Ave NE
 Ref.Pt.: 005.386
 JAMAR #D4-3365 CH
 TURN MOVEMENT COUNT

File Name : TH-65 at 47th Ave NE 2009
 Site Code : 00000000
 Start Date : 4/22/2009
 Page No : 3

Start Time	TH-65 / CENTRAL AVE NE Southbound					47TH AVE NE Westbound					TH-65 / CENTRAL AVE NE Northbound					Eastbound		
	Left	Thru	Right	Peds	App. Total	Left	Thru	Right	Peds	App. Total	Left	Thru	Right	Peds	App. Total	Peds	App. Total	Int. Total
Peak Hour Analysis From 06:00 to 08:45 - Peak 1 of 1																		
Peak Hour for Entire Intersection Begins at 07:15																		
07:15	0	234	0	0	234	1	0	4	0	5	0	137	1	7	145	9	9	393
07:30	0	251	0	0	251	3	0	12	0	15	0	165	2	12	179	4	4	449
07:45	7	319	0	0	326	2	0	6	0	8	0	176	3	6	185	9	9	528
08:00	0	237	0	0	237	3	0	8	0	11	0	161	4	4	169	5	5	422
Total Volume	7	1041	0	0	1048	9	0	30	0	39	0	639	10	29	678	27	27	1792
% App. Total	0.7	99.3	0	0		23.1	0	76.9	0		0	94.2	1.5	4.3		100		
PHF	.250	.816	.000	.000	.804	.750	.000	.625	.000	.650	.000	.908	.625	.604	.916	.750	.750	.848





MINNESOTA DEPT OF TRANSPORTATION

TRAFFIC DATA COLLECTION - METRO

TH-65 / Central Ave at 47th Ave NE
 Ref.Pt.: 005.386
 JAMAR #D4-3365 CH
 TURN MOVEMENT COUNT

File Name : TH-65 at 47th Ave NE 2009
 Site Code : 00000000
 Start Date : 4/22/2009
 Page No : 4

Start Time	TH-65 / CENTRAL AVE NE Southbound					47TH AVE NE Westbound					TH-65 / CENTRAL AVE NE Northbound					Eastbound		Int. Total
	Left	Thru	Right	Peds	App. Total	Left	Thru	Right	Peds	App. Total	Left	Thru	Right	Peds	App. Total	Peds	App. Total	
Peak Hour Analysis From 15:00 to 17:45 - Peak 1 of 1																		
Peak Hour for Entire Intersection Begins at 16:15																		
16:15	6	269	0	0	275	4	0	12	7	23	1	337	8	6	352	5	5	655
16:30	3	250	0	0	253	1	0	7	2	10	0	377	3	5	385	6	6	654
16:45	3	252	0	0	255	3	0	6	0	9	0	341	5	4	350	8	8	622
17:00	4	286	0	0	290	2	0	9	1	12	2	388	5	7	402	4	4	708
Total Volume	16	1057	0	0	1073	10	0	34	10	54	3	1443	21	22	1489	23	23	2639
% App. Total	1.5	98.5	0	0		18.5	0	63	18.5		0.2	96.9	1.4	1.5		100		
PHF	.667	.924	.000	.000	.925	.625	.000	.708	.357	.587	.375	.930	.656	.786	.926	.719	.719	.932

