



MINNESOTA DEPT OF TRANSPORTATION

TRAFFIC DATA COLLECTION - METRO

loc: th 65 at i-694 north ramp 2003
 ref pt: 006+00.356
 data collect by: alliant eng
 tmc: am noon pm

File Name : T.H. 65 at I-694 North
 Site Code : 00000011
 Start Date : 8/7/2003
 Page No : 1

Groups Printed- Unshifted

Start Time	T.H. 65 Southbound					I-694 N Ramps Westbound					T.H. 65 Northbound					I-694 N Ramps Eastbound					Int. Total
	Left	Thru	Right	Peds	App. Total	Left	Thru	Right	Peds	App. Total	Left	Thru	Right	Peds	App. Total	Left	Thru	Right	Peds	App. Total	
06:00	0	132	0	0	132	20	0	34	0	54	0	119	4	0	123	0	0	0	0	0	309
06:15	1	176	0	0	177	30	0	34	0	64	0	144	0	0	144	0	0	0	0	0	385
06:30	0	239	0	0	239	32	0	57	0	89	0	182	0	0	182	0	0	0	0	0	510
06:45	0	237	0	0	237	38	0	88	0	126	0	192	0	0	192	0	0	0	0	0	555
Total	1	784	0	0	785	120	0	213	0	333	0	637	4	0	641	0	0	0	0	0	1759
07:00	0	217	0	0	217	47	0	84	0	131	0	206	0	0	206	0	0	0	0	0	554
07:15	0	351	1	0	352	85	0	88	0	173	0	225	0	0	225	0	0	0	0	0	750
07:30	0	271	0	0	271	38	0	86	0	124	0	265	7	0	272	0	0	0	0	0	667
07:45	0	273	0	0	273	50	0	150	0	200	0	276	0	0	276	0	0	0	1	1	750
Total	0	1112	1	0	1113	220	0	408	0	628	0	972	7	0	979	0	0	0	1	1	2721
08:00	0	191	0	0	191	30	1	100	0	131	0	258	0	0	258	0	0	0	0	0	580
08:15	0	227	0	0	227	52	0	109	0	161	0	272	0	0	272	0	0	0	1	1	661
08:30	0	180	0	0	180	49	5	89	0	143	0	233	0	0	233	0	0	0	0	0	556
08:45	0	208	0	0	208	62	0	105	0	167	0	212	0	0	212	0	0	0	0	0	587
Total	0	806	0	0	806	193	6	403	0	602	0	975	0	0	975	0	0	0	1	1	2384
11:00	0	229	0	0	229	74	0	83	0	157	0	302	0	0	302	0	0	0	0	0	688
11:15	0	223	0	0	223	71	0	89	1	161	0	292	0	0	292	0	0	0	1	1	677
11:30	0	285	0	0	285	84	0	103	0	187	0	306	0	0	306	0	0	0	0	0	778
11:45	0	274	0	0	274	73	0	113	0	186	0	291	0	0	291	0	0	0	0	0	751
Total	0	1011	0	0	1011	302	0	388	1	691	0	1191	0	0	1191	0	0	0	1	1	2894
12:00	0	277	0	0	277	68	0	78	0	146	0	321	0	0	321	0	0	0	0	0	744
12:15	0	221	0	0	221	79	0	104	0	183	0	290	0	0	290	0	0	0	0	0	694
12:30	0	245	0	0	245	67	0	98	0	165	0	284	0	0	284	0	0	0	0	0	694
12:45	0	252	0	0	252	73	0	100	0	173	0	316	0	0	316	0	0	0	0	0	741
Total	0	995	0	0	995	287	0	380	0	667	0	1211	0	0	1211	0	0	0	0	0	2873



MINNESOTA DEPT OF TRANSPORTATION

TRAFFIC DATA COLLECTION - METRO

File Name : T.H. 65 at I-694 North
 Site Code : 00000011
 Start Date : 8/7/2003
 Page No : 2

Groups Printed- Unshifted

Start Time	T.H. 65 Southbound					I-694 N Ramps Westbound					T.H. 65 Northbound					I-694 N Ramps Eastbound					Int. Total
	Left	Thru	Right	Peds	App. Total	Left	Thru	Right	Peds	App. Total	Left	Thru	Right	Peds	App. Total	Left	Thru	Right	Peds	App. Total	
15:00	0	247	0	0	247	86	0	116	0	202	0	421	0	0	421	0	0	0	0	0	870
15:15	0	240	0	0	240	66	0	106	0	172	4	411	0	0	415	0	0	0	0	0	827
15:30	0	223	0	0	223	47	36	69	0	152	0	426	0	0	426	0	0	0	0	0	801
15:45	0	225	0	0	225	55	0	66	0	121	1	399	0	0	400	0	1	1	0	2	748
Total	0	935	0	0	935	254	36	357	0	647	5	1657	0	0	1662	0	1	1	0	2	3246
16:00	0	238	0	0	238	61	0	127	0	188	0	530	0	0	530	0	0	0	0	0	956
16:15	0	232	0	0	232	67	0	94	0	161	0	442	0	0	442	0	0	0	0	0	835
16:30	0	247	0	0	247	72	0	92	0	164	0	477	0	0	477	0	0	0	0	0	888
16:45	0	235	0	0	235	76	0	112	0	188	0	463	0	0	463	0	0	0	0	0	886
Total	0	952	0	0	952	276	0	425	0	701	0	1912	0	0	1912	0	0	0	0	0	3565
17:00	0	274	0	0	274	60	0	87	0	147	0	461	0	0	461	0	0	0	0	0	882
17:15	0	228	0	0	228	73	0	123	1	197	0	506	0	0	506	0	0	0	0	0	931
17:30	0	236	0	0	236	57	0	106	0	163	0	516	0	0	516	0	0	0	0	0	915
17:45	0	185	0	0	185	67	0	95	0	162	0	465	0	0	465	0	0	0	0	0	812
Total	0	923	0	0	923	257	0	411	1	669	0	1948	0	0	1948	0	0	0	0	0	3540
Grand Total	1	7518	1	0	7520	1909	42	2985	2	4938	5	10503	11	0	10519	0	1	1	3	5	22982
Apprch %	0	100	0	0		38.7	0.9	60.4	0		0	99.8	0.1	0		0	20	20	60		
Total %	0	32.7	0	0	32.7	8.3	0.2	13	0	21.5	0	45.7	0	0	45.8	0	0	0	0	0	

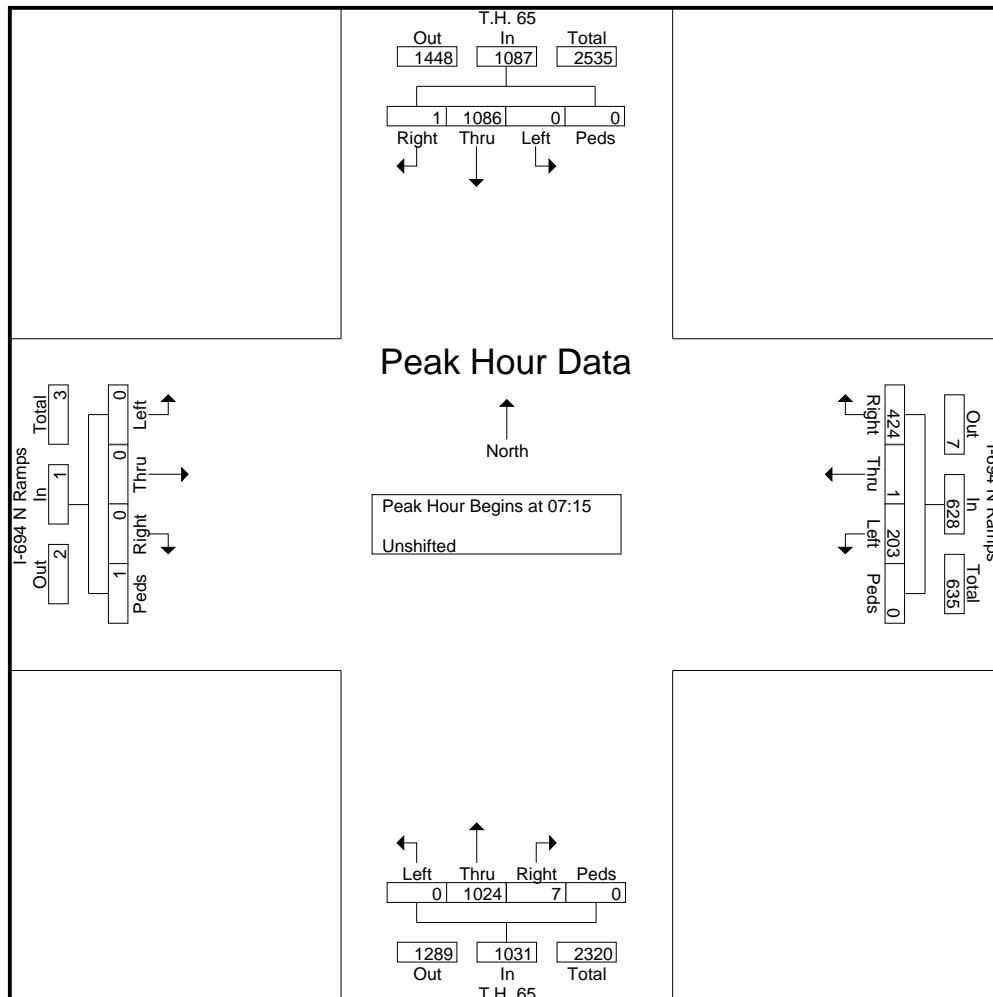


MINNESOTA DEPT OF TRANSPORTATION

TRAFFIC DATA COLLECTION - METRO

File Name : T.H. 65 at I-694 North
 Site Code : 00000011
 Start Date : 8/7/2003
 Page No : 3

Start Time	T.H. 65 Southbound					I-694 N Ramps Westbound					T.H. 65 Northbound					I-694 N Ramps Eastbound					Int. Total
	Left	Thru	Right	Peds	App. Total	Left	Thru	Right	Peds	App. Total	Left	Thru	Right	Peds	App. Total	Left	Thru	Right	Peds	App. Total	
Peak Hour Analysis From 06:00 to 09:45 - Peak 1 of 1																					
Peak Hour for Entire Intersection Begins at 07:15																					
07:15	0	351	1	0	352	85	0	88	0	173	0	225	0	0	225	0	0	0	0	0	750
07:30	0	271	0	0	271	38	0	86	0	124	0	265	7	0	272	0	0	0	0	0	667
07:45	0	273	0	0	273	50	0	150	0	200	0	276	0	0	276	0	0	0	1	1	750
08:00	0	191	0	0	191	30	1	100	0	131	0	258	0	0	258	0	0	0	0	0	580
Total Volume	0	1086	1	0	1087	203	1	424	0	628	0	1024	7	0	1031	0	0	0	1	1	2747
% App. Total	0	99.9	0.1	0		32.3	0.2	67.5	0		0	99.3	0.7	0		0	0	0	100		
PHF	.000	.774	.250	.000	.772	.597	.250	.707	.000	.785	.000	.928	.250	.000	.934	.000	.000	.000	.250	.250	.916



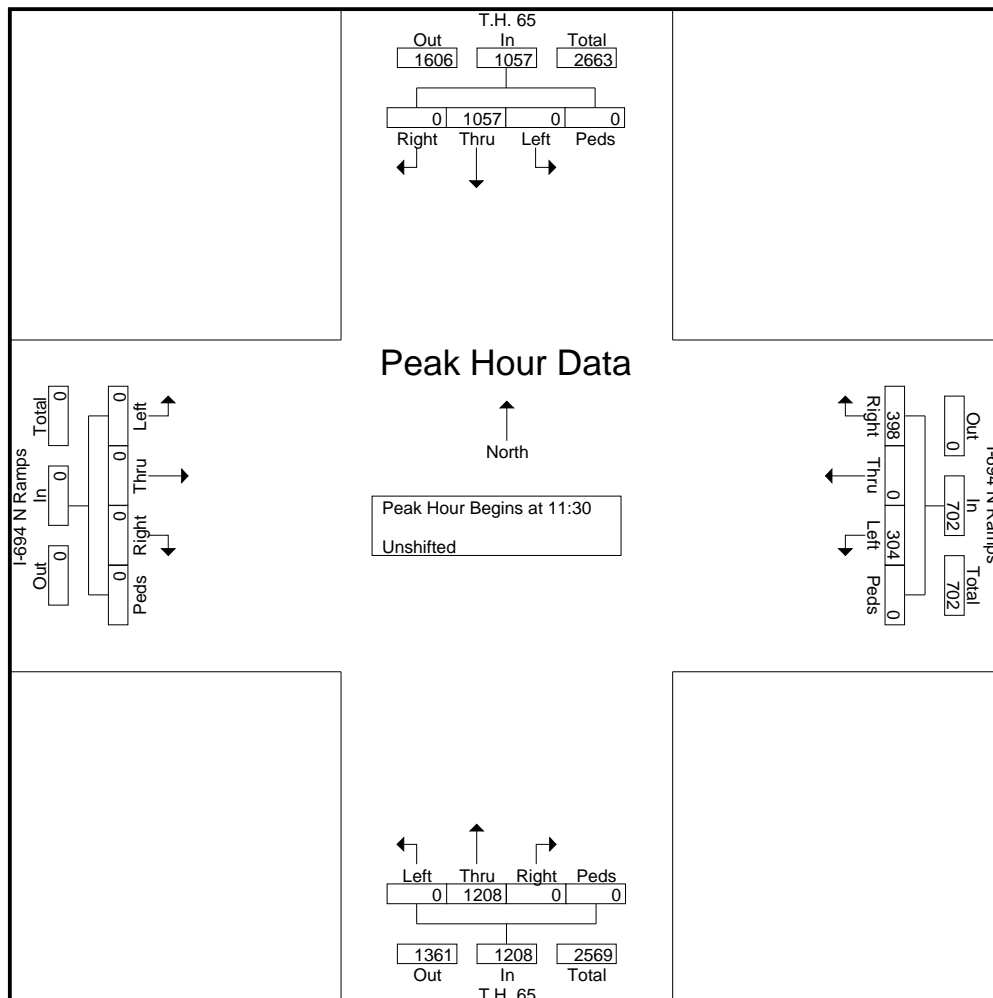


MINNESOTA DEPT OF TRANSPORTATION

TRAFFIC DATA COLLECTION - METRO

File Name : T.H. 65 at I-694 North
 Site Code : 00000011
 Start Date : 8/7/2003
 Page No : 4

Start Time	T.H. 65 Southbound					I-694 N Ramps Westbound					T.H. 65 Northbound					I-694 N Ramps Eastbound					Int. Total
	Left	Thru	Right	Peds	App. Total	Left	Thru	Right	Peds	App. Total	Left	Thru	Right	Peds	App. Total	Left	Thru	Right	Peds	App. Total	
Peak Hour Analysis From 10:00 to 13:45 - Peak 1 of 1																					
Peak Hour for Entire Intersection Begins at 11:30																					
11:30	0	285	0	0	285	84	0	103	0	187	0	306	0	0	306	0	0	0	0	0	778
11:45	0	274	0	0	274	73	0	113	0	186	0	291	0	0	291	0	0	0	0	0	751
12:00	0	277	0	0	277	68	0	78	0	146	0	321	0	0	321	0	0	0	0	0	744
12:15	0	221	0	0	221	79	0	104	0	183	0	290	0	0	290	0	0	0	0	0	694
Total Volume	0	1057	0	0	1057	304	0	398	0	702	0	1208	0	0	1208	0	0	0	0	0	2967
% App. Total	0	100	0	0		43.3	0	56.7	0		0	100	0	0		0	0	0	0		
PHF	.000	.927	.000	.000	.927	.905	.000	.881	.000	.939	.000	.941	.000	.000	.941	.000	.000	.000	.000	.000	.953





MINNESOTA DEPT OF TRANSPORTATION

TRAFFIC DATA COLLECTION - METRO

File Name : T.H. 65 at I-694 North
 Site Code : 00000011
 Start Date : 8/7/2003
 Page No : 5

Start Time	T.H. 65 Southbound					I-694 N Ramps Westbound					T.H. 65 Northbound					I-694 N Ramps Eastbound					Int. Total
	Left	Thru	Right	Peds	App. Total	Left	Thru	Right	Peds	App. Total	Left	Thru	Right	Peds	App. Total	Left	Thru	Right	Peds	App. Total	
Peak Hour Analysis From 14:00 to 17:45 - Peak 1 of 1																					
Peak Hour for Entire Intersection Begins at 16:45																					
16:45	0	235	0	0	235	76	0	112	0	188	0	463	0	0	463	0	0	0	0	0	886
17:00	0	274	0	0	274	60	0	87	0	147	0	461	0	0	461	0	0	0	0	0	882
17:15	0	228	0	0	228	73	0	123	1	197	0	506	0	0	506	0	0	0	0	0	931
17:30	0	236	0	0	236	57	0	106	0	163	0	516	0	0	516	0	0	0	0	0	915
Total Volume	0	973	0	0	973	266	0	428	1	695	0	1946	0	0	1946	0	0	0	0	0	3614
% App. Total	0	100	0	0		38.3	0	61.6	0.1		0	100	0	0		0	0	0	0		
PHF	.000	.888	.000	.000	.888	.875	.000	.870	.250	.882	.000	.943	.000	.000	.943	.000	.000	.000	.000	.000	.970

