

Associated Consulting Services (ACS)

Saint Paul, MN 55127

-- TRAFFIC DATA --

TH-95 at Nelson St._2019

Ref Pt: 104+00.257

Data Prepared By: ACS

TURNING MOVEMENT COUNT

File Name : TH-95 at Nelson St._2019

Site Code :

Start Date : 6/6/2019

Page No : 1

Groups Printed- Cars - Trucks

Start Time	TH-95 Southbound				Nelson St Westbound				TH-95 Northbound				Nelson St Eastbound				Int. Total	
	Left	Thru	Right	Peds	Left	Thru	Right	Peds	Left	Thru	Right	Peds	Left	Thru	Right	Peds		
06:00	0	49	0	0	0	0	0	0	0	24	0	0	0	0	0	0	1	74
06:15	1	57	2	0	0	0	0	1	0	26	3	1	0	0	1	1	1	93
06:30	1	68	0	2	0	0	0	0	0	49	1	1	1	0	0	1	1	124
06:45	0	59	0	1	1	0	0	0	3	50	3	1	0	0	1	2	2	121
Total	2	233	2	3	1	0	0	1	3	149	7	3	1	0	2	5	412	
07:00	3	67	0	0	0	0	0	1	0	74	2	5	0	2	4	2	2	160
07:15	0	66	0	1	2	0	2	0	0	60	3	0	0	0	5	0	0	139
07:30	0	77	0	2	1	0	1	0	0	61	4	0	0	0	2	0	0	148
07:45	4	61	0	2	2	0	2	0	6	103	1	4	0	1	4	3	3	193
Total	7	271	0	5	5	0	5	1	6	298	10	9	0	3	15	5	640	
08:00	1	51	0	2	4	1	0	6	2	68	6	8	2	0	4	6	6	161
08:15	2	63	0	2	0	0	3	3	1	58	5	0	1	1	3	2	2	144
08:30	3	62	1	2	7	0	6	5	3	71	11	1	1	0	3	3	3	179
08:45	7	63	0	5	5	0	1	2	1	89	9	4	0	3	0	9	9	198
Total	13	239	1	11	16	1	10	16	7	286	31	13	4	4	10	20	682	
09:00	8	49	0	2	4	1	6	0	1	68	12	5	0	4	1	8	8	169
09:15	8	54	1	10	1	0	6	4	3	54	8	3	0	2	5	14	14	173
09:30	5	48	2	10	6	0	2	6	3	73	9	6	2	0	1	3	3	176
09:45	8	54	0	14	8	2	3	1	7	92	14	9	3	2	7	5	5	229
Total	29	205	3	36	19	3	17	11	14	287	43	23	5	8	14	30	747	
10:00	8	75	0	3	3	2	5	3	5	66	6	3	1	0	7	1	1	188
10:15	6	65	3	8	9	2	2	5	0	64	10	5	1	1	4	15	15	200
10:30	4	60	2	11	7	0	1	12	9	73	12	21	1	0	3	19	19	235
10:45	8	74	3	12	11	1	4	21	8	91	9	23	1	0	8	19	19	293
Total	26	274	8	34	30	5	12	41	22	294	37	52	4	1	22	54	916	
11:00	3	74	2	18	1	1	5	15	2	70	10	13	5	0	8	12	12	239
11:15	8	78	7	20	4	2	7	7	3	75	11	2	4	0	5	12	12	245
11:30	7	61	4	8	9	2	3	9	5	83	19	9	2	0	9	11	11	241
11:45	14	64	2	10	8	1	5	14	6	76	24	11	5	1	4	26	26	271
Total	32	277	15	56	22	6	20	45	16	304	64	35	16	1	26	61	996	
12:00	17	89	2	17	18	1	0	8	7	80	13	1	2	2	2	19	19	278
12:15	13	75	2	32	8	2	8	15	4	63	9	24	1	1	5	13	13	275
12:30	3	77	1	14	6	4	11	14	3	73	7	21	0	1	15	12	12	262
12:45	6	74	2	12	13	0	6	8	5	75	13	5	1	0	5	15	15	240
Total	39	315	7	75	45	7	25	45	19	291	42	51	4	4	27	59	1055	
13:00	9	69	1	23	23	3	9	20	2	77	14	24	2	1	11	15	15	303
13:15	5	68	2	40	16	3	7	23	6	69	7	26	0	2	4	14	14	292
13:30	7	81	1	20	19	0	9	14	0	75	5	11	0	1	2	23	23	268
13:45	6	97	3	17	16	2	7	20	3	75	8	13	5	2	10	22	22	306
Total	27	315	7	100	74	8	32	77	11	296	34	74	7	6	27	74	1169	
14:00	3	88	3	27	12	1	7	11	5	79	7	5	3	3	9	24	24	287
14:15	2	72	1	29	16	1	7	18	2	93	8	7	1	2	8	12	12	279
14:30	3	92	1	29	12	1	7	21	2	83	8	7	0	3	4	21	21	294

Associated Consulting Services (ACS)

Saint Paul, MN 55127

-- TRAFFIC DATA --

TH-95 at Nelson St._2019

Ref Pt: 104+00.257

Data Prepared By: ACS

TURNING MOVEMENT COUNT

File Name : TH-95 at Nelson St._2019

Site Code :

Start Date : 6/6/2019

Page No : 2

Groups Printed- Cars - Trucks

Start Time	TH-95 Southbound				Nelson St Westbound				TH-95 Northbound				Nelson St Eastbound				Int. Total
	Left	Thru	Right	Peds	Left	Thru	Right	Peds	Left	Thru	Right	Peds	Left	Thru	Right	Peds	
14:45	5	90	0	42	16	0	9	25	5	107	7	15	1	3	6	29	360
Total	13	342	5	127	56	3	30	75	14	362	30	34	5	11	27	86	1220
15:00	3	97	2	13	13	3	10	0	2	104	11	2	1	5	8	15	289
15:15	0	95	2	34	17	1	7	8	2	92	5	6	0	0	6	11	286
15:30	6	103	1	28	8	1	6	18	8	95	13	6	1	3	10	20	327
15:45	11	111	3	25	12	1	7	8	3	114	21	9	0	2	6	22	355
Total	20	406	8	100	50	6	30	34	15	405	50	23	2	10	30	68	1257
16:00	7	98	2	24	12	5	4	9	6	93	9	15	4	3	5	24	320
16:15	3	112	2	19	8	0	8	4	5	104	4	7	1	2	9	12	300
16:30	7	117	5	10	7	1	7	9	5	118	17	7	0	4	4	10	328
16:45	4	128	2	34	8	4	2	10	2	121	10	9	1	6	3	19	363
Total	21	455	11	87	35	10	21	32	18	436	40	38	6	15	21	65	1311
17:00	6	108	4	24	14	1	10	11	5	103	10	9	3	1	9	21	339
17:15	10	135	2	23	9	1	6	13	1	100	9	6	2	1	2	27	347
17:30	8	115	4	12	9	1	8	15	9	103	16	20	4	4	7	29	364
17:45	6	94	0	9	14	3	5	11	4	101	9	19	3	3	3	28	312
Total	30	452	10	68	46	6	29	50	19	407	44	54	12	9	21	105	1362
Grand Total	259	3784	77	702	399	55	231	428	164	3815	432	409	66	72	242	632	11767
Apprch %	5.4	78.5	1.6	14.6	35.8	4.9	20.8	38.5	3.4	79.1	9	8.5	6.5	7.1	23.9	62.5	
Total %	2.2	32.2	0.7	6	3.4	0.5	2	3.6	1.4	32.4	3.7	3.5	0.6	0.6	2.1	5.4	
Cars	257	3634	77	702	394	55	220	428	162	3686	424	409	62	67	235	632	11444
% Cars	99.2	96	100	100	98.7	100	95.2	100	98.8	96.6	98.1	100	93.9	93.1	97.1	100	97.3
Trucks	2	150	0	0	5	0	11	0	2	129	8	0	4	5	7	0	323
% Trucks	0.8	4	0	0	1.3	0	4.8	0	1.2	3.4	1.9	0	6.1	6.9	2.9	0	2.7

Associated Consulting Services (ACS)

Saint Paul, MN 55127

-- TRAFFIC DATA --

TH-95 at Nelson St._2019

Ref Pt: 104+00.257

Data Prepared By: ACS

TURNING MOVEMENT COUNT

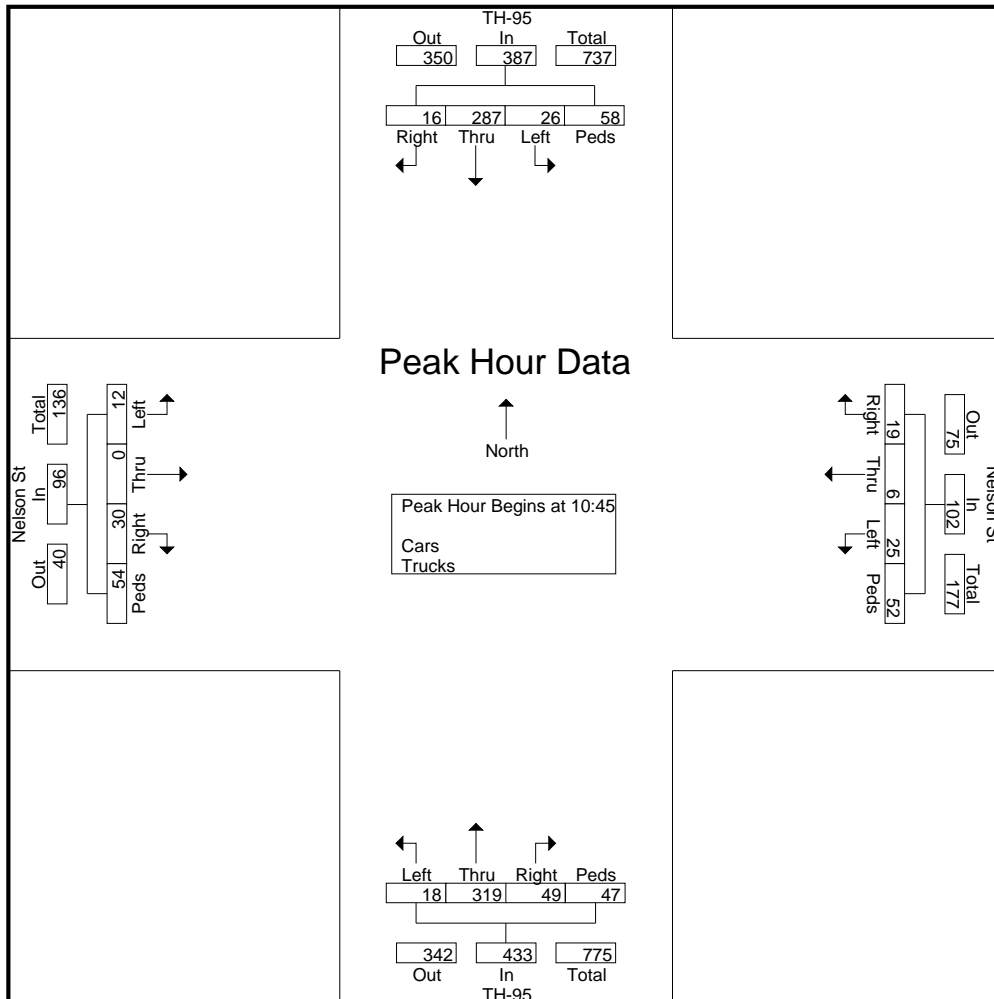
File Name : TH-95 at Nelson St._2019

Site Code :

Start Date : 6/6/2019

Page No : 3

Start Time	TH-95 Southbound					Nelson St Westbound					TH-95 Northbound					Nelson St Eastbound					Int. Total
	Left	Thru	Right	Peds	App. Total	Left	Thru	Right	Peds	App. Total	Left	Thru	Right	Peds	App. Total	Left	Thru	Right	Peds	App. Total	
Peak Hour Analysis From 06:00 to 11:45 - Peak 1 of 1																					
Peak Hour for Entire Intersection Begins at 10:45																					
10:45	8	74	3	12	97	11	1	4	21	37	8	91	9	23	131	1	0	8	19	28	293
11:00	3	74	2	18	97	1	1	5	15	22	2	70	10	13	95	5	0	8	12	25	239
11:15	8	78	7	20	113	4	2	7	7	20	3	75	11	2	91	4	0	5	12	21	245
11:30	7	61	4	8	80	9	2	3	9	23	5	83	19	9	116	2	0	9	11	22	241
Total Volume	26	287	16	58	387	25	6	19	52	102	18	319	49	47	433	12	0	30	54	96	1018
% App. Total	6.7	74.2	4.1	15		24.5	5.9	18.6	51		4.2	73.7	11.3	10.9		12.5	0	31.2	56.2		
PHF	.813	.920	.571	.725	.856	.568	.750	.679	.619	.689	.563	.876	.645	.511	.826	.600	.000	.833	.711	.857	.869



Associated Consulting Services (ACS)

Saint Paul, MN 55127

-- TRAFFIC DATA --

TH-95 at Nelson St._2019

Ref Pt: 104+00.257

Data Prepared By: ACS

TURNING MOVEMENT COUNT

File Name : TH-95 at Nelson St._2019

Site Code :

Start Date : 6/6/2019

Page No : 4

Start Time	TH-95 Southbound					Nelson St Westbound					TH-95 Northbound					Nelson St Eastbound					Int. Total
	Left	Thru	Right	Peds	App. Total	Left	Thru	Right	Peds	App. Total	Left	Thru	Right	Peds	App. Total	Left	Thru	Right	Peds	App. Total	
Peak Hour Analysis From 12:00 to 17:45 - Peak 1 of 1																					
Peak Hour for Entire Intersection Begins at 16:45																					
16:45	4	128	2	34	168	8	4	2	10	24	2	121	10	9	142	1	6	3	19	29	363
17:00	6	108	4	24	142	14	1	10	11	36	5	103	10	9	127	3	1	9	21	34	339
17:15	10	135	2	23	170	9	1	6	13	29	1	100	9	6	116	2	1	2	27	32	347
17:30	8	115	4	12	139	9	1	8	15	33	9	103	16	20	148	4	4	7	29	44	364
Total Volume	28	486	12	93	619	40	7	26	49	122	17	427	45	44	533	10	12	21	96	139	1413
% App. Total	4.5	78.5	1.9	15		32.8	5.7	21.3	40.2		3.2	80.1	8.4	8.3		7.2	8.6	15.1	69.1		
PHF	.700	.900	.750	.684	.910	.714	.438	.650	.817	.847	.472	.882	.703	.550	.900	.625	.500	.583	.828	.790	.970

