



# MINNESOTA DEPT OF TRANSPORTATION

## TRAFFIC DATA COLLECTION - METRO

TH 10 @ THURSTON AV/  
CUTTERS GROVE AV 2006  
REF. PT.:223+00.515  
JAMAR# T-1385/MAR

File Name : TH 10 @ THURSTON AV-CUTTERS GROVE AV 2006  
Site Code : 00000000  
Start Date : 11/17/2006  
Page No : 1

**Groups Printed- CARS & TRUCKS**

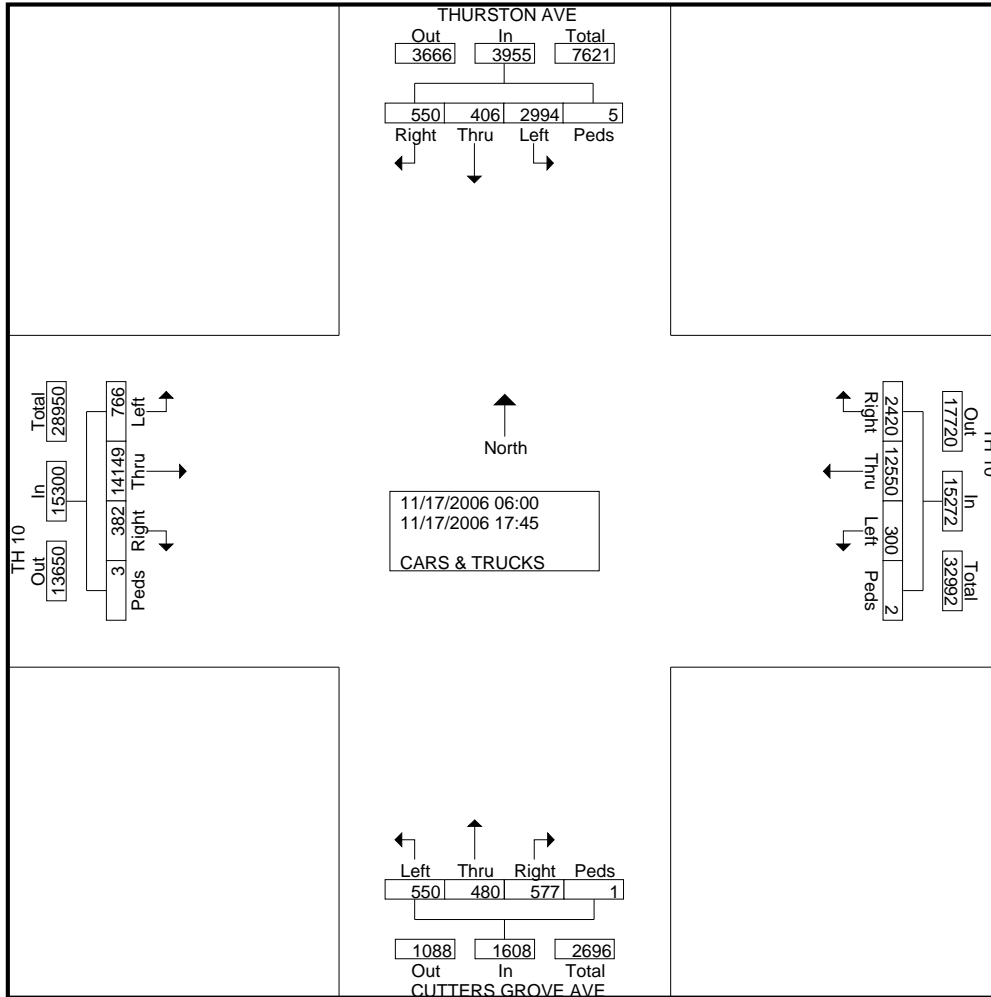
Start Time	THURSTON AVE Southbound					TH 10 Westbound					CUTTERS GROVE AVE Northbound					TH 10 Eastbound					Int. Total
	Left	Thru	Right	Peds	App. Total	Left	Thru	Right	Peds	App. Total	Left	Thru	Right	Peds	App. Total	Left	Thru	Right	Peds	App. Total	
06:00	79	2	4	0	85	0	163	34	0	197	3	7	14	0	24	18	622	2	0	642	948
06:15	99	8	5	0	112	4	223	57	0	284	6	6	16	0	28	25	571	5	0	601	1025
06:30	100	11	7	0	118	4	282	73	0	359	10	11	20	0	41	18	564	8	0	590	1108
06:45	102	3	4	0	109	3	322	131	0	456	9	14	10	0	33	25	573	11	0	609	1207
Total	380	24	20	0	424	11	990	295	0	1296	28	38	60	0	126	86	2330	26	0	2442	4288
07:00	96	11	11	0	118	3	284	91	0	378	6	16	23	0	45	32	581	13	0	626	1167
07:15	76	23	6	0	105	6	336	121	0	463	2	8	28	0	38	34	534	6	0	574	1180
07:30	97	45	16	0	158	4	364	139	0	507	10	18	34	0	62	34	518	11	0	563	1290
07:45	94	29	11	0	134	13	365	197	0	575	13	16	20	0	49	34	518	15	0	567	1325
Total	363	108	44	0	515	26	1349	548	0	1923	31	58	105	0	194	134	2151	45	0	2330	4962
08:00	80	13	11	0	104	6	321	110	0	437	8	7	15	0	30	25	534	15	0	574	1145
08:15	57	3	7	0	67	7	266	59	0	332	8	7	19	0	34	30	498	14	0	542	975
08:30	48	6	12	0	66	5	253	53	0	311	6	4	12	0	22	15	485	8	0	508	907
08:45	81	6	9	0	96	9	271	62	0	342	16	9	21	0	46	27	436	14	0	477	961
Total	266	28	39	0	333	27	1111	284	0	1422	38	27	67	0	132	97	1953	51	0	2101	3988
11:00	112	9	27	0	148	22	292	44	1	359	16	5	17	0	38	8	337	10	0	355	900
11:15	87	15	16	0	118	11	280	65	0	356	13	25	24	0	62	17	329	14	0	360	896
11:30	126	20	13	0	159	11	324	115	0	450	14	17	7	0	38	15	367	11	0	393	1040
11:45	118	17	20	0	155	18	392	87	0	497	4	19	16	0	39	19	329	10	1	359	1050
Total	443	61	76	0	580	62	1288	311	1	1662	47	66	64	0	177	59	1362	45	1	1467	3886
12:00	133	21	22	0	176	22	365	56	0	443	31	29	11	0	71	17	344	18	0	379	1069
12:15	78	15	23	0	116	7	333	55	0	395	29	12	16	0	57	14	360	16	0	390	958
12:30	88	6	22	0	116	9	331	74	0	414	14	17	13	0	44	14	326	2	0	342	916
12:45	82	5	17	0	104	14	335	69	0	418	16	12	18	0	46	17	318	8	1	344	912
Total	381	47	84	0	512	52	1364	254	0	1670	90	70	58	0	218	62	1348	44	1	1455	3855
15:00	133	20	53	0	206	13	496	56	0	565	18	11	20	0	49	5	362	12	0	379	1199
15:15	66	9	22	1	98	12	537	60	0	609	24	14	19	0	57	12	371	17	1	401	1165
15:30	97	17	34	0	148	7	546	61	0	614	19	19	14	1	53	9	471	18	0	498	1313
15:45	61	10	11	0	82	13	540	52	0	605	19	23	18	0	60	19	463	8	0	490	1237
Total	357	56	120	1	534	45	2119	229	0	2393	80	67	71	1	219	45	1667	55	1	1768	4914
16:00	131	22	21	0	174	12	527	68	0	607	23	21	21	0	65	98	359	16	0	473	1319
16:15	89	12	15	1	117	8	521	58	0	587	25	12	25	0	62	17	438	18	0	473	1239
16:30	118	13	36	0	167	9	520	58	0	587	22	17	21	0	60	21	452	13	0	486	1300
16:45	104	8	19	1	132	6	558	57	0	621	36	31	14	0	81	14	500	19	0	533	1367
Total	442	55	91	2	590	35	2126	241	0	2402	106	81	81	0	268	150	1749	66	0	1965	5225
17:00	140	9	31	1	181	9	548	51	0	608	34	21	17	0	72	15	468	13	0	496	1357
17:15	74	2	22	0	98	10	550	78	0	638	35	22	14	0	71	90	375	6	0	471	1278
17:30	72	8	10	1	91	9	545	71	0	625	32	22	18	0	72	16	407	13	0	436	1224
17:45	76	8	13	0	97	14	560	58	1	633	29	8	22	0	59	12	339	18	0	369	1158
Total	362	27	76	2	467	42	2203	258	1	2504	130	73	71	0	274	133	1589	50	0	1772	5017
Grand Total	2994	406	550	5	3955	300	12550	2420	2	15272	550	480	577	1	1608	766	14149	382	3	15300	36135
Apprch %	75.7	10.3	13.9	0.1		2	82.2	15.8	0		34.2	29.9	35.9	0.1		5	92.5	2.5	0		
Total %	8.3	1.1	1.5	0	10.9	0.8	34.7	6.7	0	42.3	1.5	1.3	1.6	0	4.4	2.1	39.2	1.1	0	42.3	



# MINNESOTA DEPT OF TRANSPORTATION

## TRAFFIC DATA COLLECTION - METRO

File Name : TH 10 @ THURSTON AV-CUTTERS GROVE AV 2006  
 Site Code : 00000000  
 Start Date : 11/17/2006  
 Page No : 2



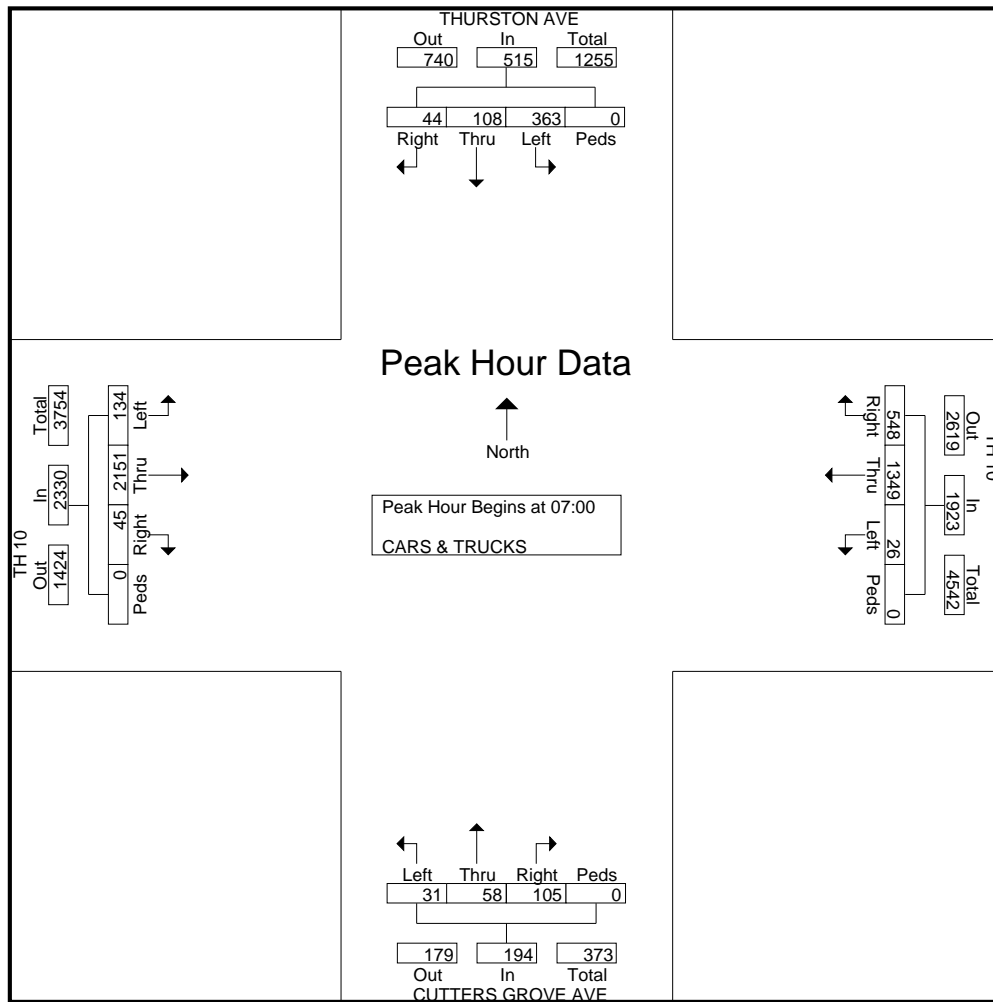


# MINNESOTA DEPT OF TRANSPORTATION

## TRAFFIC DATA COLLECTION - METRO

File Name : TH 10 @ THURSTON AV-CUTTERS GROVE AV 2006  
 Site Code : 00000000  
 Start Date : 11/17/2006  
 Page No : 3

Start Time	THURSTON AVE Southbound					TH 10 Westbound					CUTTERS GROVE AVE Northbound					TH 10 Eastbound					Int. Total
	Left	Thru	Right	Peds	App. Total	Left	Thru	Right	Peds	App. Total	Left	Thru	Right	Peds	App. Total	Left	Thru	Right	Peds	App. Total	
Peak Hour Analysis From 06:00 to 09:45 - Peak 1 of 1																					
Peak Hour for Entire Intersection Begins at 07:00																					
07:00	96	11	11	0	118	3	284	91	0	378	6	16	23	0	45	32	<b>581</b>	13	0	<b>626</b>	1167
07:15	76	23	6	0	105	6	336	121	0	463	2	8	28	0	38	<b>34</b>	534	6	0	574	1180
07:30	<b>97</b>	<b>45</b>	<b>16</b>	0	<b>158</b>	4	364	139	0	507	10	<b>18</b>	<b>34</b>	0	<b>62</b>	34	518	11	0	563	1290
07:45	94	29	11	0	134	<b>13</b>	<b>365</b>	<b>197</b>	0	<b>575</b>	<b>13</b>	16	20	0	49	34	518	<b>15</b>	0	567	<b>1325</b>
Total Volume	363	108	44	0	515	26	1349	548	0	1923	31	58	105	0	194	134	2151	45	0	2330	4962
% App. Total	70.5	21	8.5	0		1.4	70.2	28.5	0		16	29.9	54.1	0		5.8	92.3	1.9	0		
PHF	.936	.600	.688	.000	.815	.500	.924	.695	.000	.836	.596	.806	.772	.000	.782	.985	.926	.750	.000	.931	.936





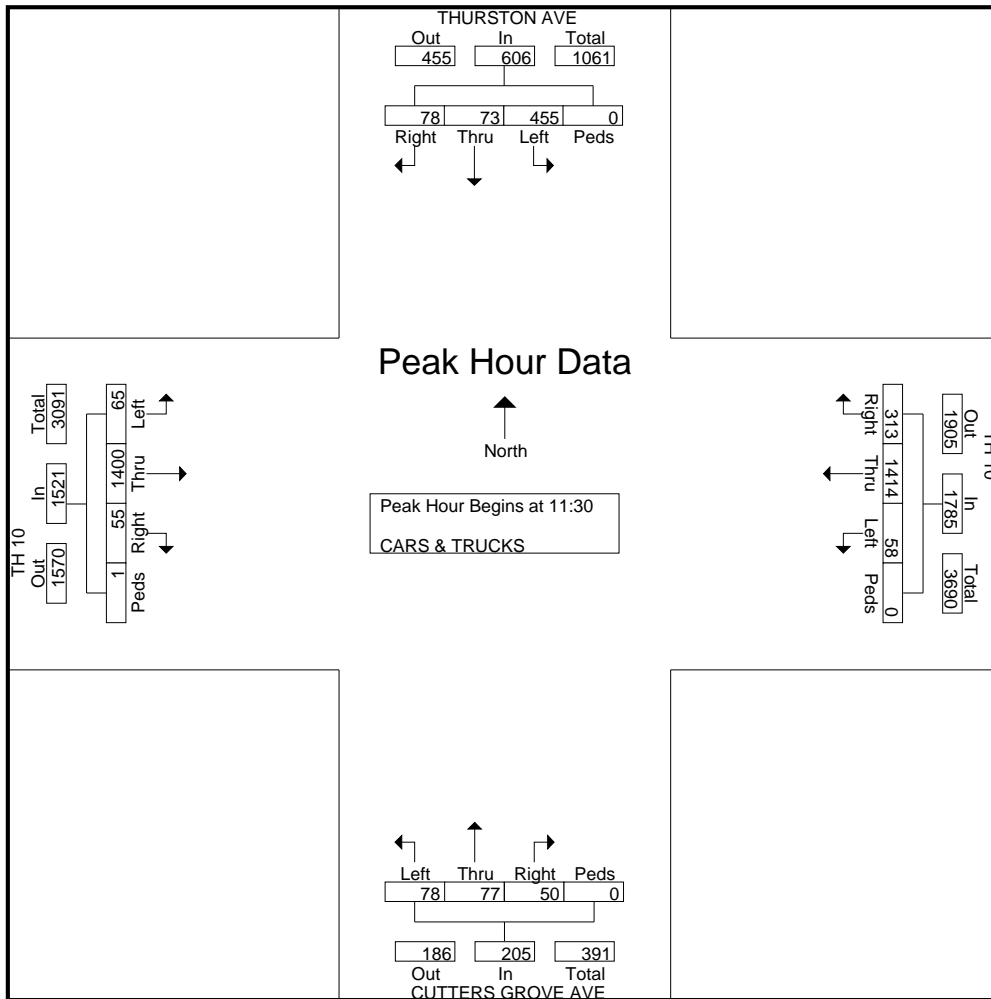
# MINNESOTA DEPT OF TRANSPORTATION

## TRAFFIC DATA COLLECTION - METRO

File Name : TH 10 @ THURSTON AV-CUTTERS GROVE AV 2006  
 Site Code : 00000000  
 Start Date : 11/17/2006  
 Page No : 4

Start Time	THURSTON AVE Southbound					TH 10 Westbound					CUTTERS GROVE AVE Northbound					TH 10 Eastbound					Int. Total
	Left	Thru	Right	Peds	App. Total	Left	Thru	Right	Peds	App. Total	Left	Thru	Right	Peds	App. Total	Left	Thru	Right	Peds	App. Total	
11:30	126	20	13	0	159	11	324	115	0	450	14	17	7	0	38	15	367	11	0	393	1040
11:45	118	17	20	0	155	18	392	87	0	497	4	19	16	0	39	19	329	10	1	359	1050
12:00	133	21	22	0	176	22	365	56	0	443	31	29	11	0	71	17	344	18	0	379	1069
12:15	78	15	23	0	116	7	333	55	0	395	29	12	16	0	57	14	360	16	0	390	958
Total Volume	455	73	78	0	606	58	1414	313	0	1785	78	77	50	0	205	65	1400	55	1	1521	4117
% App. Total	75.1	12	12.9	0		3.2	79.2	17.5	0		38	37.6	24.4	0		4.3	92	3.6	0.1		
PHF	.855	.869	.848	.000	.861	.659	.902	.680	.000	.898	.629	.664	.781	.000	.722	.855	.954	.764	.250	.968	.963

Peak Hour Analysis From 10:00 to 13:45 - Peak 1 of 1  
 Peak Hour for Entire Intersection Begins at 11:30





# MINNESOTA DEPT OF TRANSPORTATION

## TRAFFIC DATA COLLECTION - METRO

File Name : TH 10 @ THURSTON AV-CUTTERS GROVE AV 2006  
 Site Code : 00000000  
 Start Date : 11/17/2006  
 Page No : 5

Start Time	THURSTON AVE Southbound					TH 10 Westbound					CUTTERS GROVE AVE Northbound					TH 10 Eastbound					Int. Total
	Left	Thru	Right	Peds	App. Total	Left	Thru	Right	Peds	App. Total	Left	Thru	Right	Peds	App. Total	Left	Thru	Right	Peds	App. Total	
16:30	118	<b>13</b>	<b>36</b>	0	167	9	520	58	0	587	22	17	<b>21</b>	0	60	21	452	13	0	486	1300
16:45	104	8	19	<b>1</b>	132	6	<b>558</b>	57	0	621	<b>36</b>	<b>31</b>	14	0	<b>81</b>	14	<b>500</b>	<b>19</b>	0	<b>533</b>	<b>1367</b>
17:00	<b>140</b>	9	31	1	<b>181</b>	9	548	51	0	608	34	21	17	0	72	15	468	13	0	496	1357
17:15	74	2	22	0	98	<b>10</b>	550	<b>78</b>	0	<b>638</b>	35	22	14	0	71	<b>90</b>	375	6	0	471	1278
Total Volume	436	32	108	2	578	34	2176	244	0	2454	127	91	66	0	284	140	1795	51	0	1986	5302
% App. Total	75.4	5.5	18.7	0.3		1.4	88.7	9.9	0		44.7	32	23.2	0		7	90.4	2.6	0		
PHF	.779	.615	.750	.500	.798	.850	.975	.782	.000	.962	.882	.734	.786	.000	.877	.389	.898	.671	.000	.932	.970

Peak Hour Analysis From 14:00 to 17:45 - Peak 1 of 1  
 Peak Hour for Entire Intersection Begins at 16:30

