

# Alliant Engineering

Minneapolis, MN 55415

--TRAFFIC DATA --

TH-10 at University Ave, South Ramps

Ref.Pt.: 232.662

Alliant Eng.

TURN MOVEMENT COUNT

File Name : 311\_TH 10 & University Ave S Ramp

Site Code : 311

Start Date : 3/1/2016

Page No : 1

Groups Printed- Vehicles - Trucks

Start Time	University Ave Southbound				TH-10, South Ramps Westbound				University Ave Northbound				TH-10, South Ramps Eastbound				Int. Total
	Left	Thru	Rght	Other	Left	Thru	Rght	Other	Left	Thru	Rght	Other	Left	Thru	Rght	Other	
06:00	45	87	1	0	2	0	4	0	3	22	7	0	0	0	0	0	171
06:15	41	121	0	0	2	1	3	0	3	21	8	0	0	0	0	0	200
06:30	74	161	0	0	2	0	28	0	2	18	8	0	0	0	1	0	294
06:45	72	200	0	0	6	0	18	0	2	36	7	0	1	0	0	0	342
Total	232	569	1	0	12	1	53	0	10	97	30	0	1	0	1	0	1007
07:00	65	175	0	0	10	1	28	0	3	43	6	0	0	0	0	0	331
07:15	67	207	0	0	6	5	45	0	1	40	3	0	1	0	1	0	376
07:30	66	233	1	0	9	3	12	0	5	41	12	0	1	2	2	0	387
07:45	65	190	1	0	5	5	38	0	6	36	4	0	0	0	2	0	352
Total	263	805	2	0	30	14	123	0	15	160	25	0	2	2	5	0	1446
08:00	49	177	0	0	10	2	23	0	1	44	14	0	0	0	0	0	320
08:15	60	141	0	0	6	0	29	0	6	41	9	0	0	0	0	0	292
08:30	46	114	0	0	4	1	25	0	4	57	13	0	0	0	0	0	264
08:45	33	128	1	0	6	1	31	0	3	36	7	0	1	0	1	0	248
Total	188	560	1	0	26	4	108	0	14	178	43	0	1	0	1	0	1124
09:00	45	108	0	0	7	2	30	0	5	50	8	0	2	0	1	0	258
09:15	36	106	1	0	2	0	28	0	7	56	11	0	0	0	1	0	248
*** BREAK ***																	
Total	81	214	1	0	9	2	58	0	12	106	19	0	2	0	2	0	506
*** BREAK ***																	
10:30	15	85	1	0	5	0	19	0	3	60	7	0	1	0	2	0	198
10:45	25	116	1	0	5	1	19	0	5	66	12	0	0	0	1	0	251
Total	40	201	2	0	10	1	38	0	8	126	19	0	1	0	3	0	449
11:00	17	91	0	0	2	1	23	0	5	82	10	0	0	0	2	0	233
11:15	25	73	0	0	5	1	34	0	2	68	11	0	0	0	0	0	219
11:30	19	107	1	0	6	0	15	0	4	64	10	0	2	0	0	0	228
11:45	24	127	0	0	3	0	22	0	4	71	8	0	1	0	0	0	260
Total	85	398	1	0	16	2	94	0	15	285	39	0	3	0	2	0	940
12:00	18	93	0	0	4	0	20	0	7	78	8	0	0	0	1	0	229
12:15	17	97	0	0	5	5	20	0	3	86	19	0	1	0	0	0	253
12:30	35	105	0	0	5	3	24	0	6	90	12	0	0	0	1	0	281
12:45	25	104	1	0	9	4	26	0	5	96	7	0	2	0	0	0	279
Total	95	399	1	0	23	12	90	0	21	350	46	0	3	0	2	0	1042
13:00	40	103	1	0	2	1	25	0	4	85	17	0	0	0	0	0	278
13:15	24	103	0	0	4	2	29	0	5	86	8	0	1	0	0	0	262
*** BREAK ***																	
Total	64	206	1	0	6	3	54	0	9	171	25	0	1	0	0	0	540
*** BREAK ***																	
14:30	32	99	1	0	5	13	38	0	2	90	13	0	0	0	0	0	293
14:45	13	111	0	0	34	9	28	0	5	135	27	0	0	0	0	0	362
Total	45	210	1	0	39	22	66	0	7	225	40	0	0	0	0	0	655
15:00	30	102	0	0	10	3	33	0	11	115	11	0	1	0	1	0	317
15:15	26	114	0	0	10	9	37	0	3	211	20	0	1	0	0	0	431
15:30	29	104	1	0	6	18	28	0	3	174	38	0	0	0	0	0	401
15:45	29	121	4	0	14	11	104	0	3	248	35	0	1	0	0	0	570
Total	114	441	5	0	40	41	202	0	20	748	104	0	3	0	1	0	1719
16:00	27	135	1	0	36	5	152	0	5	224	12	0	0	0	0	0	597
16:15	25	129	2	0	26	0	167	0	10	222	27	0	0	0	0	0	608
16:30	60	145	0	0	14	0	170	0	5	193	20	0	0	0	0	0	607

# Alliant Engineering

Minneapolis, MN 55415

--TRAFFIC DATA --

TH-10 at University Ave, South Ramps

Ref.Pt.: 232.662

Alliant Eng.

TURN MOVEMENT COUNT

File Name : 311\_TH 10 & University Ave S Ramp

Site Code : 311

Start Date : 3/1/2016

Page No : 2

Groups Printed- Vehicles - Trucks

Start Time	University Ave Southbound				TH-10, South Ramps Westbound				University Ave Northbound				TH-10, South Ramps Eastbound				Int. Total
	Left	Thru	Rght	Other	Left	Thru	Rght	Other	Left	Thru	Rght	Other	Left	Thru	Rght	Other	
16:45	22	153	0	0	25	0	167	0	7	215	39	0	0	3	2	0	633
Total	134	562	3	0	101	5	656	0	27	854	98	0	0	3	2	0	2445
17:00	17	141	0	0	27	2	137	0	6	215	27	0	1	0	0	0	573
17:15	22	139	0	0	23	0	168	0	2	226	38	0	0	0	0	0	618
17:30	24	113	0	0	18	0	180	0	0	213	23	0	0	0	0	0	571
17:45	26	167	0	0	22	0	125	0	1	204	24	0	0	0	0	0	569
Total	89	560	0	0	90	2	610	0	9	858	112	0	1	0	0	0	2331
Grand Total	1430	5125	19	0	402	109	2152	0	167	4158	600	0	18	5	19	0	14204
Apprch %	21.8	78	0.3	0	15.1	4.1	80.8	0	3.4	84.4	12.2	0	42.9	11.9	45.2	0	
Total %	10.1	36.1	0.1	0	2.8	0.8	15.2	0	1.2	29.3	4.2	0	0.1	0	0.1	0	
Vehicles	1414	4999	14	0	391	105	2123	0	164	4084	571	0	17	5	15	0	13902
% Vehicles	98.9	97.5	73.7	0	97.3	96.3	98.7	0	98.2	98.2	95.2	0	94.4	100	78.9	0	97.9
Trucks	16	126	5	0	11	4	29	0	3	74	29	0	1	0	4	0	302
% Trucks	1.1	2.5	26.3	0	2.7	3.7	1.3	0	1.8	1.8	4.8	0	5.6	0	21.1	0	2.1

# Alliant Engineering

Minneapolis, MN 55415

--TRAFFIC DATA --

TH-10 at University Ave, South Ramps

Ref.Pt.: 232.662

Alliant Eng.

TURN MOVEMENT COUNT

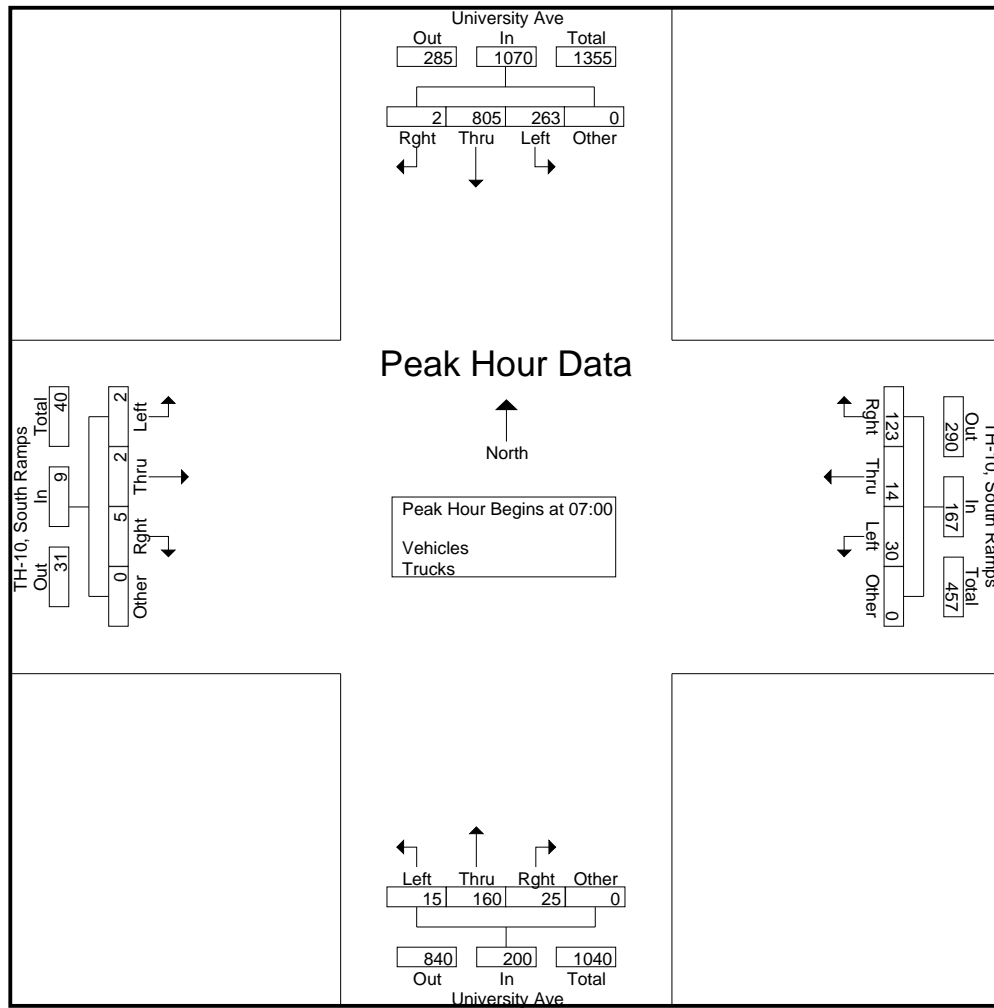
File Name : 311\_TH 10 & University Ave S Ramp

Site Code : 311

Start Date : 3/1/2016

Page No : 3

Start Time	University Ave Southbound					TH-10, South Ramps Westbound					University Ave Northbound					TH-10, South Ramps Eastbound					Int. Total
	Left	Thru	Right	Other	App. Total	Left	Thru	Right	Other	App. Total	Left	Thru	Right	Other	App. Total	Left	Thru	Right	Other	App. Total	
Peak Hour Analysis From 06:00 to 11:45 - Peak 1 of 1																					
Peak Hour for Entire Intersection Begins at 07:00																					
07:00	65	175	0	0	240	10	1	28	0	39	3	43	6	0	52	0	0	0	0	0	331
07:15	67	207	0	0	274	6	5	45	0	56	1	40	3	0	44	1	0	1	0	2	376
07:30	66	233	1	0	300	9	3	12	0	24	5	41	12	0	58	1	2	2	0	5	387
07:45	65	190	1	0	256	5	5	38	0	48	6	36	4	0	46	0	0	2	0	2	352
Total Volume	263	805	2	0	1070	30	14	123	0	167	15	160	25	0	200	2	2	5	0	9	1446
% App. Total	24.6	75.2	0.2	0		18	8.4	73.7	0		7.5	80	12.5	0		22.2	22.2	55.6	0		
PHF	.981	.864	.500	.000	.892	.750	.700	.683	.000	.746	.625	.930	.521	.000	.862	.500	.250	.625	.000	.450	.934



# Alliant Engineering

Minneapolis, MN 55415

--TRAFFIC DATA --

TH-10 at University Ave, South Ramps

Ref.Pt.: 232.662

Alliant Eng.

TURN MOVEMENT COUNT

File Name : 311\_TH 10 & University Ave S Ramp

Site Code : 311

Start Date : 3/1/2016

Page No : 4

Start Time	University Ave Southbound					TH-10, South Ramps Westbound					University Ave Northbound					TH-10, South Ramps Eastbound					Int. Total
	Left	Thru	Rght	Other	App. Total	Left	Thru	Rght	Other	App. Total	Left	Thru	Rght	Other	App. Total	Left	Thru	Rght	Other	App. Total	
Peak Hour Analysis From 12:00 to 17:45 - Peak 1 of 1																					
Peak Hour for Entire Intersection Begins at 16:00																					
16:00	27	135	1	0	163	36	5	152	0	193	5	224	12	0	241	0	0	0	0	0	597
16:15	25	129	2	0	156	26	0	167	0	193	10	222	27	0	259	0	0	0	0	0	608
16:30	60	145	0	0	205	14	0	170	0	184	5	193	20	0	218	0	0	0	0	0	607
16:45	22	153	0	0	175	25	0	167	0	192	7	215	39	0	261	0	3	2	0	5	633
Total Volume	134	562	3	0	699	101	5	656	0	762	27	854	98	0	979	0	3	2	0	5	2445
% App. Total	19.2	80.4	0.4	0		13.3	0.7	86.1	0		2.8	87.2	10	0		0	60	40	0		
PHF	.558	.918	.375	.000	.852	.701	.250	.965	.000	.987	.675	.953	.628	.000	.938	.000	.250	.250	.000	.250	.966

