

TRAFFIC DATA

US 169 & Old Shakopee Rd ER
 City: Eden Prairie
 Data by: Flow Labs
 Turning Movement Count

File Name: US 169 & Old Shakopee Rd ER 2024
 Dates: 9/3/2024 - 9/19/24, No Holidays, Average
 Day of Week: Tuesday, Wednesday, Thursday
 Page No.: 1

Start Time	US 169 NB On-Ramp Southbound				Old Shakopee Rd Westbound				US 169 NB Off-Ramp Northbound				Old Shakopee Rd Eastbound				Int. Total
	Left	Thru	Right	Peds	Left	Thru	Right	Peds	Left	Thru	Right	Peds	Left	Thru	Right	Peds	
0:00	0	0	0	0	0	7	2	0	2	0	12	0	1	8	0	0	32
0:15	0	0	0	0	0	8	4	0	1	0	9	0	2	2	0	0	26
0:30	0	0	0	0	0	6	6	0	2	0	8	0	1	6	0	0	29
0:45	0	0	0	0	0	9	3	0	2	0	8	0	0	4	0	0	26
Total	0	0	0	0	0	30	15	0	7	0	37	0	4	20	0	0	113
1:00	0	0	0	0	0	6	3	0	1	0	9	0	0	5	0	0	24
1:15	0	0	0	0	0	11	3	0	1	1	4	0	0	2	0	0	22
1:30	0	0	0	0	0	3	2	0	1	0	8	0	0	2	0	0	16
1:45	0	0	0	0	0	5	1	0	0	0	3	0	0	1	0	0	10
Total	0	0	0	0	0	25	9	0	3	1	24	0	0	10	0	0	72
2:00	0	0	0	0	0	1	3	0	3	1	7	0	1	0	0	0	16
2:15	0	0	0	0	0	6	1	0	2	0	5	0	0	1	0	0	15
2:30	0	0	0	0	0	3	2	0	3	0	5	0	1	1	0	0	15
2:45	0	0	0	0	0	3	1	0	0	0	8	0	0	2	0	0	14
Total	0	0	0	0	0	13	7	0	8	1	25	0	2	4	0	0	60
3:00	0	0	0	0	0	9	2	0	0	0	3	0	1	1	0	0	16
3:15	0	0	0	0	0	4	6	0	0	0	8	0	0	4	0	0	22
3:30	0	0	0	0	0	4	1	0	2	0	3	0	1	6	0	0	17
3:45	0	0	0	0	0	6	3	0	1	0	8	0	0	2	0	0	20
Total	0	0	0	0	0	23	12	0	3	0	22	0	2	13	0	0	75
4:00	0	0	0	0	0	3	2	0	1	1	11	0	1	3	0	0	22
4:15	0	0	0	0	0	3	6	0	2	0	22	0	0	2	0	0	35
4:30	0	0	0	0	0	8	17	0	1	0	17	0	3	7	0	0	53
4:45	0	0	0	0	0	11	4	0	0	0	16	0	2	4	0	0	37
Total	0	0	0	0	0	25	29	0	4	1	66	0	6	16	0	0	147

TRAFFIC DATA

US 169 & Old Shakopee Rd ER
 City: Eden Prairie
 Data by: Flow Labs
 Turning Movement Count

File Name: US 169 & Old Shakopee Rd ER 2024
 Dates: 9/3/2024 - 9/19/24, No Holidays, Average
 Day of Week: Tuesday, Wednesday, Thursday
 Page No.: 2

Start Time	US 169 NB On-Ramp Southbound				Old Shakopee Rd Westbound				US 169 NB Off-Ramp Northbound				Old Shakopee Rd Eastbound				Int. Total
	Left	Thru	Right	Peds	Left	Thru	Right	Peds	Left	Thru	Right	Peds	Left	Thru	Right	Peds	
5:00	0	0	0	0	0	7	13	0	1	0	17	0	4	4	0	0	46
5:15	0	0	0	0	0	19	23	0	1	0	28	0	4	10	0	0	85
5:30	0	0	0	0	0	22	28	0	1	0	55	0	5	18	0	0	129
5:45	0	0	0	0	0	32	25	0	6	0	64	0	8	27	0	0	162
Total	0	0	0	0	0	80	89	0	9	0	164	0	21	59	0	0	422
6:00	0	0	0	0	0	43	35	0	6	1	53	0	1	23	0	0	162
6:15	0	0	0	0	0	33	33	0	4	0	70	0	11	33	0	0	184
6:30	0	0	0	0	0	63	72	0	4	2	96	0	19	46	0	0	302
6:45	0	0	0	0	0	62	59	0	8	5	158	0	21	88	0	0	401
Total	0	0	0	0	0	201	199	0	22	8	377	0	52	190	0	0	1049
7:00	0	0	0	0	0	84	75	0	18	6	182	0	31	62	0	0	458
7:15	0	0	0	0	0	90	74	0	19	3	281	0	29	80	0	0	576
7:30	0	0	0	0	0	85	82	0	16	6	360	0	17	112	0	0	678
7:45	0	0	0	0	0	138	105	0	23	3	362	0	16	184	0	0	831
Total	0	0	0	0	0	397	336	0	76	18	1185	0	93	438	0	0	2543
8:00	0	0	0	0	0	103	88	0	18	3	279	0	13	118	0	0	622
8:15	0	0	0	0	0	105	94	0	21	5	301	0	14	94	0	0	634
8:30	0	0	0	0	0	97	95	0	24	6	286	0	12	130	0	0	650
8:45	0	0	0	0	0	82	75	0	22	2	198	0	14	113	0	0	506
Total	0	0	0	0	0	387	352	0	85	16	1064	0	53	455	0	0	2412
9:00	0	0	0	0	0	92	71	0	22	1	168	0	12	75	0	0	441
9:15	0	0	0	0	0	92	70	0	21	3	182	0	16	82	0	0	466
9:30	0	0	0	0	0	100	63	0	21	7	199	0	17	82	0	0	489
9:45	0	0	0	0	0	91	70	0	18	8	163	0	13	76	0	0	439
Total	0	0	0	0	0	375	274	0	82	19	712	0	58	315	0	0	1835

TRAFFIC DATA

US 169 & Old Shakopee Rd ER
 City: Eden Prairie
 Data by: Flow Labs
 Turning Movement Count

File Name: US 169 & Old Shakopee Rd ER 2024
 Dates: 9/3/2024 - 9/19/24, No Holidays, Average
 Day of Week: Tuesday, Wednesday, Thursday
 Page No.: 3

Start Time	US 169 NB On-Ramp Southbound				Old Shakopee Rd Westbound				US 169 NB Off-Ramp Northbound				Old Shakopee Rd Eastbound				Int. Total
	Left	Thru	Right	Peds	Left	Thru	Right	Peds	Left	Thru	Right	Peds	Left	Thru	Right	Peds	
10:00	0	0	0	0	0	100	61	0	13	7	121	0	13	70	0	0	385
10:15	0	0	0	0	0	100	65	0	19	4	93	0	17	46	0	0	344
10:30	0	0	0	0	0	99	63	0	17	9	112	0	12	61	0	0	373
10:45	0	0	0	0	0	96	67	0	17	12	112	0	12	67	0	0	383
Total	0	0	0	0	0	395	256	0	66	32	438	0	54	244	0	0	1485
11:00	0	0	0	0	0	120	74	0	17	6	98	0	13	71	0	0	399
11:15	0	0	0	0	0	94	72	0	19	3	100	0	10	66	0	0	364
11:30	0	0	0	0	0	139	81	0	13	0	173	0	11	75	0	0	492
11:45	0	0	0	0	0	128	85	0	14	1	113	0	7	76	0	0	424
Total	0	0	0	0	0	481	312	0	63	10	484	0	41	288	0	0	1679
12:00	0	0	0	0	0	152	76	0	11	1	100	0	13	76	0	0	429
12:15	0	0	0	0	0	121	83	0	14	0	87	0	11	72	0	0	388
12:30	0	0	0	0	0	104	84	0	19	1	96	0	11	71	0	0	386
12:45	0	0	0	0	0	100	76	0	15	1	97	0	17	73	0	0	379
Total	0	0	0	0	0	477	319	0	59	3	380	0	52	292	0	0	1582
13:00	0	0	0	0	0	104	60	0	13	0	88	0	11	67	0	0	343
13:15	0	0	0	0	0	113	68	0	11	2	99	0	9	66	0	0	368
13:30	0	0	0	0	0	132	67	0	13	0	121	0	13	66	0	0	412
13:45	0	0	0	0	0	122	81	0	11	1	107	0	11	92	0	0	425
Total	0	0	0	0	0	471	276	0	48	3	415	0	44	291	0	0	1548
14:00	0	0	0	0	0	183	88	0	11	1	91	0	9	88	0	0	471
14:15	0	0	0	0	0	136	64	0	18	0	122	0	13	83	0	0	436
14:30	0	0	0	0	0	184	81	0	15	2	141	0	11	79	0	0	513
14:45	0	0	0	0	0	142	85	0	13	0	126	0	7	92	0	0	465
Total	0	0	0	0	0	645	318	0	57	3	480	0	40	342	0	0	1885

TRAFFIC DATA

US 169 & Old Shakopee Rd ER
 City: Eden Prairie
 Data by: Flow Labs
 Turning Movement Count

File Name: US 169 & Old Shakopee Rd ER 2024
 Dates: 9/3/2024 - 9/19/24, No Holidays, Average
 Day of Week: Tuesday, Wednesday, Thursday
 Page No.: 4

Start Time	US 169 NB On-Ramp Southbound				Old Shakopee Rd Westbound				US 169 NB Off-Ramp Northbound				Old Shakopee Rd Eastbound				Int. Total
	Left	Thru	Right	Peds	Left	Thru	Right	Peds	Left	Thru	Right	Peds	Left	Thru	Right	Peds	
15:00	0	0	0	0	0	184	90	0	20	1	145	0	9	97	0	0	546
15:15	0	0	0	0	0	176	84	0	17	1	142	0	13	80	0	0	513
15:30	0	0	0	0	0	211	89	0	22	0	168	0	12	94	0	0	596
15:45	0	0	0	0	0	208	81	0	19	1	211	0	7	81	0	0	608
Total	0	0	0	0	0	779	344	0	78	3	666	0	41	352	0	0	2263
16:00	0	0	0	0	0	261	116	0	19	0	231	0	5	103	0	1	736
16:15	0	0	0	0	0	293	98	0	14	2	238	0	6	108	0	0	759
16:30	0	0	0	0	0	327	91	0	27	1	204	0	12	96	0	0	758
16:45	0	0	0	0	0	318	80	0	27	0	217	0	10	115	0	0	767
Total	0	0	0	0	0	1199	385	0	87	3	890	0	33	422	0	1	3020
17:00	0	0	0	0	0	312	105	0	22	0	210	0	13	110	0	0	772
17:15	0	0	0	0	0	269	80	2	18	1	215	0	10	105	0	0	700
17:30	0	0	0	0	0	220	86	0	24	1	194	0	13	93	0	0	631
17:45	0	0	0	0	0	179	91	0	17	2	173	0	13	98	0	0	573
Total	0	0	0	0	0	980	362	2	81	4	792	0	49	406	0	0	2676
18:00	0	0	0	0	0	163	101	0	20	2	150	0	11	83	0	0	530
18:15	0	0	0	0	0	144	88	0	19	2	113	0	11	102	0	0	479
18:30	0	0	0	0	0	99	68	0	12	1	108	0	13	86	0	0	387
18:45	0	0	0	0	0	105	64	0	8	1	89	0	13	67	0	0	347
Total	0	0	0	0	0	511	321	0	59	6	460	0	48	338	0	0	1743
19:00	0	0	0	0	0	99	59	0	16	1	71	0	10	65	0	0	321
19:15	0	0	0	0	0	91	53	0	9	0	70	0	10	44	0	0	277
19:30	0	0	0	0	0	85	46	0	8	0	66	0	10	56	0	0	271
19:45	0	0	0	0	0	77	43	0	7	0	55	0	7	54	0	0	243
Total	0	0	0	0	0	352	201	0	40	1	262	0	37	219	0	0	1112

TRAFFIC DATA

US 169 & Old Shakopee Rd ER
 City: Eden Prairie
 Data by: Flow Labs
 Turning Movement Count

File Name: US 169 & Old Shakopee Rd ER 2024
 Dates: 9/3/2024 - 9/19/24, No Holidays, Average
 Day of Week: Tuesday, Wednesday, Thursday
 Page No.: 5

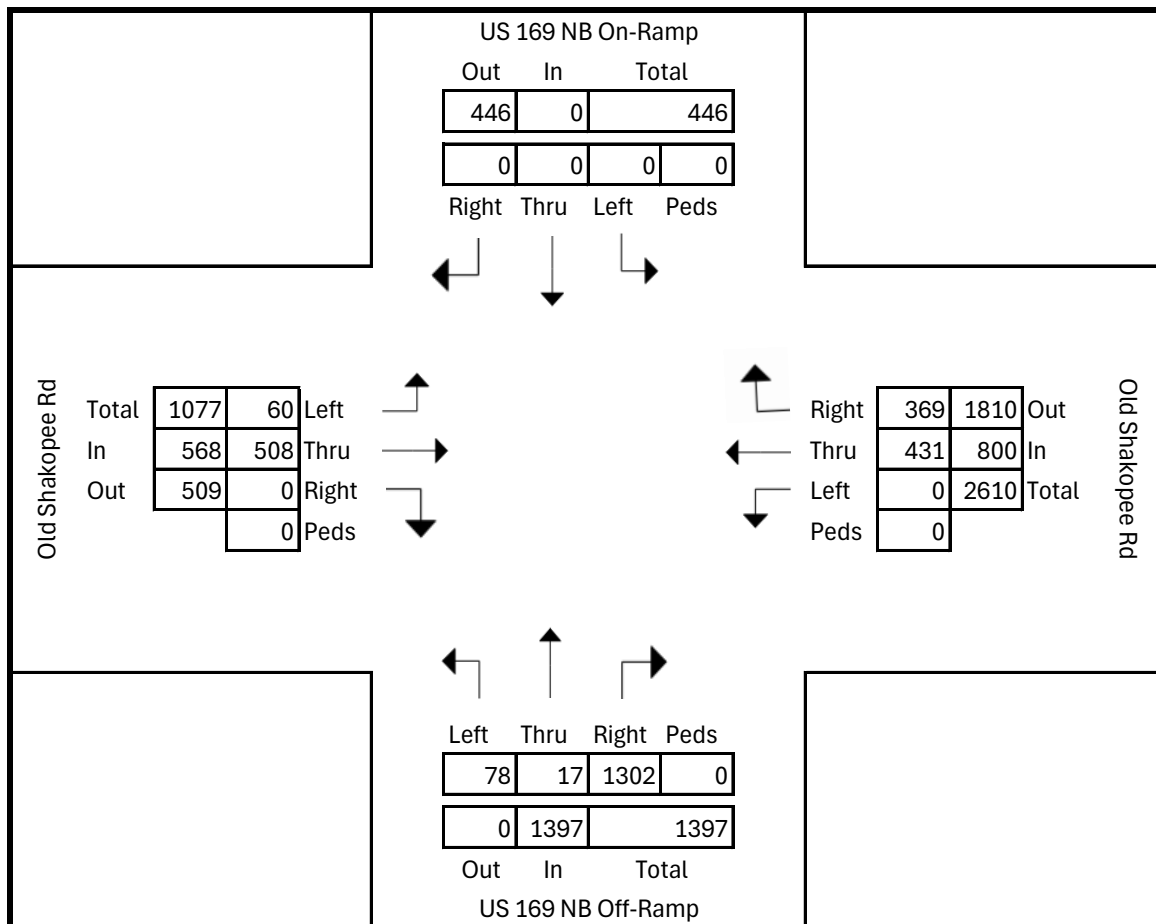
Start Time	US 169 NB On-Ramp Southbound				Old Shakopee Rd Westbound				US 169 NB Off-Ramp Northbound				Old Shakopee Rd Eastbound				Int. Total
	Left	Thru	Right	Peds	Left	Thru	Right	Peds	Left	Thru	Right	Peds	Left	Thru	Right	Peds	
20:00	0	0	0	0	0	110	41	0	13	1	62	0	8	48	0	0	283
20:15	0	0	0	0	0	77	52	0	8	0	57	0	8	58	0	0	260
20:30	0	0	0	0	0	66	51	0	8	1	59	0	7	41	0	0	233
20:45	0	0	0	0	0	55	33	0	12	0	39	0	3	41	0	0	183
Total	0	0	0	0	0	308	177	0	41	2	217	0	26	188	0	0	959
21:00	0	0	0	0	0	56	37	0	7	1	44	0	4	35	0	0	184
21:15	0	0	0	0	0	52	22	0	8	1	41	0	2	43	0	0	169
21:30	0	0	0	0	0	50	24	0	7	0	29	0	5	37	0	0	152
21:45	0	0	0	0	0	40	19	0	3	1	30	0	3	27	0	0	123
Total	0	0	0	0	0	198	102	0	25	3	144	0	14	142	0	0	628
22:00	0	0	0	0	0	29	16	0	4	0	27	0	1	23	0	0	100
22:15	0	0	0	0	0	28	19	0	3	0	27	0	3	28	0	0	108
22:30	0	0	0	0	0	25	14	0	4	0	20	0	1	21	0	0	85
22:45	0	0	0	0	0	18	8	0	5	0	20	0	1	18	0	0	70
Total	0	0	0	0	0	100	57	0	16	0	94	0	6	90	0	0	363
23:00	0	0	0	0	0	19	7	0	3	0	18	0	1	15	0	0	63
23:15	0	0	0	0	0	12	4	0	2	0	19	0	1	12	0	0	50
23:30	0	0	0	0	0	16	8	0	4	0	12	0	1	11	0	0	52
23:45	0	0	0	0	0	17	3	0	2	1	16	0	1	8	0	0	48
Total	0	0	0	0	0	64	22	0	11	1	65	0	4	46	0	0	213
Grand Total	0	0	0	0	0	8516	4774	2	1030	138	9463	0	780	5180	0	1	29884
Apprch %	-	-	-	-	0	64.1	35.9	0.02	9.69	1.3	89	0	13.1	86.9	0	0.02	
Total %	0	0	0	0	0	0.28	0.16	0	0.03	0	0.32	0	0.03	0.17	0	0	

TRAFFIC DATA

US 169 & Old Shakopee Rd ER
City: Eden Prairie
Data by: Flow Labs
Turning Movement Count

File Name: US 169 & Old Shakopee Rd ER 2024
Dates: 9/3/2024 - 9/19/24, No Holidays, Average
Day of Week: Tuesday, Wednesday, Thursday
Page No.: 6

AM PEAK	US 169 NB On-Ramp Southbound				Old Shakopee Rd Westbound				US 169 NB Off-Ramp Northbound				Old Shakopee Rd Eastbound				Int. Total
	Left	Thru	Right	Peds	Left	Thru	Right	Peds	Left	Thru	Right	Peds	Left	Thru	Right	Peds	
7:30	0	0	0	0	0	85	82	0	16	6	360	0	17	112	0	0	678
7:45	0	0	0	0	0	138	105	0	23	3	362	0	16	184	0	0	831
8:00	0	0	0	0	0	103	88	0	18	3	279	0	13	118	0	0	622
8:15	0	0	0	0	0	105	94	0	21	5	301	0	14	94	0	0	634
Total Volume	0	0	0	0	0	431	369	0	78	17	1302	0	60	508	0	0	2765
% App. Total	-	-	-	-	0	53.9	46.1	0	5.58	1.22	93.2	0	10.6	89.4	0	0	
PHF	-	-	-	-	-	0.78	0.88	0	0.85	0.71	0.9	0	0.88	0.69	-	0	0.83
App. PHF	-				0.82				0.90				0.71				

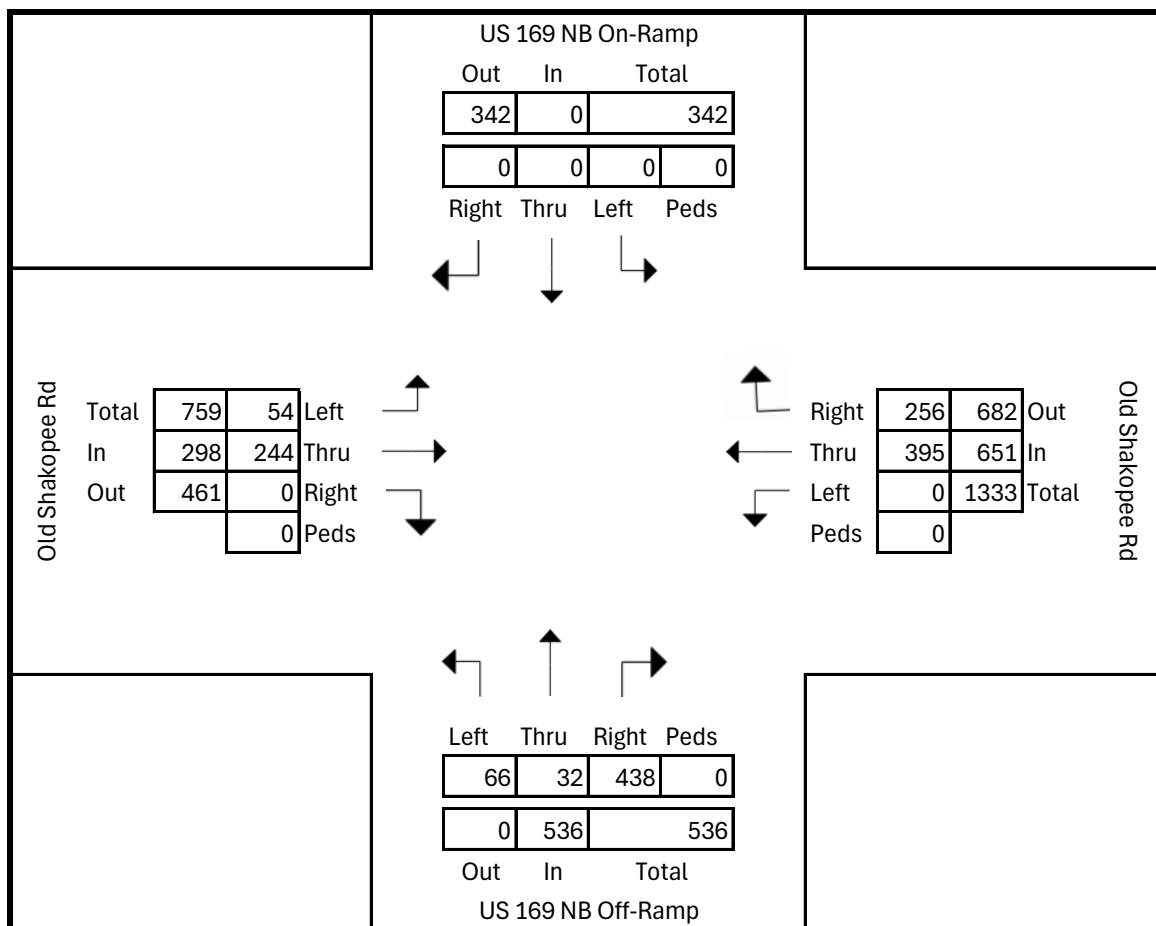


TRAFFIC DATA

US 169 & Old Shakopee Rd ER
City: Eden Prairie
Data by: Flow Labs
Turning Movement Count

File Name: US 169 & Old Shakopee Rd ER 2024
Dates: 9/3/2024 - 9/19/24, No Holidays, Average
Day of Week: Tuesday, Wednesday, Thursday
Page No.: 7

MID PEAK	US 169 NB On-Ramp Southbound				Old Shakopee Rd Westbound				US 169 NB Off-Ramp Northbound				Old Shakopee Rd Eastbound				Int. Total
	Left	Thru	Right	Peds	Left	Thru	Right	Peds	Left	Thru	Right	Peds	Left	Thru	Right	Peds	
10:00	0	0	0	0	0	100	61	0	13	7	121	0	13	70	0	0	385
10:15	0	0	0	0	0	100	65	0	19	4	93	0	17	46	0	0	344
10:30	0	0	0	0	0	99	63	0	17	9	112	0	12	61	0	0	373
10:45	0	0	0	0	0	96	67	0	17	12	112	0	12	67	0	0	383
Total Volume	0	0	0	0	0	395	256	0	66	32	438	0	54	244	0	0	1485
% App. Total	-	-	-	-	0	60.7	39.3	0	12.3	5.97	81.7	0	18.1	81.9	0	0	
PHF	-	-	-	-	-	0.99	0.96	0	0.87	0.67	0.9	0	0.79	0.87	-	0	0.96
App. PHF	-				0.99				0.95				0.90				

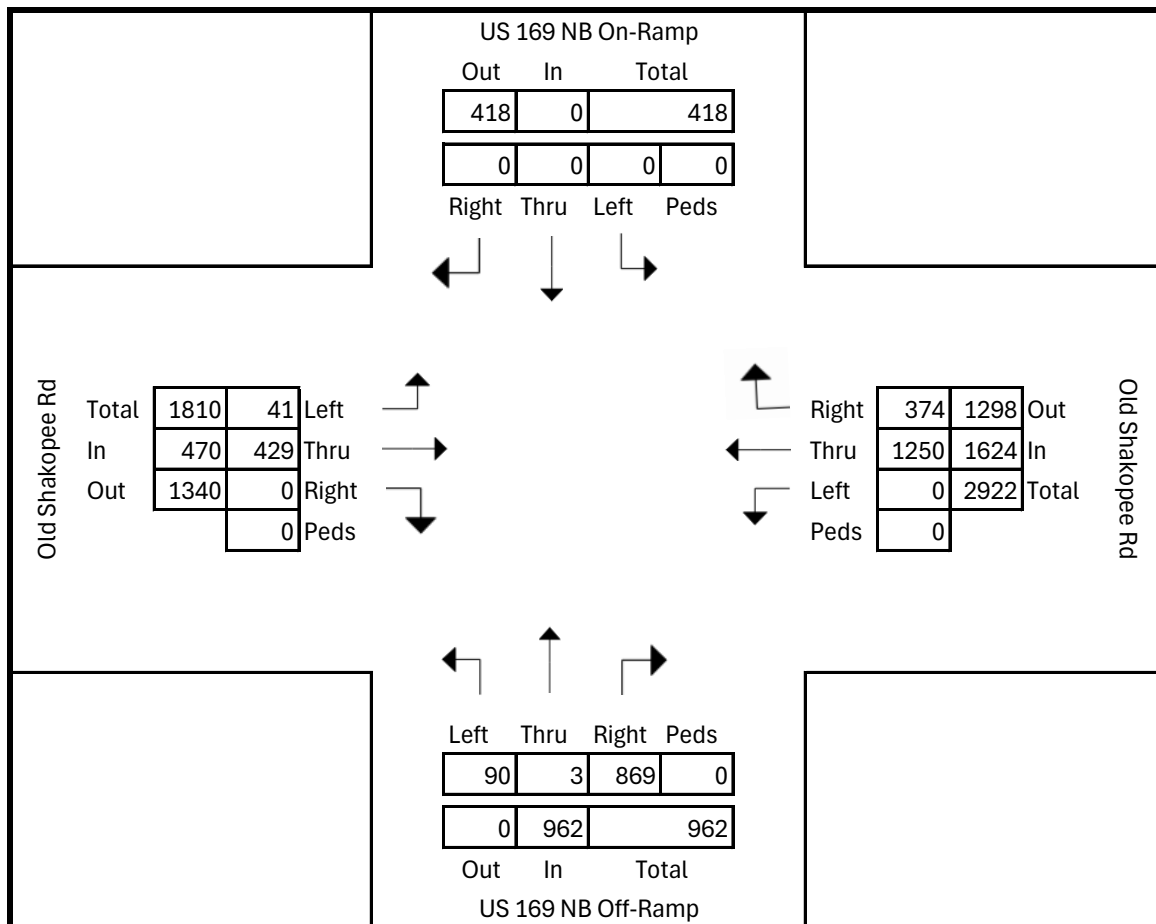


TRAFFIC DATA

US 169 & Old Shakopee Rd ER
City: Eden Prairie
Data by: Flow Labs
Turning Movement Count

File Name: US 169 & Old Shakopee Rd ER 2024
Dates: 9/3/2024 - 9/19/24, No Holidays, Average
Day of Week: Tuesday, Wednesday, Thursday
Page No.: 8

PM PEAK	US 169 NB On-Ramp Southbound				Old Shakopee Rd Westbound				US 169 NB Off-Ramp Northbound				Old Shakopee Rd Eastbound				Int. Total
	Left	Thru	Right	Peds	Left	Thru	Right	Peds	Left	Thru	Right	Peds	Left	Thru	Right	Peds	
16:15	0	0	0	0	0	293	98	0	14	2	238	0	6	108	0	0	759
16:30	0	0	0	0	0	327	91	0	27	1	204	0	12	96	0	0	758
16:45	0	0	0	0	0	318	80	0	27	0	217	0	10	115	0	0	767
17:00	0	0	0	0	0	312	105	0	22	0	210	0	13	110	0	0	772
Total Volume	0	0	0	0	0	1250	374	0	90	3	869	0	41	429	0	0	3056
% App. Total	-	-	-	-	0	77	23	0	9.36	0.31	90.3	0	8.72	91.3	0	0	
PHF	-	-	-	-	-	0.96	0.89	0	0.83	0.38	0.91	0	0.79	0.93	-	0	0.99
App. PHF	-				0.97				0.95				0.94				

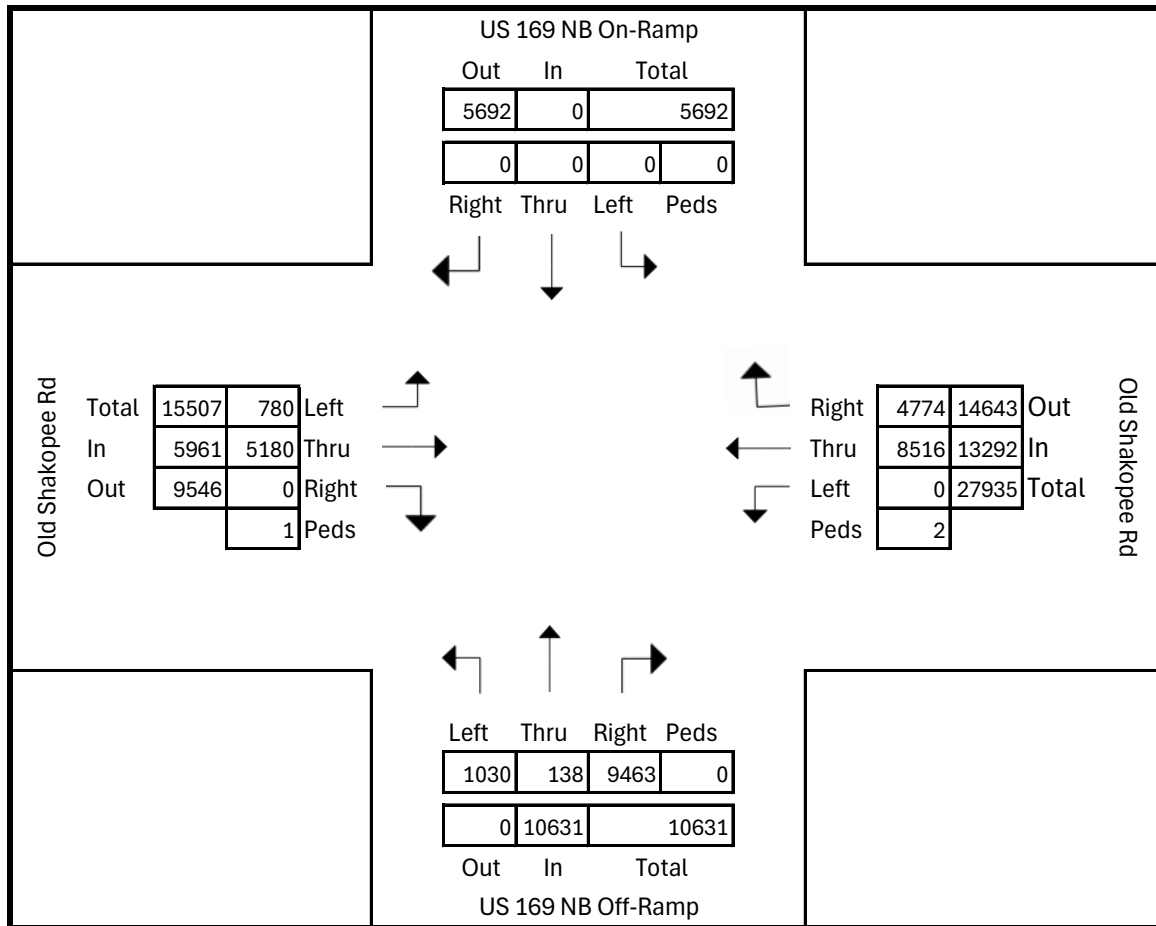


TRAFFIC DATA

US 169 & Old Shakopee Rd ER
City: Eden Prairie
Data by: Flow Labs
Turning Movement Count

File Name: US 169 & Old Shakopee Rd ER 2024
Dates: 9/3/2024 - 9/19/24, No Holidays, Average
Day of Week: Tuesday, Wednesday, Thursday
Page No.: 9

24 HOUR	US 169 NB On-Ramp Southbound				Old Shakopee Rd Westbound				US 169 NB Off-Ramp Northbound				Old Shakopee Rd Eastbound				Int. Total
	Left	Thru	Right	Peds	Left	Thru	Right	Peds	Left	Thru	Right	Peds	Left	Thru	Right	Peds	
Total Volume	0	0	0	0	0	8516	4774	2	1030	138	9463	0	780	5180	0	1	29884
% App. Total	-	-	-	-	0	64.1	35.9	0.02	9.69	1.3	89	0	13.1	86.9	0	0.02	



Mead & Hunt, Inc.
Bloomington, MN 55425

TRAFFIC DATA

US 169 & Old Shakopee Rd ER
City: Eden Prairie
Data by: Flow Labs
Turning Movement Count

File Name: US 169 & Old Shakopee Rd ER 2024
Dates: 9/3/2024 - 9/19/24, No Holidays, Average
Day of Week: Tuesday, Wednesday, Thursday
Page No.: 10

Intersection Volume By Time Of Day

