



# MINNESOTA DEPT OF TRANSPORTATION

## TRAFFIC DATA COLLECTION - METRO

TH-212 at TH-284 / Co.Rd.53  
 Ref.Pt.: 138.622  
 JAMAR # T-2638 CAH  
 TURN MOVEMENT COUNT

COLOGNE

File Name : TH-212 at TH-284 CoRd 53 2011  
 Site Code : 00000000  
 Start Date : 2/15/2011  
 Page No : 1

### Groups Printed- Cars & Trucks

Start Time	TH-284 / Paul Ave. South Southbound				TH-212 Westbound				Co.Rd. 53 Northbound				TH-212 Eastbound				Int. Total
	Left	Thru	Right	Peds	Left	Thru	Right	Peds	Left	Thru	Right	Peds	Left	Thru	Right	Peds	
06:00	16	4	1	0	1	28	3	0	5	11	12	0	10	126	0	0	217
06:15	17	7	1	0	4	39	1	0	0	11	11	0	10	156	0	0	257
06:30	22	8	1	0	1	39	8	0	2	9	22	0	3	152	1	0	268
06:45	17	4	6	0	2	36	7	0	3	12	17	0	2	164	4	0	274
Total	72	23	9	0	8	142	19	0	10	43	62	0	25	598	5	0	1016
07:00	15	13	1	0	7	51	6	0	3	12	10	0	5	179	1	0	303
07:15	23	9	6	0	0	63	9	0	3	16	13	0	6	180	5	0	333
07:30	14	8	9	0	0	60	7	0	1	17	15	0	4	174	3	0	312
07:45	8	7	5	0	1	49	7	0	4	21	12	0	7	122	2	0	245
Total	60	37	21	0	8	223	29	0	11	66	50	0	22	655	11	0	1193
08:00	7	11	1	0	4	52	7	0	1	21	7	0	2	104	6	0	223
08:15	11	19	11	0	10	51	8	0	3	28	17	0	0	110	2	0	270
08:30	11	14	1	0	1	35	3	0	2	9	9	0	6	82	0	0	173
08:45	7	8	4	0	0	49	9	0	0	16	3	0	4	100	1	0	201
Total	36	52	17	0	15	187	27	0	6	74	36	0	12	396	9	0	867
*** BREAK ***																	
15:00	5	17	4	0	6	92	13	0	2	15	2	0	4	41	5	0	206
15:15	3	28	7	0	8	96	22	0	2	10	3	0	2	68	6	0	255
15:30	9	21	4	0	8	121	9	0	4	25	10	0	5	63	2	0	281
15:45	5	22	3	0	13	120	23	0	2	17	5	1	3	59	1	0	274
Total	22	88	18	0	35	429	67	0	10	67	20	1	14	231	14	0	1016
16:00	11	19	8	0	10	133	20	0	3	16	4	0	4	61	1	0	290
16:15	11	15	5	0	12	176	14	0	2	16	1	0	5	67	2	0	326
16:30	10	27	11	0	10	145	27	0	4	13	4	0	2	74	8	0	335
16:45	9	17	12	0	11	185	16	0	10	12	2	0	8	62	3	0	347
Total	41	78	36	0	43	639	77	0	19	57	11	0	19	264	14	0	1298
17:00	8	18	4	0	19	151	11	0	3	12	7	0	4	78	2	0	317
17:15	6	20	4	0	20	183	23	0	2	22	1	0	1	48	4	0	334
17:30	8	20	4	0	11	138	15	0	3	15	2	0	3	54	0	0	273
17:45	8	25	8	0	11	102	9	0	3	17	2	0	6	44	1	0	236
Total	30	83	20	0	61	574	58	0	11	66	12	0	14	224	7	0	1160
Grand Total	261	361	121	0	170	2194	277	0	67	373	191	1	106	2368	60	0	6550
Apprch %	35.1	48.6	16.3	0	6.4	83.1	10.5	0	10.6	59	30.2	0.2	4.2	93.4	2.4	0	
Total %	4	5.5	1.8	0	2.6	33.5	4.2	0	1	5.7	2.9	0	1.6	36.2	0.9	0	



# MINNESOTA DEPT OF TRANSPORTATION

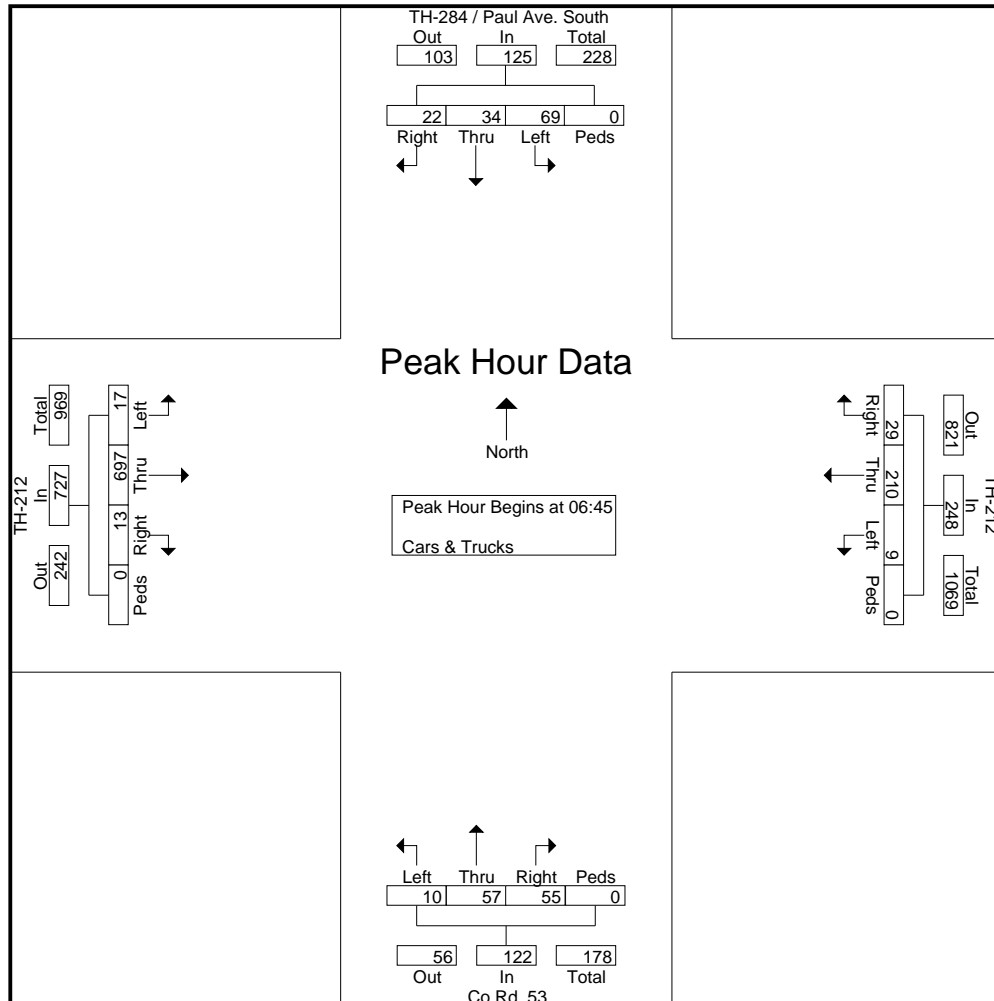
## TRAFFIC DATA COLLECTION - METRO

TH-212 at TH-284 / Co.Rd.53  
 Ref.Pt.: 138.622  
 JAMAR # T-2638 CAH  
 TURN MOVEMENT COUNT

COLOGNE

File Name : TH-212 at TH-284 CoRd 53 2011  
 Site Code : 00000000  
 Start Date : 2/15/2011  
 Page No : 2

Start Time	TH-284 / Paul Ave. South Southbound					TH-212 Westbound					Co.Rd. 53 Northbound					TH-212 Eastbound					Int. Total
	Left	Thru	Right	Peds	App. Total	Left	Thru	Right	Peds	App. Total	Left	Thru	Right	Peds	App. Total	Left	Thru	Right	Peds	App. Total	
Peak Hour Analysis From 06:00 to 08:45 - Peak 1 of 1																					
Peak Hour for Entire Intersection Begins at 06:45																					
06:45	17	4	6	0	27	2	36	7	0	45	3	12	17	0	32	2	164	4	0	170	274
07:00	15	13	1	0	29	7	51	6	0	64	3	12	10	0	25	5	179	1	0	185	303
07:15	23	9	6	0	38	0	63	9	0	72	3	16	13	0	32	6	180	5	0	191	333
07:30	14	8	9	0	31	0	60	7	0	67	1	17	15	0	33	4	174	3	0	181	312
Total Volume	69	34	22	0	125	9	210	29	0	248	10	57	55	0	122	17	697	13	0	727	1222
% App. Total	55.2	27.2	17.6	0		3.6	84.7	11.7	0		8.2	46.7	45.1	0		2.3	95.9	1.8	0		
PHF	.750	.654	.611	.000	.822	.321	.833	.806	.000	.861	.833	.838	.809	.000	.924	.708	.968	.650	.000	.952	.917





# MINNESOTA DEPT OF TRANSPORTATION

## TRAFFIC DATA COLLECTION - METRO

TH-212 at TH-284 / Co.Rd.53  
 COLOGNE  
 Ref.Pt.: 138.622  
 JAMAR # T-2638 CAH  
 TURN MOVEMENT COUNT

File Name : TH-212 at TH-284 CoRd 53 2011  
 Site Code : 00000000  
 Start Date : 2/15/2011  
 Page No : 3

Start Time	TH-284 / Paul Ave. South Southbound					TH-212 Westbound					Co.Rd. 53 Northbound					TH-212 Eastbound					Int. Total
	Left	Thru	Right	Peds	App. Total	Left	Thru	Right	Peds	App. Total	Left	Thru	Right	Peds	App. Total	Left	Thru	Right	Peds	App. Total	
16:30	10	27	11	0	48	10	145	27	0	182	4	13	4	0	21	2	74	8	0	84	335
16:45	9	17	12	0	38	11	185	16	0	212	10	12	2	0	24	8	62	3	0	73	347
17:00	8	18	4	0	30	19	151	11	0	181	3	12	7	0	22	4	78	2	0	84	317
17:15	6	20	4	0	30	20	183	23	0	226	2	22	1	0	25	1	48	4	0	53	334
Total Volume	33	82	31	0	146	60	664	77	0	801	19	59	14	0	92	15	262	17	0	294	1333
% App. Total	22.6	56.2	21.2	0		7.5	82.9	9.6	0		20.7	64.1	15.2	0		5.1	89.1	5.8	0		
PHF	.825	.759	.646	.000	.760	.750	.897	.713	.000	.886	.475	.670	.500	.000	.920	.469	.840	.531	.000	.875	.960

Peak Hour Analysis From 15:00 to 17:45 - Peak 1 of 1  
 Peak Hour for Entire Intersection Begins at 16:30

