

Alliant Engineering Inc Minneapolis, MN 55415

Valley View Rd at Market Place Drive
Eden Prairie
data by: Alliant Engineering
TURN MOVEMENT COUNT

File Name : 30_Valley View Road at Market Place Drive
Site Code : 00000030
Start Date : 10/20/2009
Page No : 1

Groups Printed- Unshifted - Bank 1

Start Time	commercial entrance Southbound				Valley View Road Westbound				Market Place Drive Northbound				Valley View Road Eastbound				Int. Total
	Left	Thru	Right	Peds	Left	Thru	Right	Peds	Left	Thru	Right	Peds	Left	Thru	Right	Peds	
06:30	1	0	0	1	2	54	17	0	1	0	1	0	5	90	8	0	180
06:45	2	0	0	0	5	66	24	0	0	0	0	0	6	116	6	0	225
Total	3	0	0	1	7	120	41	0	1	0	1	0	11	206	14	0	405
07:00	1	0	0	0	5	78	17	0	0	0	4	0	5	119	8	0	237
07:15	0	0	0	0	3	118	30	0	0	0	4	0	14	161	11	0	341
07:30	4	0	0	0	12	146	46	0	3	0	2	0	11	171	8	1	404
07:45	3	0	0	0	9	174	43	0	1	0	8	0	26	239	11	0	514
Total	8	0	0	0	29	516	136	0	4	0	18	0	56	690	38	1	1496
08:00	3	0	1	0	12	138	43	0	2	0	6	0	20	199	19	0	443
08:15	0	0	1	0	18	137	27	0	1	0	7	0	13	174	11	0	389
08:30	1	0	2	0	20	103	26	0	6	0	11	0	15	153	11	0	348
08:45	2	0	1	0	14	129	16	0	4	0	13	0	4	136	15	0	334
Total	6	0	5	0	64	507	112	0	13	0	37	0	52	662	56	0	1514
09:00	4	1	1	0	7	101	8	0	3	0	6	0	2	96	5	0	234
09:15	2	0	0	0	13	83	2	0	3	0	10	0	2	106	8	0	229
*** BREAK ***																	
Total	6	1	1	0	20	184	10	0	6	0	16	0	4	202	13	0	463
*** BREAK ***																	
10:30	2	0	1	0	4	66	4	0	1	0	4	0	1	65	1	0	149
10:45	6	0	0	0	6	94	3	0	4	0	1	0	1	76	3	0	194
Total	8	0	1	0	10	160	7	0	5	0	5	0	2	141	4	0	343
11:00	6	0	2	0	4	100	2	0	4	0	6	0	3	80	1	0	208
11:15	5	0	0	0	2	123	4	0	6	0	8	0	0	116	5	0	269
11:30	18	0	0	0	4	126	4	0	6	0	4	0	2	105	3	0	272
11:45	5	1	0	0	6	147	2	0	6	0	8	0	5	128	5	0	313
Total	34	1	2	0	16	496	12	0	22	0	26	0	10	429	14	0	1062
12:00	9	0	1	0	4	153	8	0	6	0	13	0	4	126	5	0	329
12:15	12	0	0	0	6	135	6	0	10	0	6	0	5	118	9	0	307
12:30	4	0	2	0	6	172	20	0	5	4	10	0	6	116	5	0	350
12:45	6	0	1	0	6	137	8	0	3	0	8	0	7	121	13	0	310
Total	31	0	4	0	22	597	42	0	24	4	37	0	22	481	32	0	1296
13:00	2	0	0	0	4	132	12	0	9	0	7	0	2	117	11	0	296
13:15	2	1	2	0	9	145	3	0	4	0	6	0	1	90	2	0	265
*** BREAK ***																	
Total	4	1	2	0	13	277	15	0	13	0	13	0	3	207	13	0	561
*** BREAK ***																	
14:30	2	0	2	0	5	122	5	0	5	0	4	0	1	85	3	0	234
14:45	4	0	0	0	5	140	4	0	2	0	3	0	0	89	1	0	248
Total	6	0	2	0	10	262	9	0	7	0	7	0	1	174	4	0	482
15:00	10	0	1	0	3	156	5	0	4	0	7	0	1	76	4	0	267
15:15	15	0	3	0	2	145	7	0	7	0	6	0	0	87	4	0	276
15:30	13	0	1	0	7	176	4	0	10	1	8	0	0	93	4	0	317
15:45	11	0	3	0	5	168	6	0	0	0	7	0	1	106	2	0	309
Total	49	0	8	0	17	645	22	0	21	1	28	0	2	362	14	0	1169
16:00	12	0	2	0	5	203	2	0	6	0	11	0	0	111	1	0	353
16:15	18	0	1	0	1	194	4	0	6	0	11	0	1	106	5	0	347
16:30	28	1	1	0	8	240	8	0	13	1	15	0	4	114	6	0	439
16:45	20	0	3	0	5	248	5	0	16	0	18	0	2	142	6	0	465
Total	78	1	7	0	19	885	19	0	41	1	55	0	7	473	18	0	1604

Alliant Engineering Inc

Minneapolis, MN 55415

Valley View Rd at Market Place Drive
 Eden Prairie
 data by: Alliant Engineering
 TURN MOVEMENT COUNT

File Name : 30_Valley View Road at Market Place Drive
 Site Code : 00000030
 Start Date : 10/20/2009
 Page No : 2

Groups Printed- Unshifted - Bank 1

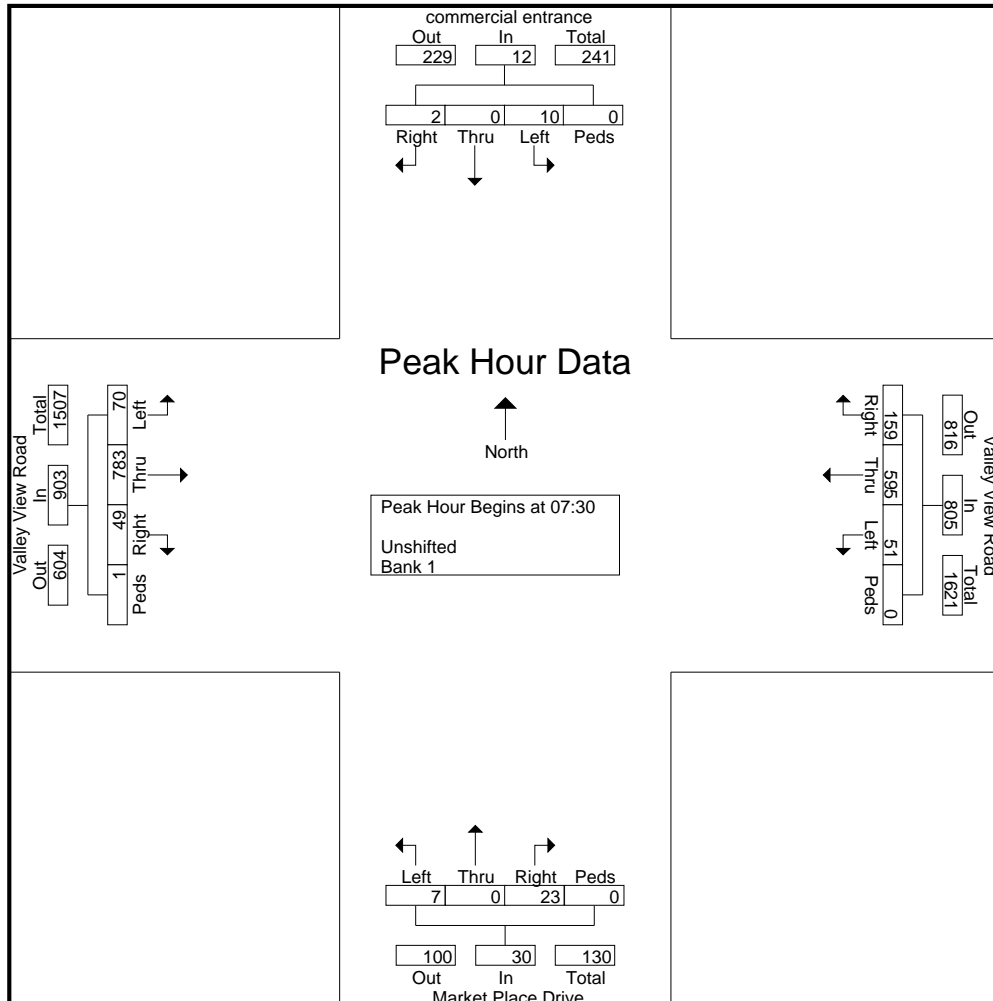
Start Time	commercial entrance Southbound				Valley View Road Westbound				Market Place Drive Northbound				Valley View Road Eastbound				Int. Total
	Left	Thru	Right	Peds	Left	Thru	Right	Peds	Left	Thru	Right	Peds	Left	Thru	Right	Peds	
17:00	32	0	5	0	8	278	2	0	23	0	22	0	2	131	7	0	510
17:15	27	0	4	0	9	264	2	0	15	0	18	1	4	131	4	1	480
17:30	21	1	9	0	9	276	3	0	4	0	22	0	2	136	6	0	489
17:45	17	1	0	0	3	190	3	0	7	1	8	0	1	122	2	0	355
Total	97	2	18	0	29	1008	10	0	49	1	70	1	9	520	19	1	1834
18:00	15	0	0	1	1	158	2	0	9	0	7	0	4	114	1	2	314
18:15	15	0	2	0	1	124	2	0	3	0	4	0	3	80	0	0	234
18:30	9	1	0	0	2	102	1	0	6	0	2	0	1	98	2	0	224
18:45	5	1	0	0	1	109	0	0	3	0	1	0	0	91	0	0	211
Total	44	2	2	1	5	493	5	0	21	0	14	0	8	383	3	2	983
Grand Total	374	8	52	2	261	6150	440	0	227	7	327	1	187	4930	242	4	13212
Apprch %	85.8	1.8	11.9	0.5	3.8	89.8	6.4	0	40.4	1.2	58.2	0.2	3.5	91.9	4.5	0.1	
Total %	2.8	0.1	0.4	0	2	46.5	3.3	0	1.7	0.1	2.5	0	1.4	37.3	1.8	0	
Unshifted	367	6	45	2	261	6127	439	0	225	7	327	1	180	4826	238	4	13055
% Unshifted	98.1	75	86.5	100	100	99.6	99.8	0	99.1	100	100	100	96.3	97.9	98.3	100	98.8
Bank 1	7	2	7	0	0	23	1	0	2	0	0	0	7	104	4	0	157
% Bank 1	1.9	25	13.5	0	0	0.4	0.2	0	0.9	0	0	0	3.7	2.1	1.7	0	1.2

Alliant Engineering Inc Minneapolis, MN 55415

Valley View Rd at Market Place Drive
Eden Prairie
data by: Alliant Engineering
TURN MOVEMENT COUNT

File Name : 30_Valley View Road at Market Place Drive
Site Code : 00000030
Start Date : 10/20/2009
Page No : 3

Start Time	commercial entrance Southbound					Valley View Road Westbound					Market Place Drive Northbound					Valley View Road Eastbound					Int. Total
	Left	Thru	Right	Peds	App. Total	Left	Thru	Right	Peds	App. Total	Left	Thru	Right	Peds	App. Total	Left	Thru	Right	Peds	App. Total	
Peak Hour Analysis From 06:30 to 09:15 - Peak 1 of 1																					
Peak Hour for Entire Intersection Begins at 07:30																					
07:30	4	0	0	0	4	12	146	46	0	204	3	0	2	0	5	11	171	8	1	191	404
07:45	3	0	0	0	3	9	174	43	0	226	1	0	8	0	9	26	239	11	0	276	514
08:00	3	0	1	0	4	12	138	43	0	193	2	0	6	0	8	20	199	19	0	238	443
08:15	0	0	1	0	1	18	137	27	0	182	1	0	7	0	8	13	174	11	0	198	389
Total Volume	10	0	2	0	12	51	595	159	0	805	7	0	23	0	30	70	783	49	1	903	1750
% App. Total	83.3	0	16.7	0		6.3	73.9	19.8	0		23.3	0	76.7	0		7.8	86.7	5.4	0.1		
PHF	.625	.000	.500	.000	.750	.708	.855	.864	.000	.890	.583	.000	.719	.000	.833	.673	.819	.645	.250	.818	.851



Alliant Engineering Inc Minneapolis, MN 55415

Valley View Rd at Market Place Drive
Eden Prairie
data by: Alliant Engineering
TURN MOVEMENT COUNT

File Name : 30_Valley View Road at Market Place Drive
Site Code : 00000030
Start Date : 10/20/2009
Page No : 4

Start Time	commercial entrance Southbound					Valley View Road Westbound					Market Place Drive Northbound					Valley View Road Eastbound					Int. Total
	Left	Thru	Right	Peds	App. Total	Left	Thru	Right	Peds	App. Total	Left	Thru	Right	Peds	App. Total	Left	Thru	Right	Peds	App. Total	
Peak Hour Analysis From 14:30 to 18:45 - Peak 1 of 1																					
Peak Hour for Entire Intersection Begins at 16:45																					
16:45	20	0	3	0	23	5	248	5	0	258	16	0	18	0	34	2	142	6	0	150	465
17:00	32	0	5	0	37	8	278	2	0	288	23	0	22	0	45	2	131	7	0	140	510
17:15	27	0	4	0	31	9	264	2	0	275	15	0	18	1	34	4	131	4	1	140	480
17:30	21	1	9	0	31	9	276	3	0	288	4	0	22	0	26	2	136	6	0	144	489
Total Volume	100	1	21	0	122	31	1066	12	0	1109	58	0	80	1	139	10	540	23	1	574	1944
% App. Total	82	0.8	17.2	0		2.8	96.1	1.1	0		41.7	0	57.6	0.7		1.7	94.1	4	0.2		
PHF	.781	.250	.583	.000	.824	.861	.959	.600	.000	.963	.630	.000	.909	.250	.772	.625	.951	.821	.250	.957	.953

