



# MINNESOTA DEPT OF TRANSPORTATION

## TRAFFIC DATA COLLECTION - METRO

CSAH-50 AT KENRICK AVE. (E OF I-35)  
 REF.PT.: DAKOTA CO./ LAKEVILLE  
 JAMAR # 632/XXX DR/HT  
 TURN MOVEMENT COUNT

File Name : CSAH-50 AT KENRICK AVE  
 Site Code : 00000000  
 Start Date : 2/21/2007  
 Page No : 1

### Groups Printed- Cars & Trucks

Start Time	KENRICK AVE Southbound				CSAH 50 Westbound				KENRICK AVE Northbound				CSAH 50 Eastbound				Int. Total
	Left	Thru	Right	Peds	Left	Thru	Right	Peds	Left	Thru	Right	Peds	Left	Thru	Right	Peds	
06:00	7	0	18	0	1	99	12	0	2	1	0	0	5	23	1	0	169
06:15	17	0	16	0	0	120	19	0	2	0	0	0	4	38	0	0	216
06:30	18	2	33	0	3	161	25	0	1	0	2	0	9	50	1	0	305
06:45	24	4	35	0	3	1	18	0	0	0	0	0	12	96	5	0	198
Total	66	6	102	0	7	381	74	0	5	1	2	0	30	207	7	0	888
07:00	27	3	33	0	7	186	31	0	1	0	0	0	8	100	4	0	400
07:15	68	3	32	0	14	202	29	0	3	0	3	0	12	97	6	0	469
07:30	24	6	30	0	7	205	50	0	2	0	0	0	10	48	18	0	400
07:45	28	11	23	0	12	153	23	0	4	2	2	0	21	58	19	0	356
Total	147	23	118	0	40	746	133	0	10	2	5	0	51	303	47	0	1625
08:00	25	10	13	0	7	129	27	0	1	2	0	0	16	56	13	0	299
08:15	13	7	22	0	11	133	23	0	7	6	0	0	15	45	17	0	299
08:30	34	11	14	0	14	100	22	0	7	10	2	0	20	68	18	0	320
08:45	28	6	25	0	18	109	28	0	12	12	0	0	17	55	12	0	322
Total	100	34	74	0	50	471	100	0	27	30	2	0	68	224	60	0	1240
*** BREAK ***																	
11:00	32	11	32	0	13	93	28	0	9	6	3	0	24	68	11	0	330
11:15	48	13	43	0	21	70	36	0	20	15	3	0	21	70	16	0	376
11:30	44	21	36	0	24	84	35	0	17	28	3	0	21	63	21	0	397
11:45	33	7	29	0	17	92	18	0	19	23	5	0	43	68	15	0	369
Total	157	52	140	0	75	339	117	0	65	72	14	0	109	269	63	0	1472
12:00	42	12	43	0	21	87	30	0	20	16	9	0	32	82	22	0	416
12:15	43	7	46	0	15	91	44	0	30	16	6	0	42	88	17	0	445
12:30	47	9	68	0	24	93	26	0	27	15	2	0	46	76	23	0	456
12:45	31	21	34	0	16	70	31	0	23	26	6	0	45	79	22	0	404
Total	163	49	191	0	76	341	131	0	100	73	23	0	165	325	84	0	1721
*** BREAK ***																	
15:00	67	14	44	0	19	87	24	0	11	13	3	1	37	96	19	0	435
15:15	60	10	32	0	11	119	37	0	11	19	2	0	31	123	28	0	483
15:30	52	14	49	0	13	140	28	0	18	11	4	0	43	126	7	0	505
15:45	64	10	34	0	9	87	33	0	16	14	7	0	54	108	20	0	456
Total	243	48	159	0	52	433	122	0	56	57	16	1	165	453	74	0	1879
16:00	69	14	34	0	13	103	31	0	20	16	6	0	40	113	28	0	487
16:15	54	15	45	0	17	95	42	0	21	17	3	0	58	138	19	0	524
16:30	64	8	26	0	15	109	34	0	26	16	1	0	49	152	22	0	522
16:45	59	11	51	0	15	120	40	0	26	13	6	0	54	143	25	0	563
Total	246	48	156	0	60	427	147	0	93	62	16	0	201	546	94	0	2096
17:00	61	16	41	0	11	107	26	0	24	16	9	0	56	185	19	0	571
17:15	70	17	33	0	23	98	31	0	19	18	2	0	64	162	40	0	577
17:30	63	13	55	0	22	113	35	0	17	21	4	0	60	154	17	0	574
17:45	57	18	38	0	18	106	37	1	25	11	2	0	64	146	25	0	548
Total	251	64	167	0	74	424	129	1	85	66	17	0	244	647	101	0	2270
Grand Total	1373	324	1107	0	434	3562	953	1	441	363	95	1	1033	2974	530	0	13191
Apprch %	49	11.6	39.5	0	8.8	72	19.3	0	49	40.3	10.6	0.1	22.8	65.5	11.7	0	
Total %	10.4	2.5	8.4	0	3.3	27	7.2	0	3.3	2.8	0.7	0	7.8	22.5	4	0	



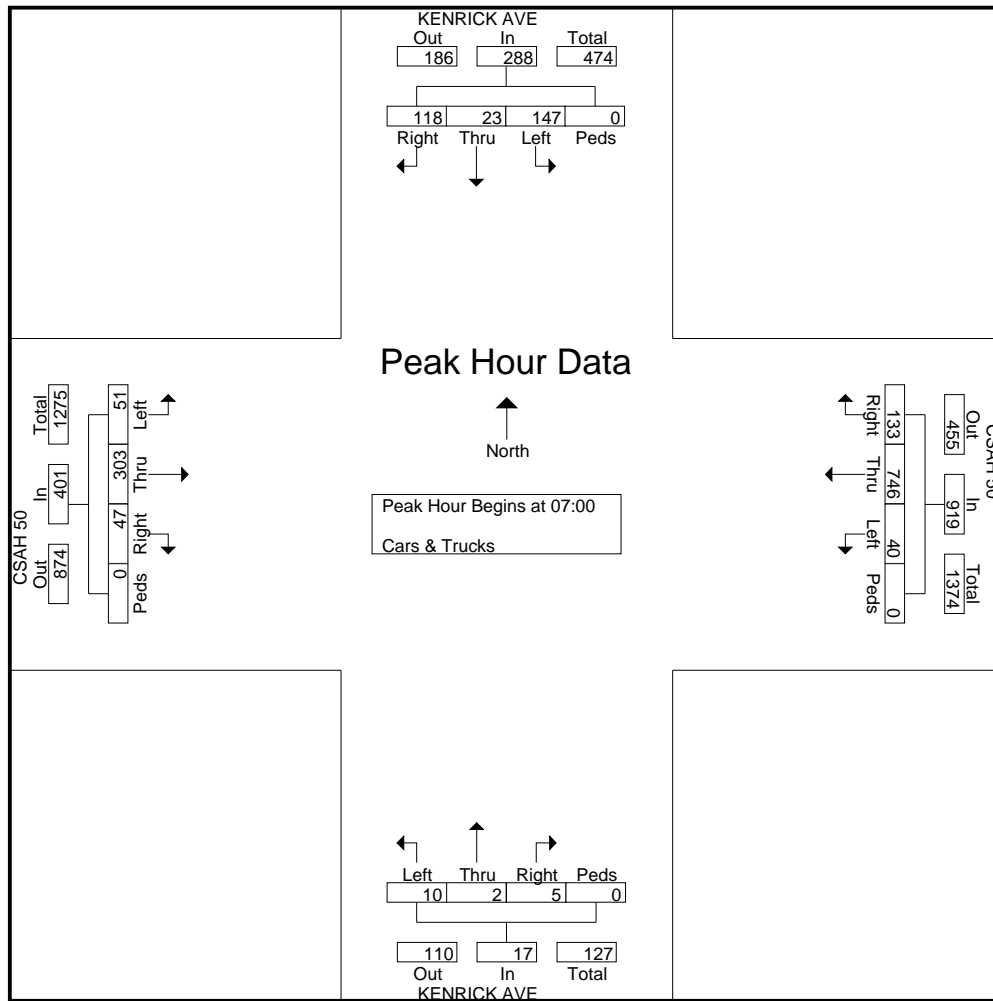
# MINNESOTA DEPT OF TRANSPORTATION

## TRAFFIC DATA COLLECTION - METRO

CSAH-50 AT KENRICK AVE. (E OF I-35)  
 REF.PT.: DAKOTA CO./ LAKEVILLE  
 JAMAR # 632/XXX DR/HT  
 TURN MOVEMENT COUNT

File Name : CSAH-50 AT KENRICK AVE  
 Site Code : 00000000  
 Start Date : 2/21/2007  
 Page No : 2

Start Time	KENRICK AVE Southbound					CSAH 50 Westbound					KENRICK AVE Northbound					CSAH 50 Eastbound					Int. Total
	Left	Thru	Right	Peds	App. Total	Left	Thru	Right	Peds	App. Total	Left	Thru	Right	Peds	App. Total	Left	Thru	Right	Peds	App. Total	
Peak Hour Analysis From 06:00 to 08:45 - Peak 1 of 1																					
Peak Hour for Entire Intersection Begins at 07:00																					
07:00	27	3	33	0	63	7	186	31	0	224	1	0	0	0	1	8	100	4	0	112	400
07:15	68	3	32	0	103	14	202	29	0	245	3	0	3	0	6	12	97	6	0	115	469
07:30	24	6	30	0	60	7	205	50	0	262	2	0	0	0	2	10	48	18	0	76	400
07:45	28	11	23	0	62	12	153	23	0	188	4	2	2	0	8	21	58	19	0	98	356
Total Volume	147	23	118	0	288	40	746	133	0	919	10	2	5	0	17	51	303	47	0	401	1625
% App. Total																					
PHF	.540	.523	.894	.000	.699	.714	.910	.665	.000	.877	.625	.250	.417	.000	.531	.607	.758	.618	.000	.872	.866





# MINNESOTA DEPT OF TRANSPORTATION

## TRAFFIC DATA COLLECTION - METRO

CSAH-50 AT KENRICK AVE. (E OF I-35)  
 REF.PT.: DAKOTA CO./ LAKEVILLE  
 JAMAR # 632/XXX DR/HT  
 TURN MOVEMENT COUNT

File Name : CSAH-50 AT KENRICK AVE  
 Site Code : 00000000  
 Start Date : 2/21/2007  
 Page No : 3

Start Time	KENRICK AVE Southbound					CSAH 50 Westbound					KENRICK AVE Northbound					CSAH 50 Eastbound					Int. Total
	Left	Thru	Right	Peds	App. Total	Left	Thru	Right	Peds	App. Total	Left	Thru	Right	Peds	App. Total	Left	Thru	Right	Peds	App. Total	
Peak Hour Analysis From 15:00 to 17:45 - Peak 1 of 1																					
Peak Hour for Entire Intersection Begins at 16:45																					
16:45	59	11	51	0	121	15	120	40	0	175	26	13	6	0	45	54	143	25	0	222	563
17:00	61	16	41	0	118	11	107	26	0	144	24	16	9	0	49	56	185	19	0	260	571
17:15	70	17	33	0	120	23	98	31	0	152	19	18	2	0	39	64	162	40	0	266	577
17:30	63	13	55	0	131	22	113	35	0	170	17	21	4	0	42	60	154	17	0	231	574
Total Volume	253	57	180	0	490	71	438	132	0	641	86	68	21	0	175	234	644	101	0	979	2285
% App. Total																					
PHF	.904	.838	.818	.000	.935	.772	.913	.825	.000	.916	.827	.810	.583	.000	.893	.914	.870	.631	.000	.920	.990

