



MINNESOTA DEPT OF TRANSPORTATION

TRAFFIC DATA COLLECTION - METRO

TH-97 at I-35, east ramps
 Ref.Pt.: 000.138
 JAMAR # D4-3358 TC
 TURN MOVEMENT COUNT

File Name : TH-97 at I-35 east ramps 2009
 Site Code : 00000000
 Start Date : 4/30/2009
 Page No : 1

Groups Printed- Cars & Trucks

Start Time	ramp to I-35 NB Southbound				TH-97 Westbound				ramp from I-35 NB Northbound				TH-97 Eastbound				Int. Total
	Left	Thru	Right	Peds	Left	Thru	Right	Peds	Left	Thru	Right	Peds	Left	Thru	Right	Peds	
06:00	0	0	0	0	0	221	6	0	4	0	19	0	2	22	0	0	274
06:15	0	0	0	0	0	269	5	0	5	0	29	0	6	17	0	0	331
06:30	0	0	0	0	0	241	9	0	10	0	38	0	13	20	0	0	331
06:45	0	0	0	0	0	256	13	0	9	0	64	0	18	28	0	0	388
Total	0	0	0	0	0	987	33	0	28	0	150	0	39	87	0	0	1324
07:00	0	0	0	0	0	263	8	0	12	0	37	0	9	52	0	0	381
07:15	0	0	0	0	0	283	6	0	11	0	64	0	13	73	0	0	450
07:30	0	0	0	0	0	225	10	0	15	1	70	0	26	96	0	0	443
07:45	0	0	0	0	0	271	7	0	22	1	59	0	14	78	0	0	452
Total	0	0	0	0	0	1042	31	0	60	2	230	0	62	299	0	0	1726
08:00	0	0	0	0	0	250	10	0	9	0	56	0	15	31	0	0	371
08:15	0	0	0	0	0	181	7	0	19	0	61	0	15	24	0	0	307
08:30	0	0	0	0	0	148	11	0	15	0	49	0	25	33	0	0	281
08:45	0	0	0	0	0	154	18	0	22	0	59	0	13	29	0	0	295
Total	0	0	0	0	0	733	46	0	65	0	225	0	68	117	0	0	1254
15:00	0	0	0	0	0	111	19	0	26	1	136	0	45	53	0	0	391
15:15	0	0	0	0	0	113	20	0	39	1	184	0	41	52	0	0	450
15:30	0	0	0	0	0	139	17	0	50	1	211	0	39	73	0	0	530
15:45	0	0	0	0	0	97	37	0	27	0	223	0	70	65	0	0	519
Total	0	0	0	0	0	460	93	0	142	3	754	0	195	243	0	0	1890
16:00	0	0	0	0	0	136	19	0	46	0	223	0	50	80	0	0	554
16:15	0	0	0	0	0	119	22	0	33	1	235	0	59	88	0	0	557
16:30	0	0	0	0	0	133	34	0	42	1	257	0	45	84	0	0	596
16:45	0	0	0	0	0	139	25	0	34	2	236	0	60	85	0	0	581
Total	0	0	0	0	0	527	100	0	155	4	951	0	214	337	0	0	2288
17:00	0	0	0	0	0	151	34	0	39	1	245	0	74	80	0	0	624
17:15	0	0	0	0	0	144	23	0	48	0	261	0	62	81	0	0	619
17:30	0	0	0	0	0	134	29	1	36	0	230	0	59	100	0	0	589
17:45	0	0	0	0	0	117	30	0	47	0	204	0	56	72	0	0	526
Total	0	0	0	0	0	546	116	1	170	1	940	0	251	333	0	0	2358
Grand Total	0	0	0	0	0	4295	419	1	620	10	3250	0	829	1416	0	0	10840
Apprch %	0	0	0	0	0	91.1	8.9	0	16	0.3	83.8	0	36.9	63.1	0	0	
Total %	0	0	0	0	0	39.6	3.9	0	5.7	0.1	30	0	7.6	13.1	0	0	



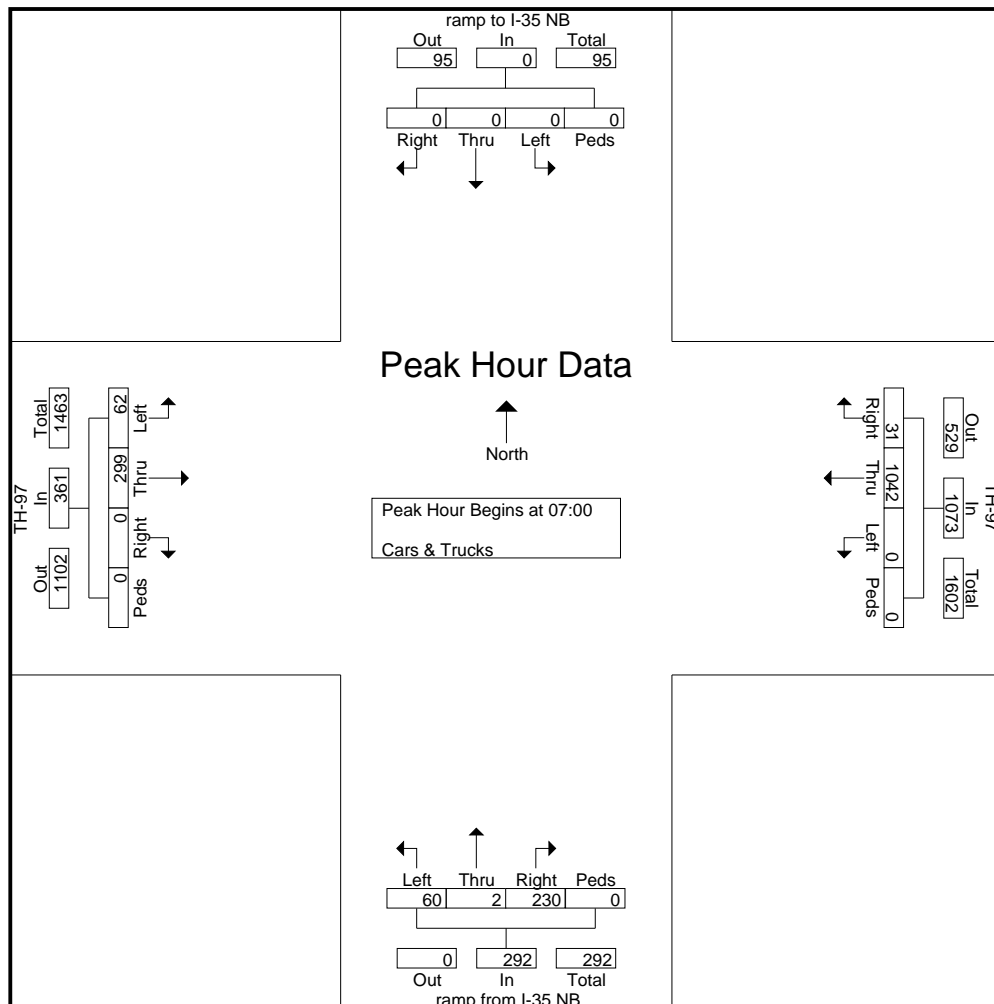
MINNESOTA DEPT OF TRANSPORTATION

TRAFFIC DATA COLLECTION - METRO

TH-97 at I-35, east ramps
 Ref.Pt.: 000.138
 JAMAR # D4-3358 TC
 TURN MOVEMENT COUNT

File Name : TH-97 at I-35 east ramps 2009
 Site Code : 00000000
 Start Date : 4/30/2009
 Page No : 2

Start Time	ramp to I-35 NB Southbound					TH-97 Westbound					ramp from I-35 NB Northbound					TH-97 Eastbound					Int. Total
	Left	Thru	Right	Peds	App. Total	Left	Thru	Right	Peds	App. Total	Left	Thru	Right	Peds	App. Total	Left	Thru	Right	Peds	App. Total	
Peak Hour Analysis From 06:00 to 08:45 - Peak 1 of 1																					
Peak Hour for Entire Intersection Begins at 07:00																					
07:00	0	0	0	0	0	0	263	8	0	271	12	0	37	0	49	9	52	0	0	61	381
07:15	0	0	0	0	0	0	283	6	0	289	11	0	64	0	75	13	73	0	0	86	450
07:30	0	0	0	0	0	0	225	10	0	235	15	1	70	0	86	26	96	0	0	122	443
07:45	0	0	0	0	0	0	271	7	0	278	22	1	59	0	82	14	78	0	0	92	452
Total Volume	0	0	0	0	0	0	1042	31	0	1073	60	2	230	0	292	62	299	0	0	361	1726
% App. Total	0	0	0	0	0	0	97.1	2.9	0	100.0	20.5	0.7	78.8	0	100.0	17.2	82.8	0	0	100.0	100.0
PHF	.000	.000	.000	.000	.000	.000	.920	.775	.000	.928	.682	.500	.821	.000	.849	.596	.779	.000	.000	.740	.955





MINNESOTA DEPT OF TRANSPORTATION

TRAFFIC DATA COLLECTION - METRO

TH-97 at I-35, east ramps

Ref.Pt.: 000.138

JAMAR # D4-3358 TC

TURN MOVEMENT COUNT

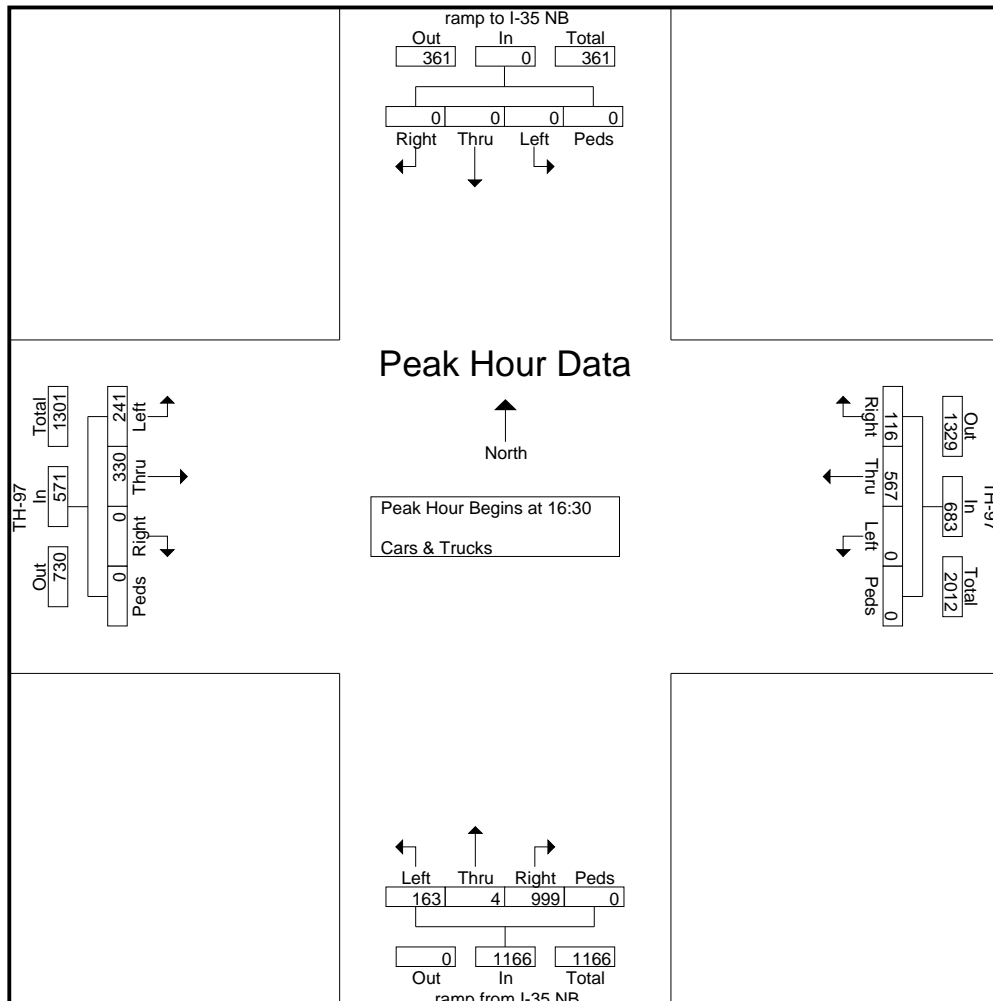
File Name : TH-97 at I-35 east ramps 2009

Site Code : 00000000

Start Date : 4/30/2009

Page No : 3

Start Time	ramp to I-35 NB Southbound					TH-97 Westbound					ramp from I-35 NB Northbound					TH-97 Eastbound					Int. Total
	Left	Thru	Right	Peds	App. Total	Left	Thru	Right	Peds	App. Total	Left	Thru	Right	Peds	App. Total	Left	Thru	Right	Peds	App. Total	
Peak Hour Analysis From 15:00 to 17:45 - Peak 1 of 1																					
Peak Hour for Entire Intersection Begins at 16:30																					
16:30	0	0	0	0	0	0	133	34	0	167	42	1	257	0	300	45	84	0	0	129	596
16:45	0	0	0	0	0	0	139	25	0	164	34	2	236	0	272	60	85	0	0	145	581
17:00	0	0	0	0	0	0	151	34	0	185	39	1	245	0	285	74	80	0	0	154	624
17:15	0	0	0	0	0	0	144	23	0	167	48	0	261	0	309	62	81	0	0	143	619
Total Volume	0	0	0	0	0	0	567	116	0	683	163	4	999	0	1166	241	330	0	0	571	2420
% App. Total	0	0	0	0	0	0	83	17	0		14	0.3	85.7	0		42.2	57.8	0	0		
PHF	.000	.000	.000	.000	.000	.000	.939	.853	.000	.923	.849	.500	.957	.000	.943	.814	.971	.000	.000	.927	.970





MINNESOTA DEPT OF TRANSPORTATION

TRAFFIC DATA COLLECTION - METRO

TH -97 AT I-35 EAST RAMPS
 Ref.Pt.: 129.00.388 NOON
 JAMAR# 632 DR
 TURN MOVEMENT COUNT

File Name : TH 97 AT I 35 EAST RAMPS 2008
 Site Code : 00000000
 Start Date : 6/11/2008
 Page No : 1

Groups Printed- Unshifted

Start Time	RAMP TO I 35 NB Southbound				TH 97 Westbound				RAMP FROM I 35 NB Northbound				TH 97 Eastbound				Int. Total
	Left	Thru	Right	Peds	Left	Thru	Right	Peds	Left	Thru	Right	Peds	Left	Thru	Right	Peds	
10:45	0	0	0	0	0	140	15	0	31	0	76	0	33	42	0	0	337
Total	0	0	0	0	0	140	15	0	31	0	76	0	33	42	0	0	337
11:00	0	0	0	0	0	106	23	0	32	0	75	0	36	47	0	0	319
11:15	0	0	0	0	0	96	19	0	34	1	67	0	21	39	0	0	277
11:30	0	0	0	0	0	123	15	0	25	0	89	0	33	41	0	0	326
11:45	0	0	0	0	0	104	23	0	38	1	68	0	40	39	0	0	313
Total	0	0	0	0	0	429	80	0	129	2	299	0	130	166	0	0	1235
12:00	0	0	0	0	0	106	22	0	35	3	91	0	28	43	0	0	328
12:15	0	0	0	0	0	114	18	0	27	0	79	0	25	31	0	0	294
12:30	0	0	0	0	0	101	32	0	34	2	69	0	44	41	0	0	323
12:45	0	0	0	0	0	90	19	0	33	1	75	0	32	52	0	0	302
Total	0	0	0	0	0	411	91	0	129	6	314	0	129	167	0	0	1247
Grand Total	0	0	0	0	0	980	186	0	289	8	689	0	292	375	0	0	2819
Apprch %	0	0	0	0	0	84	16	0	29.3	0.8	69.9	0	43.8	56.2	0	0	
Total %	0	0	0	0	0	34.8	6.6	0	10.3	0.3	24.4	0	10.4	13.3	0	0	



MINNESOTA DEPT OF TRANSPORTATION

TRAFFIC DATA COLLECTION - METRO

TH -97 AT I-35 EAST RAMPS
 Ref.Pt.: 129.00.388 NOON
 JAMAR# 632 DR
 TURN MOVEMENT COUNT

File Name : TH 97 AT I 35 EAST RAMPS 2008
 Site Code : 00000000
 Start Date : 6/11/2008
 Page No : 2

Start Time	RAMP TO I 35 NB Southbound					TH 97 Westbound					RAMP FROM I 35 NB Northbound					TH 97 Eastbound					Int. Total
	Left	Thru	Right	Peds	App. Total	Left	Thru	Right	Peds	App. Total	Left	Thru	Right	Peds	App. Total	Left	Thru	Right	Peds	App. Total	
Peak Hour Analysis From 10:45 to 12:45 - Peak 1 of 1																					
Peak Hour for Entire Intersection Begins at 11:30																					
11:30	0	0	0	0	0	0	123	15	0	138	25	0	89	0	114	33	41	0	0	74	326
11:45	0	0	0	0	0	0	104	23	0	127	38	1	68	0	107	40	39	0	0	79	313
12:00	0	0	0	0	0	0	106	22	0	128	35	3	91	0	129	28	43	0	0	71	328
12:15	0	0	0	0	0	0	114	18	0	132	27	0	79	0	106	25	31	0	0	56	294
Total Volume	0	0	0	0	0	0	447	78	0	525	125	4	327	0	456	126	154	0	0	280	1261
% App. Total																					
PHF	.000	.000	.000	.000	.000	.000	.909	.848	.000	.951	.822	.333	.898	.000	.884	.788	.895	.000	.000	.886	.961

