



MINNESOTA DEPT OF TRANSPORTATION

TRAFFIC DATA COLLECTION - METRO

I-35W at W 90th Street, east ramps
 Ref.Pt.: 007.282
 JAMAR # 632 BR
 TURN MOVEMENT COUNT

File Name : I-35W at W 90th St east ramps 2012
 Site Code : 00000000
 Start Date : 1/12/2012
 Page No : 1

Groups Printed- Cars & Trucks

Start Time	ramp to I-35W NB Southbound				W 90th Street Westbound				ramp from I-35W NB / frontage rd Northbound				W 90th Street Eastbound				Int. Total
	Left	Thru	Right	Peds	Left	Thru	Right	Peds	Left	Thru	Right	Peds	Left	Thru	Right	Peds	
06:00	0	0	0	0	0	12	11	0	12	1	19	0	9	28	0	0	92
06:15	0	0	0	0	0	29	28	0	41	0	22	0	17	52	0	0	189
06:30	0	0	0	0	0	62	40	0	44	1	34	0	35	61	0	0	277
06:45	0	0	0	0	0	75	22	0	45	3	32	0	22	76	0	0	275
Total	0	0	0	0	0	178	101	0	142	5	107	0	83	217	0	0	833
07:00	0	0	0	0	0	69	34	0	56	0	27	0	37	66	0	0	289
07:15	0	0	0	0	0	102	34	0	72	4	30	0	42	81	0	0	365
07:30	0	0	0	0	0	155	45	0	100	4	29	0	40	89	0	0	462
07:45	0	0	0	0	0	113	29	0	145	3	44	0	28	126	0	0	488
Total	0	0	0	0	0	439	142	0	373	11	130	0	147	362	0	0	1604
08:00	0	0	0	0	0	113	19	0	119	0	33	0	30	92	0	0	406
08:15	0	0	0	0	0	100	33	0	98	1	18	0	31	77	0	0	358
08:30	0	0	0	0	0	113	21	0	85	2	30	0	24	69	0	0	344
08:45	0	0	0	0	0	89	34	0	54	4	28	0	28	79	0	0	316
Total	0	0	0	0	0	415	107	0	356	7	109	0	113	317	0	0	1424
*** BREAK ***																	
11:00	0	0	0	0	0	57	34	0	20	6	19	0	23	74	0	0	233
11:15	0	0	0	0	0	56	36	0	20	1	25	0	24	85	0	0	247
11:30	0	0	0	0	0	67	47	0	21	5	25	0	22	72	0	0	259
11:45	0	0	0	0	0	56	31	0	23	3	27	0	12	101	0	0	253
Total	0	0	0	0	0	236	148	0	84	15	96	0	81	332	0	0	992
12:00	0	0	0	0	0	73	30	0	19	7	29	0	24	85	0	0	267
12:15	0	0	0	0	0	65	38	0	22	7	33	0	28	87	0	0	280
12:30	0	0	0	0	0	62	24	1	26	3	26	0	20	89	0	0	251
12:45	0	0	0	0	0	67	41	0	24	9	18	0	22	81	0	0	262
Total	0	0	0	0	0	267	133	1	91	26	106	0	94	342	0	0	1060
*** BREAK ***																	
15:00	0	0	0	0	0	80	54	0	26	3	26	0	28	101	0	0	318
15:15	0	0	0	0	0	84	40	0	17	2	34	0	15	89	0	0	281
15:30	0	0	0	0	0	106	74	0	21	5	23	0	38	97	0	0	364
15:45	0	0	0	0	0	79	43	0	36	10	35	0	29	114	0	0	346
Total	0	0	0	0	0	349	211	0	100	20	118	0	110	401	0	0	1309
16:00	0	0	0	0	0	82	46	1	27	10	32	0	33	95	0	0	326
16:15	0	0	0	0	0	118	47	0	38	4	34	0	21	106	0	0	368
16:30	0	0	0	0	0	103	35	0	36	6	34	0	30	106	0	0	350
16:45	0	0	0	0	0	97	38	0	42	7	34	0	41	158	0	0	417
Total	0	0	0	0	0	400	166	1	143	27	134	0	125	465	0	0	1461
17:00	0	0	0	0	0	123	49	0	38	8	42	0	26	123	0	1	410
17:15	0	0	0	0	0	104	48	0	46	2	37	0	38	123	0	0	398
17:30	0	0	0	0	0	96	46	0	37	7	24	0	36	131	0	0	377
17:45	0	0	0	0	0	94	33	0	19	2	25	0	26	138	0	0	337
Total	0	0	0	0	0	417	176	0	140	19	128	0	126	515	0	1	1522



MINNESOTA DEPT OF TRANSPORTATION

TRAFFIC DATA COLLECTION - METRO

I-35W at W 90th Street, east ramps
 Ref.Pt.: 007.282
 JAMAR # 632 BR
 TURN MOVEMENT COUNT

File Name : I-35W at W 90th St east ramps 2012
 Site Code : 00000000
 Start Date : 1/12/2012
 Page No : 2

Groups Printed- Cars & Trucks

	ramp to I-35W NB Southbound				W 90th Street Westbound				ramp from I-35W NB / frontage rd Northbound				W 90th Street Eastbound				Int. Total
	Left	Thru	Right	Peds	Left	Thru	Right	Peds	Left	Thru	Right	Peds	Left	Thru	Right	Peds	
Grand Total	0	0	0	0	0	2701	1184	2	1429	130	928	0	879	2951	0	1	10205
Apprch %	0	0	0	0	0	69.5	30.5	0.1	57.5	5.2	37.3	0	22.9	77	0	0	
Total %	0	0	0	0	0	26.5	11.6	0	14	1.3	9.1	0	8.6	28.9	0	0	



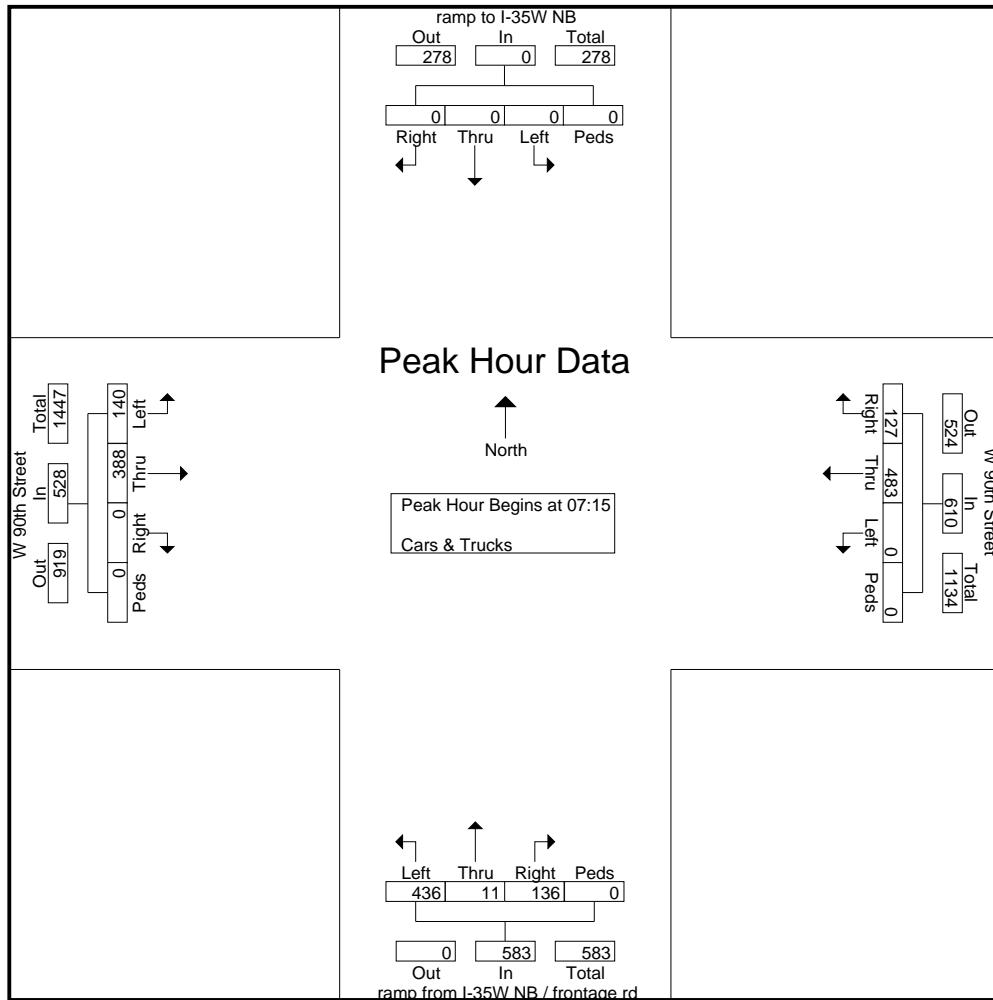
MINNESOTA DEPT OF TRANSPORTATION

TRAFFIC DATA COLLECTION - METRO

I-35W at W 90th Street, east ramps
 Ref.Pt.: 007.282
 JAMAR # 632 BR
 TURN MOVEMENT COUNT

File Name : I-35W at W 90th St east ramps 2012
 Site Code : 00000000
 Start Date : 1/12/2012
 Page No : 3

Start Time	ramp to I-35W NB Southbound					W 90th Street Westbound					ramp from I-35W NB / frontage rd Northbound					W 90th Street Eastbound					Int. Total
	Left	Thru	Right	Peds	App. Total	Left	Thru	Right	Peds	App. Total	Left	Thru	Right	Peds	App. Total	Left	Thru	Right	Peds	App. Total	
Peak Hour Analysis From 06:00 to 08:45 - Peak 1 of 1																					
Peak Hour for Entire Intersection Begins at 07:15																					
07:15	0	0	0	0	0	0	102	34	0	136	72	4	30	0	106	42	81	0	0	123	365
07:30	0	0	0	0	0	0	155	45	0	200	100	4	29	0	133	40	89	0	0	129	462
07:45	0	0	0	0	0	0	113	29	0	142	145	3	44	0	192	28	126	0	0	154	488
08:00	0	0	0	0	0	0	113	19	0	132	119	0	33	0	152	30	92	0	0	122	406
Total Volume	0	0	0	0	0	0	483	127	0	610	436	11	136	0	583	140	388	0	0	528	1721
% App. Total	0	0	0	0	0	0	79.2	20.8	0		74.8	1.9	23.3	0		26.5	73.5	0	0		
PHF	.000	.000	.000	.000	.000	.000	.779	.706	.000	.763	.752	.688	.773	.000	.759	.833	.770	.000	.000	.857	.882





MINNESOTA DEPT OF TRANSPORTATION

TRAFFIC DATA COLLECTION - METRO

I-35W at W 90th Street, east ramps
 Ref.Pt.: 007.282
 JAMAR # 632 BR
 TURN MOVEMENT COUNT

File Name : I-35W at W 90th St east ramps 2012
 Site Code : 00000000
 Start Date : 1/12/2012
 Page No : 4

Start Time	ramp to I-35W NB Southbound					W 90th Street Westbound					ramp from I-35W NB / frontage rd Northbound					W 90th Street Eastbound					Int. Total
	Left	Thru	Right	Peds	App. Total	Left	Thru	Right	Peds	App. Total	Left	Thru	Right	Peds	App. Total	Left	Thru	Right	Peds	App. Total	
Peak Hour Analysis From 15:00 to 17:45 - Peak 1 of 1 Peak Hour for Entire Intersection Begins at 16:45																					
16:45	0	0	0	0	0	0	97	38	0	135	42	7	34	0	83	41	158	0	0	199	417
17:00	0	0	0	0	0	0	123	49	0	172	38	8	42	0	88	26	123	0	1	150	410
17:15	0	0	0	0	0	0	104	48	0	152	46	2	37	0	85	38	123	0	0	161	398
17:30	0	0	0	0	0	0	96	46	0	142	37	7	24	0	68	36	131	0	0	167	377
Total Volume	0	0	0	0	0	0	420	181	0	601	163	24	137	0	324	141	535	0	1	677	1602
% App. Total	0	0	0	0	0	0	69.9	30.1	0		50.3	7.4	42.3	0		20.8	79	0	0.1		
PHF	.000	.000	.000	.000	.000	.000	.854	.923	.000	.874	.886	.750	.815	.000	.920	.860	.847	.000	.250	.851	.960

