



MINNESOTA DEPT OF TRANSPORTATION

TRAFFIC DATA COLLECTION - METRO

I-494 at Portland Ave., South Ramps
 Ref.Pt.: 003.848
 JAMAR # T-2638 CAH
 TURN MOVEMENT COUNT

File Name : I-494 at Portland Ave south ramps 2010
 Site Code : 00000000
 Start Date : 10/7/2010
 Page No : 1

Groups Printed- Cars & Trucks

Start Time	Portland Ave. Southbound				ramp to EB I-494 Westbound				Portland Ave. Northbound				ramp from EB I-494 Eastbound				Int. Total
	Left	Thru	Right	Peds	Left	Thru	Right	Peds	Left	Thru	Right	Peds	Left	Thru	Right	Peds	
06:00	11	15	0	0	0	0	0	0	0	37	1	0	18	19	12	0	113
06:15	12	20	0	1	0	0	0	0	0	55	4	1	21	19	12	1	146
06:30	6	26	0	0	0	0	0	0	0	72	7	1	21	39	17	0	189
06:45	14	41	0	2	0	0	0	0	0	51	13	0	19	38	21	1	200
Total	43	102	0	3	0	0	0	0	0	215	25	2	79	115	62	2	648
07:00	11	46	0	0	0	0	0	0	0	80	18	2	24	50	23	0	254
07:15	24	62	0	0	0	0	0	0	0	77	13	0	23	40	23	0	262
07:30	18	71	0	1	0	0	0	0	0	107	17	0	27	53	18	0	312
07:45	26	104	0	0	0	0	0	0	0	83	21	2	18	75	22	0	351
Total	79	283	0	1	0	0	0	0	0	347	69	4	92	218	86	0	1179
08:00	15	64	0	0	0	0	0	0	0	79	5	2	14	60	22	0	261
08:15	15	74	0	1	0	0	0	0	0	66	18	3	13	54	17	0	261
08:30	19	59	0	0	0	0	0	0	0	75	12	1	14	52	25	0	257
08:45	19	83	0	1	0	0	0	0	0	77	17	1	12	54	24	0	288
Total	68	280	0	2	0	0	0	0	0	297	52	7	53	220	88	0	1067
*** BREAK ***																	
15:00	31	90	0	1	0	0	0	0	0	128	24	7	40	44	45	2	412
15:15	30	114	0	1	0	0	0	0	0	132	20	7	32	53	31	2	422
15:30	27	100	0	1	0	0	0	0	0	143	34	3	25	32	43	0	408
15:45	29	114	0	4	0	0	0	0	0	143	27	10	29	41	49	0	446
Total	117	418	0	7	0	0	0	0	0	546	105	27	126	170	168	4	1688
16:00	41	128	0	5	0	0	0	0	0	178	39	17	32	39	27	3	509
16:15	49	129	0	3	0	0	0	0	0	137	35	8	23	24	20	0	428
16:30	47	151	0	0	0	0	0	0	0	144	37	5	18	17	32	0	451
16:45	54	182	0	1	0	0	0	0	0	143	28	17	20	37	27	0	509
Total	191	590	0	9	0	0	0	0	0	602	139	47	93	117	106	3	1897
17:00	41	142	0	3	0	0	0	0	0	186	31	3	12	31	24	0	473
17:15	40	181	0	0	0	0	0	0	0	131	49	8	25	30	20	1	485
17:30	37	144	0	1	0	0	0	0	0	134	35	9	21	25	23	0	429
17:45	43	176	0	8	0	0	0	0	0	124	43	10	21	39	28	1	493
Total	161	643	0	12	0	0	0	0	0	575	158	30	79	125	95	2	1880
Grand Total	659	2316	0	34	0	0	0	0	0	2582	548	117	522	965	605	11	8359
Apprch %	21.9	77	0	1.1	0	0	0	0	0	79.5	16.9	3.6	24.8	45.9	28.8	0.5	
Total %	7.9	27.7	0	0.4	0	0	0	0	0	30.9	6.6	1.4	6.2	11.5	7.2	0.1	



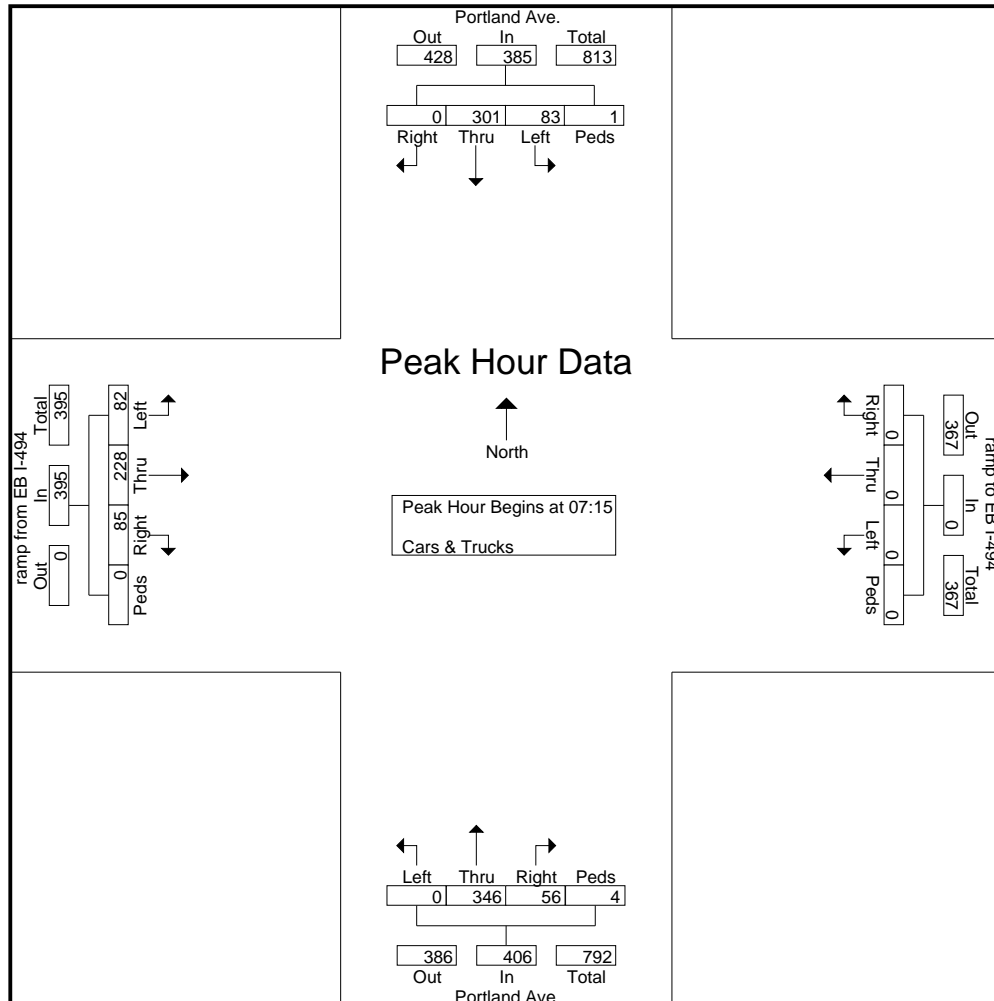
MINNESOTA DEPT OF TRANSPORTATION

TRAFFIC DATA COLLECTION - METRO

I-494 at Portland Ave., South Ramps
 Ref.Pt.: 003.848
 JAMAR # T-2638 CAH
 TURN MOVEMENT COUNT

File Name : I-494 at Portland Ave south ramps 2010
 Site Code : 00000000
 Start Date : 10/7/2010
 Page No : 2

Start Time	Portland Ave. Southbound					ramp to EB I-494 Westbound					Portland Ave. Northbound					ramp from EB I-494 Eastbound					Int. Total
	Left	Thru	Right	Peds	App. Total	Left	Thru	Right	Peds	App. Total	Left	Thru	Right	Peds	App. Total	Left	Thru	Right	Peds	App. Total	
Peak Hour Analysis From 06:00 to 08:45 - Peak 1 of 1																					
Peak Hour for Entire Intersection Begins at 07:15																					
07:15	24	62	0	0	86	0	0	0	0	0	0	77	13	0	90	23	40	23	0	86	262
07:30	18	71	0	1	90	0	0	0	0	0	0	107	17	0	124	27	53	18	0	98	312
07:45	26	104	0	0	130	0	0	0	0	0	0	83	21	2	106	18	75	22	0	115	351
08:00	15	64	0	0	79	0	0	0	0	0	0	79	5	2	86	14	60	22	0	96	261
Total Volume	83	301	0	1	385	0	0	0	0	0	0	346	56	4	406	82	228	85	0	395	1186
% App. Total	21.6	78.2	0	0.3		0	0	0	0		0	85.2	13.8	1		20.8	57.7	21.5	0		
PHF	.798	.724	.000	.250	.740	.000	.000	.000	.000	.000	.000	.808	.667	.500	.819	.759	.760	.924	.000	.859	.845





MINNESOTA DEPT OF TRANSPORTATION

TRAFFIC DATA COLLECTION - METRO

I-494 at Portland Ave., South Ramps
 Ref.Pt.: 003.848
 JAMAR # T-2638 CAH
 TURN MOVEMENT COUNT

File Name : I-494 at Portland Ave south ramps 2010
 Site Code : 00000000
 Start Date : 10/7/2010
 Page No : 3

Start Time	Portland Ave. Southbound					ramp to EB I-494 Westbound					Portland Ave. Northbound					ramp from EB I-494 Eastbound					Int. Total
	Left	Thru	Right	Peds	App. Total	Left	Thru	Right	Peds	App. Total	Left	Thru	Right	Peds	App. Total	Left	Thru	Right	Peds	App. Total	
Peak Hour Analysis From 15:00 to 17:45 - Peak 1 of 1 Peak Hour for Entire Intersection Begins at 16:30																					
16:30	47	151	0	0	198	0	0	0	0	0	0	144	37	5	186	18	17	32	0	67	451
16:45	54	182	0	1	237	0	0	0	0	0	0	143	28	17	188	20	37	27	0	84	509
17:00	41	142	0	3	186	0	0	0	0	0	0	186	31	3	220	12	31	24	0	67	473
17:15	40	181	0	0	221	0	0	0	0	0	0	131	49	8	188	25	30	20	1	76	485
Total Volume	182	656	0	4	842	0	0	0	0	0	0	604	145	33	782	75	115	103	1	294	1918
% App. Total	21.6	77.9	0	0.5		0	0	0	0		0	77.2	18.5	4.2		25.5	39.1	35	0.3		
PHF	.843	.901	.000	.333	.888	.000	.000	.000	.000	.000	.000	.812	.740	.485	.889	.750	.777	.805	.250	.875	.942

