

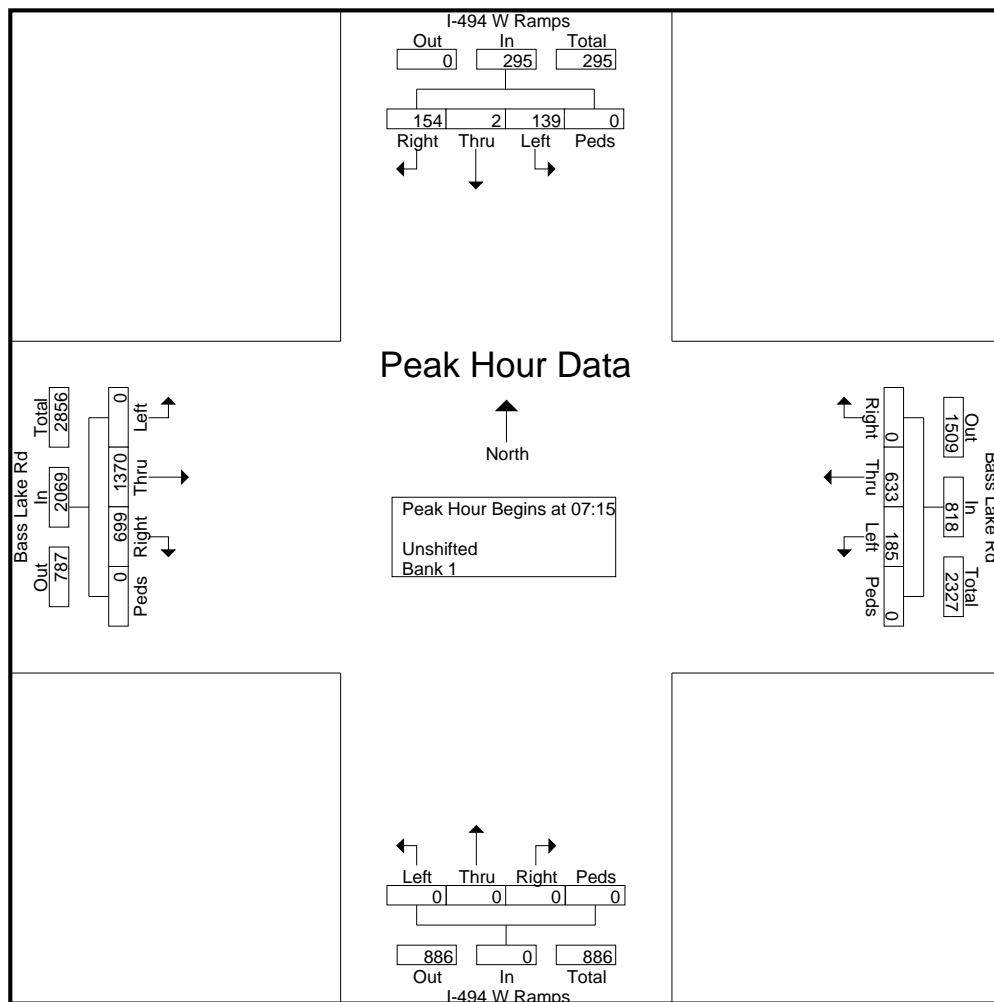
SRF Consulting Group, Inc

Minneapolis, MN 55447

Counted by: Kelcie SRF
 Day of week: Tuesday
 Location: 11
 CSAH 10 @ I-494 W. RAMP

File Name : 3326SRF
 Site Code : 00000034
 Start Date : 4/20/2011
 Page No : 2

Start Time	I-494 W Ramps Southbound					Bass Lake Rd Westbound					I-494 W Ramps Northbound					Bass Lake Rd Eastbound					Int. Total
	Left	Thru	Right	Peds	App. Total	Left	Thru	Right	Peds	App. Total	Left	Thru	Right	Peds	App. Total	Left	Thru	Right	Peds	App. Total	
Peak Hour Analysis From 05:30 to 08:15 - Peak 1 of 1																					
Peak Hour for Entire Intersection Begins at 07:15																					
07:15	36	1	31	0	68	53	128	0	0	181	0	0	0	0	0	0	343	167	0	510	759
07:30	30	0	39	0	69	48	158	0	0	206	0	0	0	0	0	0	366	209	0	575	850
07:45	28	1	48	0	77	45	180	0	0	225	0	0	0	0	0	0	379	178	0	557	859
08:00	45	0	36	0	81	39	167	0	0	206	0	0	0	0	0	0	282	145	0	427	714
Total Volume	139	2	154	0	295	185	633	0	0	818	0	0	0	0	0	0	1370	699	0	2069	3182
% App. Total	47.1	0.7	52.2	0		22.6	77.4	0	0		0	0	0	0		0	66.2	33.8	0		
PHF	.772	.500	.802	.000	.910	.873	.879	.000	.000	.909	.000	.000	.000	.000	.000	.000	.904	.836	.000	.900	.926



SRF Consulting Group, Inc

Minneapolis, MN 55447

Counted by: Kelcie SRF
 Day of week: Tuesday
 Location: 11
 CSAH 10 @ I-494 W. RAMP

File Name : 3326SRF
 Site Code : 0000034
 Start Date : 4/20/2011
 Page No : 3

Start Time	I-494 W Ramps Southbound					Bass Lake Rd Westbound					I-494 W Ramps Northbound					Bass Lake Rd Eastbound					Int. Total
	Left	Thru	Right	Peds	App. Total	Left	Thru	Right	Peds	App. Total	Left	Thru	Right	Peds	App. Total	Left	Thru	Right	Peds	App. Total	
Peak Hour Analysis From 15:00 to 17:45 - Peak 1 of 1																					
Peak Hour for Entire Intersection Begins at 17:00																					
17:00	38	0	123	0	161	106	302	0	0	408	0	0	0	0	0	0	154	90	0	244	813
17:15	61	0	140	0	201	113	298	0	0	411	0	0	0	0	0	0	153	97	0	250	862
17:30	57	0	151	0	208	65	325	0	0	390	0	0	0	0	0	0	153	97	0	250	848
17:45	41	0	150	0	191	75	301	0	0	376	0	0	0	0	0	0	136	61	0	197	764
Total Volume	197	0	564	0	761	359	1226	0	0	1585	0	0	0	0	0	0	596	345	0	941	3287
% App. Total	25.9	0	74.1	0		22.6	77.4	0	0		0	0	0	0	0	0	63.3	36.7	0		
PHF	.807	.000	.934	.000	.915	.794	.943	.000	.000	.964	.000	.000	.000	.000	.000	.000	.968	.889	.000	.941	.953

