



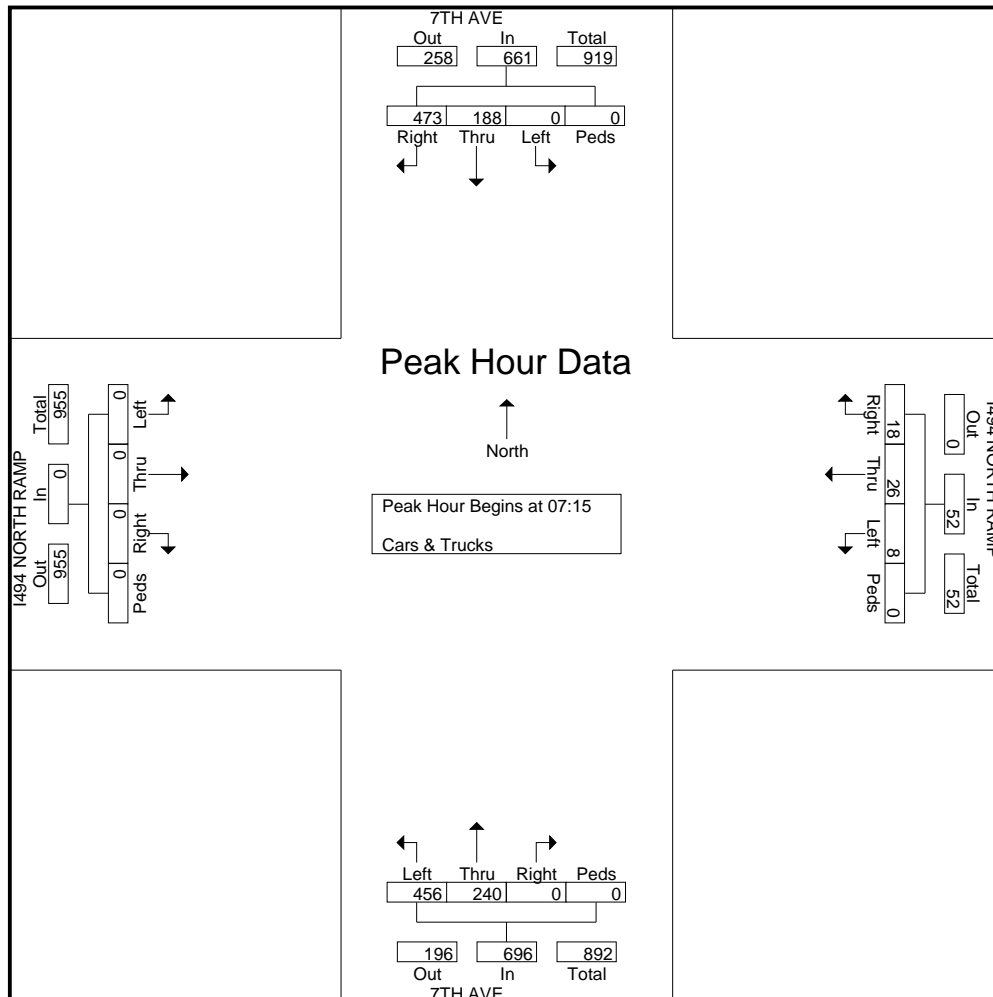
MINNESOTA DEPT OF TRANSPORTATION

TRAFFIC COLLECTION - METRO

Location: I-494 AT 7TH AVE NORTH RAMP
 REF.PT: 65+00.232
 JAMAR#632\DR
 TURN MOVEMENT COUNT

File Name : I 494 AT 7TH AVE NORTH RAMP 2006
 Site Code : 00000000
 Start Date : 10/4/2006
 Page No : 2

Start Time	7TH AVE Southbound					I494 NORTH RAMP Westbound					7TH AVE Northbound					I494 NORTH RAMP Eastbound					Int. Total
	Left	Thru	Right	Peds	App. Total	Left	Thru	Right	Peds	App. Total	Left	Thru	Right	Peds	App. Total	Left	Thru	Right	Peds	App. Total	
Peak Hour Analysis From 06:00 to 08:45 - Peak 1 of 1																					
Peak Hour for Entire Intersection Begins at 07:15																					
07:15	0	47	132	0	179	1	4	8	0	13	143	64	0	0	207	0	0	0	0	0	399
07:30	0	52	122	0	174	2	3	3	0	8	115	49	0	0	164	0	0	0	0	0	346
07:45	0	43	139	0	182	1	8	6	0	15	102	61	0	0	163	0	0	0	0	0	360
08:00	0	46	80	0	126	4	11	1	0	16	96	66	0	0	162	0	0	0	0	0	304
Total Volume	0	188	473	0	661	8	26	18	0	52	456	240	0	0	696	0	0	0	0	0	1409
% App. Total	0	28.4	71.6	0		15.4	50	34.6	0		65.5	34.5	0	0		0	0	0	0		
PHF	.000	.904	.851	.000	.908	.500	.591	.563	.000	.813	.797	.909	.000	.000	.841	.000	.000	.000	.000	.000	.883





MINNESOTA DEPT OF TRANSPORTATION

TRAFFIC COLLECTION - METRO

Location: I-494 AT 7TH AVE NORTH RAMP
 REF.PT: 65+00.232
 JAMAR#632\DR
 TURN MOVEMENT COUNT

File Name : I 494 AT 7TH AVE NORTH RAMP 2006
 Site Code : 00000000
 Start Date : 10/4/2006
 Page No : 3

Start Time	7TH AVE Southbound					I494 NORTH RAMP Westbound					7TH AVE Northbound					I494 NORTH RAMP Eastbound					Int. Total
	Left	Thru	Right	Peds	App. Total	Left	Thru	Right	Peds	App. Total	Left	Thru	Right	Peds	App. Total	Left	Thru	Right	Peds	App. Total	
Peak Hour Analysis From 15:00 to 17:45 - Peak 1 of 1																					
Peak Hour for Entire Intersection Begins at 17:00																					
17:00	0	53	37	0	90	5	18	14	0	37	60	110	0	0	170	0	0	0	0	0	297
17:15	0	63	39	0	102	6	18	10	0	34	68	86	0	0	154	0	0	0	0	0	290
17:30	0	48	40	0	88	7	12	6	0	25	77	83	0	0	160	0	0	0	0	0	273
17:45	0	69	35	0	104	14	18	15	0	47	77	78	0	0	155	0	0	0	0	0	306
Total Volume	0	233	151	0	384	32	66	45	0	143	282	357	0	0	639	0	0	0	0	0	1166
% App. Total	0	60.7	39.3	0		22.4	46.2	31.5	0		44.1	55.9	0	0		0	0	0	0	0	
PHF	.000	.844	.944	.000	.923	.571	.917	.750	.000	.761	.916	.811	.000	.000	.940	.000	.000	.000	.000	.000	.953

