



# MINNESOTA DEPT OF TRANSPORTATION

## TRAFFIC DATA COLLECTION - METRO

TH-13 AT 126TH ST., SAVAGE  
 Ref.Pt.: 090.600  
 JAMAR # 631 /632 RE/DR  
 TURN MOVEMENT COUNT

File Name : TH-13 AT 126TH ST SAVAGE 2008  
 Site Code : 00000000  
 Start Date : 5/28/2008  
 Page No : 1

### Groups Printed- Cars & Trucks

Start Time	TH-13 Southbound				126TH ST Westbound				TH-13 Northbound				126TH ST Eastbound				Int. Total
	Left	Thru	Right	Peds	Left	Thru	Right	Peds	Left	Thru	Right	Peds	Left	Thru	Right	Peds	
06:00	0	48	11	0	3	0	6	0	8	187	6	0	18	3	2	0	292
06:15	1	46	5	0	3	7	1	0	5	241	4	0	17	2	6	0	338
06:30	2	74	11	0	2	1	4	0	5	342	2	0	19	1	2	0	465
06:45	0	106	16	0	8	16	10	0	12	351	6	0	25	2	7	0	559
Total	3	274	43	0	16	24	21	0	30	1121	18	0	79	8	17	0	1654
07:00	1	79	9	0	5	6	13	0	15	386	14	0	31	5	9	0	573
07:15	1	95	6	0	7	7	6	0	11	424	13	0	34	5	12	0	621
07:30	1	83	8	0	4	10	5	0	6	372	19	0	16	5	9	0	538
07:45	1	135	10	0	18	13	4	0	12	326	29	0	24	3	22	0	597
Total	4	392	33	0	34	36	28	0	44	1508	75	0	105	18	52	0	2329
08:00	3	82	7	0	10	7	10	0	11	294	14	0	28	6	5	0	477
08:15	1	111	9	0	4	2	9	0	13	294	10	0	19	4	12	0	488
08:30	1	116	7	0	6	6	4	0	11	277	9	0	14	4	18	0	473
08:45	0	100	12	0	6	5	7	0	8	277	6	0	16	3	26	0	466
Total	5	409	35	0	26	20	30	0	43	1142	39	0	77	17	61	0	1904
*** BREAK ***																	
14:45	5	198	11	0	18	5	9	0	11	117	7	0	22	6	22	0	431
Total	5	198	11	0	18	5	9	0	11	117	7	0	22	6	22	0	431
15:00	3	198	20	0	10	3	11	0	11	126	7	0	19	3	27	0	438
15:15	1	230	11	0	15	6	8	0	11	152	7	0	18	4	22	0	485
15:30	2	213	26	0	13	8	7	0	13	144	4	0	39	4	34	0	507
15:45	3	250	23	0	8	6	6	0	6	160	6	0	26	4	26	0	524
Total	9	891	80	0	46	23	32	0	41	582	24	0	102	15	109	0	1954
16:00	8	246	18	0	16	8	20	0	13	128	5	0	30	4	26	0	522
16:15	5	249	18	0	11	8	19	0	11	134	5	0	50	3	31	0	544
16:30	1	270	19	0	23	7	12	0	11	119	2	0	49	7	52	0	572
16:45	0	256	13	0	23	6	17	0	16	150	6	0	29	6	46	0	568
Total	14	1021	68	0	73	29	68	0	51	531	18	0	158	20	155	0	2206
17:00	2	284	20	0	20	8	12	0	10	160	10	0	53	6	47	0	632
17:15	1	282	24	0	17	5	14	0	18	133	4	0	41	8	37	0	584
17:30	1	320	17	0	16	2	9	0	16	149	4	0	30	4	50	0	618
17:45	1	368	21	0	8	5	3	0	28	140	3	0	39	3	38	0	657
Total	5	1254	82	0	61	20	38	0	72	582	21	0	163	21	172	0	2491
Grand Total	45	4439	352	0	274	157	226	0	292	5583	202	0	706	105	588	0	12969
Apprch %	0.9	91.8	7.3	0	41.7	23.9	34.4	0	4.8	91.9	3.3	0	50.5	7.5	42	0	
Total %	0.3	34.2	2.7	0	2.1	1.2	1.7	0	2.3	43	1.6	0	5.4	0.8	4.5	0	



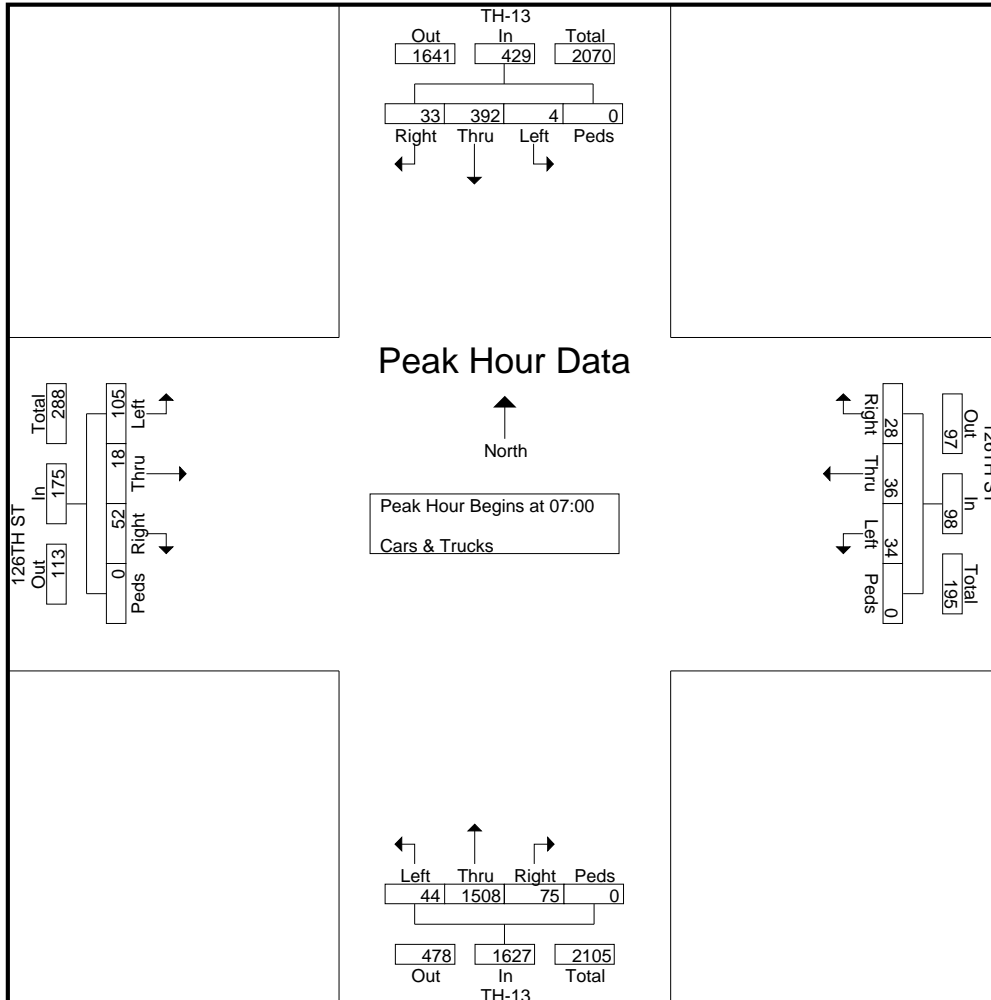
# MINNESOTA DEPT OF TRANSPORTATION

## TRAFFIC DATA COLLECTION - METRO

TH-13 AT 126TH ST., SAVAGE  
 Ref.Pt.: 090.600  
 JAMAR # 631 /632 RE/DR  
 TURN MOVEMENT COUNT

File Name : TH-13 AT 126TH ST SAVAGE 2008  
 Site Code : 00000000  
 Start Date : 5/28/2008  
 Page No : 2

Start Time	TH-13 Southbound					126TH ST Westbound					TH-13 Northbound					126TH ST Eastbound					Int. Total
	Left	Thru	Right	Peds	App. Total	Left	Thru	Right	Peds	App. Total	Left	Thru	Right	Peds	App. Total	Left	Thru	Right	Peds	App. Total	
Peak Hour Analysis From 06:00 to 08:45 - Peak 1 of 1																					
Peak Hour for Entire Intersection Begins at 07:00																					
07:00	1	79	9	0	89	5	6	13	0	24	15	386	14	0	415	31	5	9	0	45	573
07:15	1	95	6	0	102	7	7	6	0	20	11	424	13	0	448	34	5	12	0	51	621
07:30	1	83	8	0	92	4	10	5	0	19	6	372	19	0	397	16	5	9	0	30	538
07:45	1	135	10	0	146	18	13	4	0	35	12	326	29	0	367	24	3	22	0	49	597
Total Volume	4	392	33	0	429	34	36	28	0	98	44	1508	75	0	1627	105	18	52	0	175	2329
% App. Total	0.9	91.4	7.7	0		34.7	36.7	28.6	0		2.7	92.7	4.6	0		60	10.3	29.7	0		
PHF	1.000	.726	.825	.000	.735	.472	.692	.538	.000	.700	.733	.889	.647	.000	.908	.772	.900	.591	.000	.858	.938





# MINNESOTA DEPT OF TRANSPORTATION

## TRAFFIC DATA COLLECTION - METRO

TH-13 AT 126TH ST., SAVAGE  
 Ref.Pt.: 090.600  
 JAMAR # 631 /632 RE/DR  
 TURN MOVEMENT COUNT

File Name : TH-13 AT 126TH ST SAVAGE 2008  
 Site Code : 00000000  
 Start Date : 5/28/2008  
 Page No : 3

Start Time	TH-13 Southbound					126TH ST Westbound					TH-13 Northbound					126TH ST Eastbound					Int. Total
	Left	Thru	Right	Peds	App. Total	Left	Thru	Right	Peds	App. Total	Left	Thru	Right	Peds	App. Total	Left	Thru	Right	Peds	App. Total	
Peak Hour Analysis From 14:45 to 17:45 - Peak 1 of 1																					
Peak Hour for Entire Intersection Begins at 17:00																					
17:00	2	284	20	0	306	20	8	12	0	40	10	160	10	0	180	53	6	47	0	106	632
17:15	1	282	24	0	307	17	5	14	0	36	18	133	4	0	155	41	8	37	0	86	584
17:30	1	320	17	0	338	16	2	9	0	27	16	149	4	0	169	30	4	50	0	84	618
17:45	1	368	21	0	390	8	5	3	0	16	28	140	3	0	171	39	3	38	0	80	657
Total Volume	5	1254	82	0	1341	61	20	38	0	119	72	582	21	0	675	163	21	172	0	356	2491
% App. Total	0.4	93.5	6.1	0		51.3	16.8	31.9	0		10.7	86.2	3.1	0		45.8	5.9	48.3	0		
PHF	.625	.852	.854	.000	.860	.763	.625	.679	.000	.744	.643	.909	.525	.000	.938	.769	.656	.860	.000	.840	.948

