

# TRAFFIC DATA INC.

3268 Xenwood Ave S  
St Louis Park, MN 55416

122nd St E at CSAH-11 BURNSVILLE  
(S of TH-13)  
Data by: Traffic Data Inc.  
TURN MOVEMENT COUNT

File Name : 122nd St E at CSAH-11 2009  
Site Code : 01829133  
Start Date : 5/12/2009  
Page No : 1

### Groups Printed- Unshifted

Start Time	CSAH-11 Southbound				122nd St E Westbound				CSAH-11 Northbound				122nd St E Eastbound				Int. Total
	Left	Thru	Right	Peds	Left	Thru	Right	Peds	Left	Thru	Right	Peds	Left	Thru	Right	Peds	
06:00	0	13	0	0	2	1	6	0	2	46	5	1	1	2	2	0	81
06:15	1	14	1	2	1	1	16	0	4	74	1	0	4	0	0	0	119
06:30	1	26	0	0	5	2	21	0	0	83	3	0	3	2	1	0	147
06:45	4	21	4	0	2	5	14	1	8	144	6	0	2	3	3	0	217
Total	6	74	5	2	10	9	57	1	14	347	15	1	10	7	6	0	564
07:00	5	18	2	0	5	12	25	0	8	169	9	0	11	1	6	0	271
07:15	2	26	2	1	9	8	13	1	5	210	4	1	10	2	5	1	300
07:30	3	17	2	1	3	8	21	0	9	210	7	2	15	9	2	1	310
07:45	2	24	8	0	6	5	16	0	14	190	4	0	8	3	6	0	286
Total	12	85	14	2	23	33	75	1	36	779	24	3	44	15	19	2	1167
08:00	6	24	5	0	8	7	15	0	9	129	10	0	8	2	4	0	227
08:15	2	36	4	1	5	5	18	0	15	93	6	1	15	5	8	1	215
08:30	7	35	7	0	5	6	9	0	8	110	2	1	12	1	5	0	208
08:45	5	32	9	0	7	2	11	0	9	94	4	0	7	4	2	1	187
Total	20	127	25	1	25	20	53	0	41	426	22	2	42	12	19	2	837
*** BREAK ***																	
11:00	7	39	3	0	6	2	8	4	7	48	7	1	9	3	2	0	146
11:15	2	37	11	0	10	6	6	0	7	53	3	1	10	4	6	0	156
11:30	8	51	5	0	8	3	6	0	6	47	5	2	6	1	6	1	155
11:45	8	50	2	2	3	4	7	0	3	55	6	0	3	6	5	0	154
Total	25	177	21	2	27	15	27	4	23	203	21	4	28	14	19	1	611
12:00	11	37	6	0	7	2	11	0	4	54	8	0	5	6	6	0	157
12:15	12	43	6	0	3	6	10	0	4	52	3	0	7	3	3	0	152
12:30	4	47	6	1	7	3	13	0	5	45	8	0	9	10	2	0	160
12:45	7	29	7	0	8	7	13	0	6	51	8	1	8	5	4	0	154
Total	34	156	25	1	25	18	47	0	19	202	27	1	29	24	15	0	623
*** BREAK ***																	
15:00	5	80	7	0	12	5	4	3	1	58	9	0	13	7	6	0	210
15:15	16	88	4	0	8	7	14	2	6	55	8	1	6	7	8	0	230
15:30	16	88	9	1	7	4	12	1	7	50	6	0	12	8	8	3	232
15:45	9	97	5	1	9	8	9	0	7	76	12	3	6	9	4	0	255
Total	46	353	25	2	36	24	39	6	21	239	35	4	37	31	26	3	927
16:00	12	127	6	0	6	6	9	4	5	50	15	1	10	12	14	2	279
16:15	11	109	12	0	9	14	12	0	4	84	5	0	9	15	5	1	290
16:30	16	135	5	1	8	6	10	2	5	70	12	1	8	6	9	0	294
16:45	17	114	9	1	16	15	10	1	6	54	13	0	11	10	6	1	284
Total	56	485	32	2	39	41	41	7	20	258	45	2	38	43	34	4	1147
17:00	17	174	12	1	15	17	17	1	11	66	8	0	16	11	10	1	377
17:15	15	154	11	0	8	9	9	0	3	76	13	0	13	12	12	0	335
17:30	20	120	12	3	14	9	9	2	8	60	9	1	11	12	11	1	302
17:45	25	113	19	0	17	11	13	5	15	61	9	1	9	13	11	0	322
Total	77	561	54	4	54	46	48	8	37	263	39	2	49	48	44	2	1336
Grand Total	276	2018	201	16	239	206	387	27	211	2717	228	19	277	194	182	14	7212
Apprch %	11	80.4	8	0.6	27.8	24	45.1	3.1	6.6	85.6	7.2	0.6	41.5	29.1	27.3	2.1	
Total %	3.8	28	2.8	0.2	3.3	2.9	5.4	0.4	2.9	37.7	3.2	0.3	3.8	2.7	2.5	0.2	



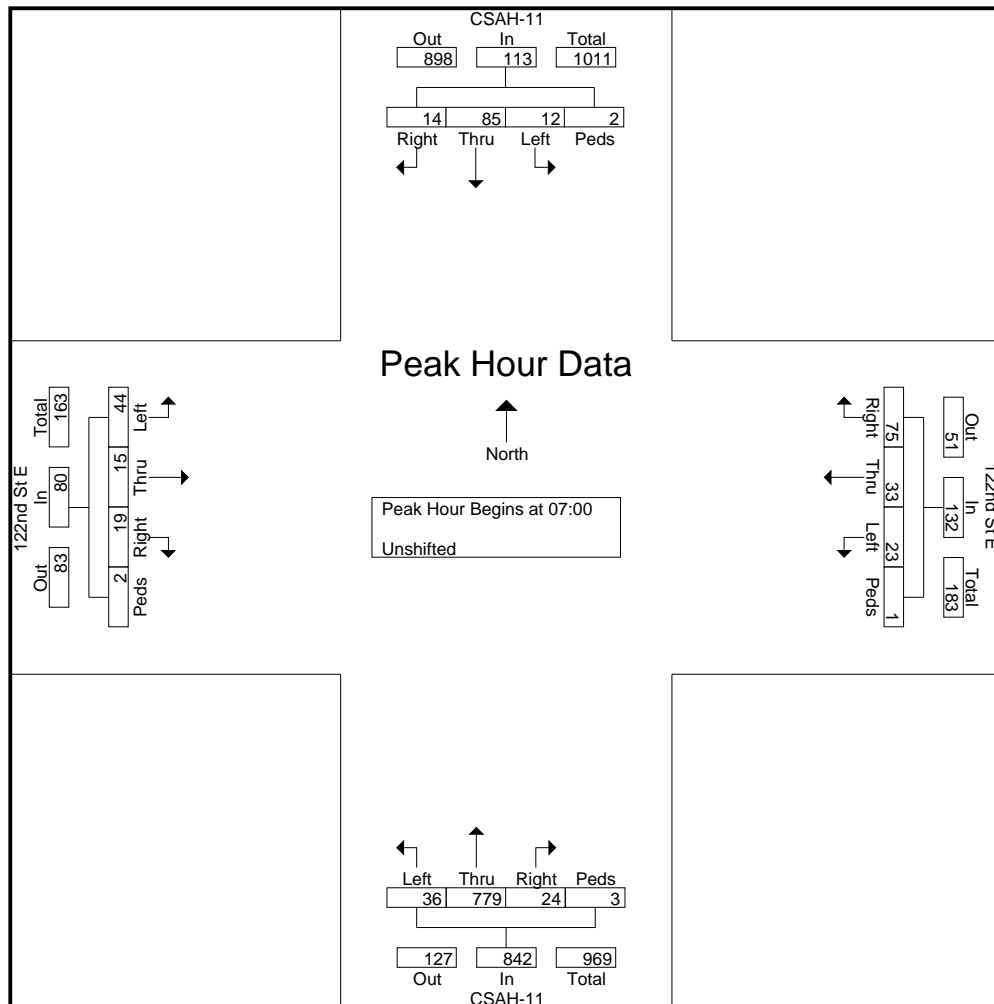
# TRAFFIC DATA INC.

3268 Xenwood Ave S  
St Louis Park, MN 55416

122nd St E at CSAH-11 BURNSVILLE  
(S of TH-13)  
Data by: Traffic Data Inc.  
TURN MOVEMENT COUNT

File Name : 122nd St E at CSAH-11 2009  
Site Code : 01829133  
Start Date : 5/12/2009  
Page No : 3

Start Time	CSAH-11 Southbound					122nd St E Westbound					CSAH-11 Northbound					122nd St E Eastbound					Int. Total
	Left	Thru	Right	Peds	App. Total	Left	Thru	Right	Peds	App. Total	Left	Thru	Right	Peds	App. Total	Left	Thru	Right	Peds	App. Total	
Peak Hour Analysis From 06:00 to 08:45 - Peak 1 of 1																					
Peak Hour for Entire Intersection Begins at 07:00																					
07:00	5	18	2	0	25	5	12	25	0	42	8	169	9	0	186	11	1	6	0	18	271
07:15	2	26	2	1	31	9	8	13	1	31	5	210	4	1	220	10	2	5	1	18	300
07:30	3	17	2	1	23	3	8	21	0	32	9	210	7	2	228	15	9	2	1	27	310
07:45	2	24	8	0	34	6	5	16	0	27	14	190	4	0	208	8	3	6	0	17	286
Total Volume	12	85	14	2	113	23	33	75	1	132	36	779	24	3	842	44	15	19	2	80	1167
% App. Total	10.6	75.2	12.4	1.8		17.4	25	56.8	0.8		4.3	92.5	2.9	0.4		55	18.8	23.8	2.5		
PHF	.600	.817	.438	.500	.831	.639	.688	.750	.250	.786	.643	.927	.667	.375	.923	.733	.417	.792	.500	.741	.941



# TRAFFIC DATA INC.

3268 Xenwood Ave S  
St Louis Park, MN 55416

122nd St E at CSAH-11 BURNSVILLE  
(S of TH-13)  
Data by: Traffic Data Inc.  
TURN MOVEMENT COUNT

File Name : 122nd St E at CSAH-11 2009  
Site Code : 01829133  
Start Date : 5/12/2009  
Page No : 4

Start Time	CSAH-11 Southbound					122nd St E Westbound					CSAH-11 Northbound					122nd St E Eastbound					Int. Total
	Left	Thru	Right	Peds	App. Total	Left	Thru	Right	Peds	App. Total	Left	Thru	Right	Peds	App. Total	Left	Thru	Right	Peds	App. Total	
Peak Hour Analysis From 15:00 to 17:45 - Peak 1 of 1																					
Peak Hour for Entire Intersection Begins at 17:00																					
17:00	17	174	12	1	204	15	17	17	1	50	11	66	8	0	85	16	11	10	1	38	377
17:15	15	154	11	0	180	8	9	9	0	26	3	76	13	0	92	13	12	12	0	37	335
17:30	20	120	12	3	155	14	9	9	2	34	8	60	9	1	78	11	12	11	1	35	302
17:45	25	113	19	0	157	17	11	13	5	46	15	61	9	1	86	9	13	11	0	33	322
Total Volume	77	561	54	4	696	54	46	48	8	156	37	263	39	2	341	49	48	44	2	143	1336
% App. Total	11.1	80.6	7.8	0.6		34.6	29.5	30.8	5.1		10.9	77.1	11.4	0.6		34.3	33.6	30.8	1.4		
PHF	.770	.806	.711	.333	.853	.794	.676	.706	.400	.780	.617	.865	.750	.500	.927	.766	.923	.917	.500	.941	.886

