

TRAFFIC DATA INC.

3268 Xenwood Ave S
St Louis Park, MN 55416

TH-13 at CSAH-11 / W River Hills Drive
Ref.Pt.: 099.641 BURNSVILLE
data by: Traffic Data Inc
TURN MOVEMENT COUNT

File Name : TH-13 at CSAH-11 River Hills Dr 2009
Site Code : 01829132
Start Date : 5/7/2009
Page No : 1

Groups Printed- Unshifted

Start Time	W River Hills Drive Southbound				TH-13 Westbound				CSAH-11 Northbound				TH-13 Eastbound				Int. Total
	Left	Thru	Right	Peds	Left	Thru	Right	Peds	Left	Thru	Right	Peds	Left	Thru	Right	Peds	
06:00	7	1	6	0	5	83	0	0	27	18	15	0	3	129	5	0	299
06:15	1	8	8	0	3	108	0	0	42	27	25	0	5	169	12	0	408
06:30	3	10	9	0	11	144	1	0	60	49	44	0	3	228	9	0	571
06:45	5	12	14	1	14	180	3	0	75	47	38	0	5	252	11	1	658
Total	16	31	37	1	33	515	4	0	204	141	122	0	16	778	37	1	1936
07:00	1	16	9	0	13	227	1	1	75	78	53	0	5	310	10	0	799
07:15	2	12	13	0	18	201	0	0	96	93	65	0	7	350	11	0	868
07:30	3	17	8	0	12	247	1	3	88	71	101	0	14	429	15	1	1010
07:45	6	22	13	2	19	235	0	1	74	95	53	0	10	369	11	1	911
Total	12	67	43	2	62	910	2	5	333	337	272	0	36	1458	47	2	3588
08:00	2	13	9	1	24	189	3	2	53	45	55	0	8	313	15	0	732
08:15	1	14	11	0	26	211	1	0	63	43	54	0	4	337	16	0	781
08:30	2	17	15	0	24	210	3	1	48	41	33	0	9	274	12	0	689
08:45	3	14	18	0	25	205	0	0	42	41	32	0	13	253	15	1	662
Total	8	58	53	1	99	815	7	3	206	170	174	0	34	1177	58	1	2864
*** BREAK ***																	
11:00	1	24	16	1	12	168	3	1	41	28	17	0	15	134	20	1	482
11:15	1	17	7	1	14	162	1	2	22	29	29	0	16	189	20	0	510
11:30	2	31	17	2	28	144	2	1	23	28	25	0	12	150	26	0	491
11:45	2	27	13	0	12	176	2	0	26	27	30	0	16	183	22	0	536
Total	6	99	53	4	66	650	8	4	112	112	101	0	59	656	88	1	2019
12:00	1	22	20	1	33	186	1	5	31	25	21	0	19	167	26	0	558
12:15	0	28	13	1	18	172	4	1	34	22	23	1	16	195	21	0	549
12:30	4	26	16	2	18	168	4	4	26	28	24	0	23	175	24	1	543
12:45	1	21	12	0	22	156	0	1	23	18	25	0	16	152	28	0	475
Total	6	97	61	4	91	682	9	11	114	93	93	1	74	689	99	1	2125
*** BREAK ***																	
15:00	1	45	17	3	31	281	8	1	29	19	31	0	17	251	42	0	776
15:15	2	34	20	0	27	244	4	1	38	40	26	0	19	219	41	0	715
15:30	11	37	19	1	34	279	2	0	25	35	24	0	15	215	36	1	734
15:45	0	32	16	2	50	351	5	1	29	27	35	0	21	243	44	2	858
Total	14	148	72	6	142	1155	19	3	121	121	116	0	72	928	163	3	3083
16:00	3	43	18	0	46	328	1	7	29	39	30	0	22	266	35	0	867
16:15	2	50	17	0	54	347	6	1	41	46	25	1	26	262	36	0	914
16:30	7	46	19	1	54	350	7	2	37	37	29	1	25	306	48	0	969
16:45	1	51	14	2	62	440	3	2	35	40	34	0	17	290	50	0	1041
Total	13	190	68	3	216	1465	17	12	142	162	118	2	90	1124	169	0	3791
17:00	6	55	9	0	49	434	7	3	40	39	37	0	30	229	49	0	987
17:15	7	56	20	0	66	427	5	1	43	42	34	0	39	206	36	1	983
17:30	6	40	15	3	53	376	4	2	38	32	45	0	33	265	41	0	953
17:45	0	37	23	1	51	324	6	1	35	47	44	0	26	327	39	1	962
Total	19	188	67	4	219	1561	22	7	156	160	160	0	128	1027	165	2	3885
Grand Total	94	878	454	25	928	7753	88	45	1388	1296	1156	3	509	7837	826	11	23291
Apprch %	6.5	60.5	31.3	1.7	10.5	88	1	0.5	36.1	33.7	30.1	0.1	5.5	85.3	9	0.1	
Total %	0.4	3.8	1.9	0.1	4	33.3	0.4	0.2	6	5.6	5	0	2.2	33.6	3.5	0	

TRAFFIC DATA INC.

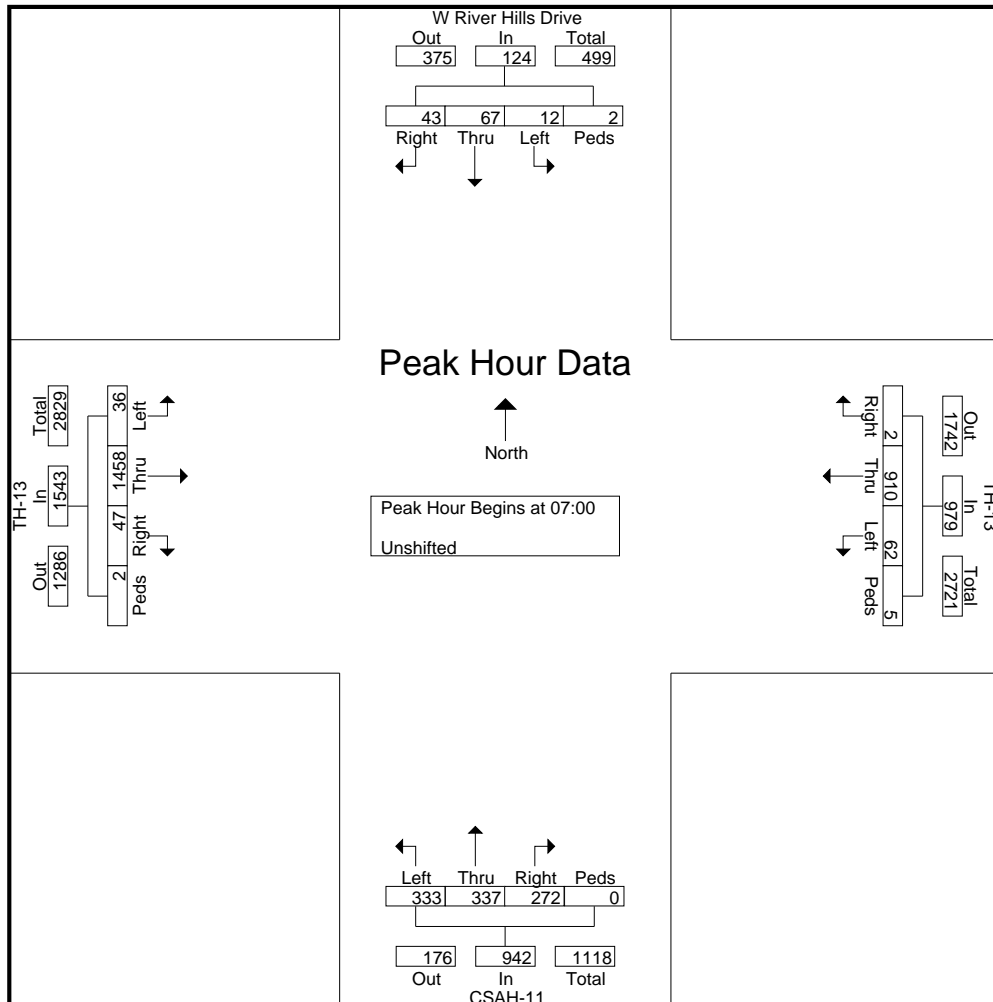
3268 Xenwood Ave S
St Louis Park, MN 55416

TH-13 at CSAH-11 / W River Hills Drive
Ref.Pt.: 099.641 BURNSVILLE
data by: Traffic Data Inc
TURN MOVEMENT COUNT

File Name : TH-13 at CSAH-11 River Hills Dr 2009
Site Code : 01829132
Start Date : 5/7/2009
Page No : 2

Start Time	W River Hills Drive Southbound					TH-13 Westbound					CSAH-11 Northbound					TH-13 Eastbound					Int. Total
	Left	Thru	Right	Peds	App. Total	Left	Thru	Right	Peds	App. Total	Left	Thru	Right	Peds	App. Total	Left	Thru	Right	Peds	App. Total	
07:00	1	16	9	0	26	13	227	1	1	242	75	78	53	0	206	5	310	10	0	325	799
07:15	2	12	13	0	27	18	201	0	0	219	96	93	65	0	254	7	350	11	0	368	868
07:30	3	17	8	0	28	12	247	1	3	263	88	71	101	0	260	14	429	15	1	459	1010
07:45	6	22	13	2	43	19	235	0	1	255	74	95	53	0	222	10	369	11	1	391	911
Total Volume	12	67	43	2	124	62	910	2	5	979	333	337	272	0	942	36	1458	47	2	1543	3588
% App. Total	9.7	54	34.7	1.6		6.3	93	0.2	0.5		35.4	35.8	28.9	0		2.3	94.5	3	0.1		
PHF	.500	.761	.827	.250	.721	.816	.921	.500	.417	.931	.867	.887	.673	.000	.906	.643	.850	.783	.500	.840	.888

Peak Hour Analysis From 06:00 to 08:45 - Peak 1 of 1
Peak Hour for Entire Intersection Begins at 07:00



TRAFFIC DATA INC.

3268 Xenwood Ave S
St Louis Park, MN 55416

TH-13 at CSAH-11 / W River Hills Drive
Ref.Pt.: 099.641 BURNSVILLE
data by: Traffic Data Inc
TURN MOVEMENT COUNT

File Name : TH-13 at CSAH-11 River Hills Dr 2009
Site Code : 01829132
Start Date : 5/7/2009
Page No : 3

Start Time	W River Hills Drive Southbound					TH-13 Westbound					CSAH-11 Northbound					TH-13 Eastbound					Int. Total
	Left	Thru	Right	Peds	App. Total	Left	Thru	Right	Peds	App. Total	Left	Thru	Right	Peds	App. Total	Left	Thru	Right	Peds	App. Total	

Peak Hour Analysis From 15:00 to 17:45 - Peak 1 of 1
Peak Hour for Entire Intersection Begins at 16:30

16:30	7	46	19	1	73	54	350	7	2	413	37	37	29	1	104	25	306	48	0	379	969
16:45	1	51	14	2	68	62	440	3	2	507	35	40	34	0	109	17	290	50	0	357	1041
17:00	6	55	9	0	70	49	434	7	3	493	40	39	37	0	116	30	229	49	0	308	987
17:15	7	56	20	0	83	66	427	5	1	499	43	42	34	0	119	39	206	36	1	282	983
Total Volume	21	208	62	3	294	231	1651	22	8	1912	155	158	134	1	448	111	1031	183	1	1326	3980
% App. Total	7.1	70.7	21.1	1		12.1	86.3	1.2	0.4		34.6	35.3	29.9	0.2		8.4	77.8	13.8	0.1		
PHF	.750	.929	.775	.375	.886	.875	.938	.786	.667	.943	.901	.940	.905	.250	.941	.712	.842	.915	.250	.875	.956

