

Alliant Engineering, Inc

233 Park Ave Suite 300
 Minneapolis, MN 55415

--TRAFFIC DATA --

CSAH-83 at 12th Avenue
 Ref.Pt.: 113.112
 data by : Alliant Inc.
 TURN MOVEMENT COUNT

File Name : 345_CSAH 83 & 12th Ave
 Site Code : 345
 Start Date : 11/8/2017
 Page No : 1

Groups Printed- Vehicles - Trucks

Start Time	CSAH 83 From North				12th Ave From East				CSAH 83 From South				12th Ave From West				Int. Total
	Other	Left	Thru	Rght	Other	Left	Thru	Rght	Other	Left	Thru	Rght	Other	Left	Thru	Rght	
06:00 AM	0	9	19	1	0	22	5	1	1	24	72	51	0	7	13	9	234
06:15 AM	0	9	17	3	0	13	6	1	0	29	109	58	0	4	13	12	274
06:30 AM	0	4	14	2	0	19	3	3	1	23	115	55	0	23	12	8	282
06:45 AM	0	5	17	3	0	7	2	5	0	44	182	93	0	12	16	6	392
Total	0	27	67	9	0	61	16	10	2	120	478	257	0	46	54	35	1182
07:00 AM	0	8	31	6	0	13	2	6	0	36	136	92	0	4	19	12	365
07:15 AM	0	9	35	7	0	15	10	7	0	27	173	119	0	16	18	9	445
07:30 AM	0	16	25	2	0	18	6	2	0	34	192	132	0	20	20	6	473
07:45 AM	1	14	35	8	0	21	4	3	0	65	233	167	0	13	24	5	593
Total	1	47	126	23	0	67	22	18	0	162	734	510	0	53	81	32	1876
08:00 AM	0	9	34	7	0	21	1	4	1	60	152	111	0	11	19	4	434
08:15 AM	0	6	26	7	0	20	7	4	0	63	130	92	0	7	19	9	390
08:30 AM	0	7	33	5	0	19	8	8	0	47	88	60	0	11	12	9	307
08:45 AM	0	10	41	3	0	23	7	5	3	69	77	59	0	12	17	6	332
Total	0	32	134	22	0	83	23	21	4	239	447	322	0	41	67	28	1463
09:00 AM	0	8	43	4	0	14	8	4	1	47	58	52	0	13	17	4	273
09:15 AM	0	14	27	9	0	22	15	2	1	53	62	38	0	13	15	11	282
*** BREAK ***																	
Total	0	22	70	13	0	36	23	6	2	100	120	90	0	26	32	15	555
*** BREAK ***																	
10:30 AM	0	14	45	2	0	40	18	4	1	38	46	55	0	4	3	23	293
10:45 AM	0	17	43	3	0	57	11	6	1	53	43	58	0	7	9	14	322
Total	0	31	88	5	0	97	29	10	2	91	89	113	0	11	12	37	615
11:00 AM	0	13	77	10	0	59	19	10	1	37	46	54	0	7	7	14	354
11:15 AM	1	17	46	7	0	63	17	9	2	35	51	65	0	11	19	28	371
11:30 AM	0	26	67	7	0	85	31	14	0	35	48	55	0	10	18	17	413
11:45 AM	0	18	52	15	0	89	40	11	0	48	58	49	0	16	19	13	428
Total	1	74	242	39	0	296	107	44	3	155	203	223	0	44	63	72	1566
12:00 PM	0	16	91	11	0	90	32	14	0	33	58	45	0	14	17	29	450
12:15 PM	0	19	73	8	0	71	31	17	2	30	51	54	0	14	32	16	418
12:30 PM	0	25	53	8	0	60	25	16	1	63	83	79	0	14	27	15	469
12:45 PM	0	20	43	6	0	61	23	17	1	58	59	91	0	13	27	22	441
Total	0	80	260	33	0	282	111	64	4	184	251	269	0	55	103	82	1778
01:00 PM	0	15	55	4	0	49	25	16	1	55	73	44	0	18	34	18	407
01:15 PM	2	13	61	2	0	62	14	9	1	44	76	81	0	9	21	19	414
*** BREAK ***																	
Total	2	28	116	6	0	111	39	25	2	99	149	125	0	27	55	37	821
*** BREAK ***																	
02:30 PM	0	15	74	5	0	84	13	16	0	38	61	64	0	9	14	19	412
02:45 PM	0	16	60	8	0	59	16	10	1	38	58	53	0	7	10	35	371
Total	0	31	134	13	0	143	29	26	1	76	119	117	0	16	24	54	783
03:00 PM	0	18	132	3	0	106	38	13	0	33	61	49	0	6	6	37	502
03:15 PM	0	5	80	7	0	75	25	8	2	37	61	51	0	7	5	34	397
03:30 PM	0	15	98	8	0	96	30	13	1	35	61	43	0	13	14	30	457
03:45 PM	1	19	84	12	0	76	23	8	0	31	58	55	0	5	11	26	409
Total	1	57	394	30	0	353	116	42	3	136	241	198	0	31	36	127	1765
04:00 PM	0	10	123	6	0	116	31	18	6	43	50	52	0	6	13	27	501
04:15 PM	0	10	121	4	0	96	23	25	0	41	46	50	0	6	9	32	463
04:30 PM	0	14	141	5	0	126	41	17	2	34	58	41	0	10	8	29	526
04:45 PM	0	9	120	3	0	102	27	11	2	33	59	35	0	7	17	46	471
Total	0	43	505	18	0	440	122	71	10	151	213	178	0	29	47	134	1961

Alliant Engineering, Inc

233 Park Ave Suite 300

Minneapolis, MN 55415

--TRAFFIC DATA --

CSAH-83 at 12th Avenue
 Ref.Pt.: 113.112
 data by : Alliant Inc.
 TURN MOVEMENT COUNT

File Name : 345_CSAH 83 & 12th Ave
 Site Code : 345
 Start Date : 11/8/2017
 Page No : 2

Groups Printed- Vehicles - Trucks

Start Time	CSAH 83 From North				12th Ave From East				CSAH 83 From South				12th Ave From West				Int. Total
	Other	Left	Thru	Rght	Other	Left	Thru	Rght	Other	Left	Thru	Rght	Other	Left	Thru	Rght	
05:00 PM	0	14	157	3	0	128	32	21	0	32	33	39	0	6	21	50	536
05:15 PM	0	12	132	8	0	118	13	12	2	45	49	36	0	6	17	37	487
05:30 PM	0	15	100	3	0	87	20	11	0	56	31	23	0	1	15	29	391
05:45 PM	0	10	61	3	0	71	28	6	0	60	34	26	0	4	11	21	335
Total	0	51	450	17	0	404	93	50	2	193	147	124	0	17	64	137	1749
Grand Total	5	523	2586	228	0	2373	730	387	35	1706	3191	2526	0	396	638	790	16114
Apprch %	0.1	15.6	77.4	6.8	0	68	20.9	11.1	0.5	22.9	42.8	33.9	0	21.7	35	43.3	
Total %	0	3.2	16	1.4	0	14.7	4.5	2.4	0.2	10.6	19.8	15.7	0	2.5	4	4.9	
Vehicles	5	483	2293	204	0	2236	713	346	34	1671	2853	2376	0	371	616	777	14978
% Vehicles	100	92.4	88.7	89.5	0	94.2	97.7	89.4	97.1	97.9	89.4	94.1	0	93.7	96.6	98.4	93
Trucks	0	40	293	24	0	137	17	41	1	35	338	150	0	25	22	13	1136
% Trucks	0	7.6	11.3	10.5	0	5.8	2.3	10.6	2.9	2.1	10.6	5.9	0	6.3	3.4	1.6	7

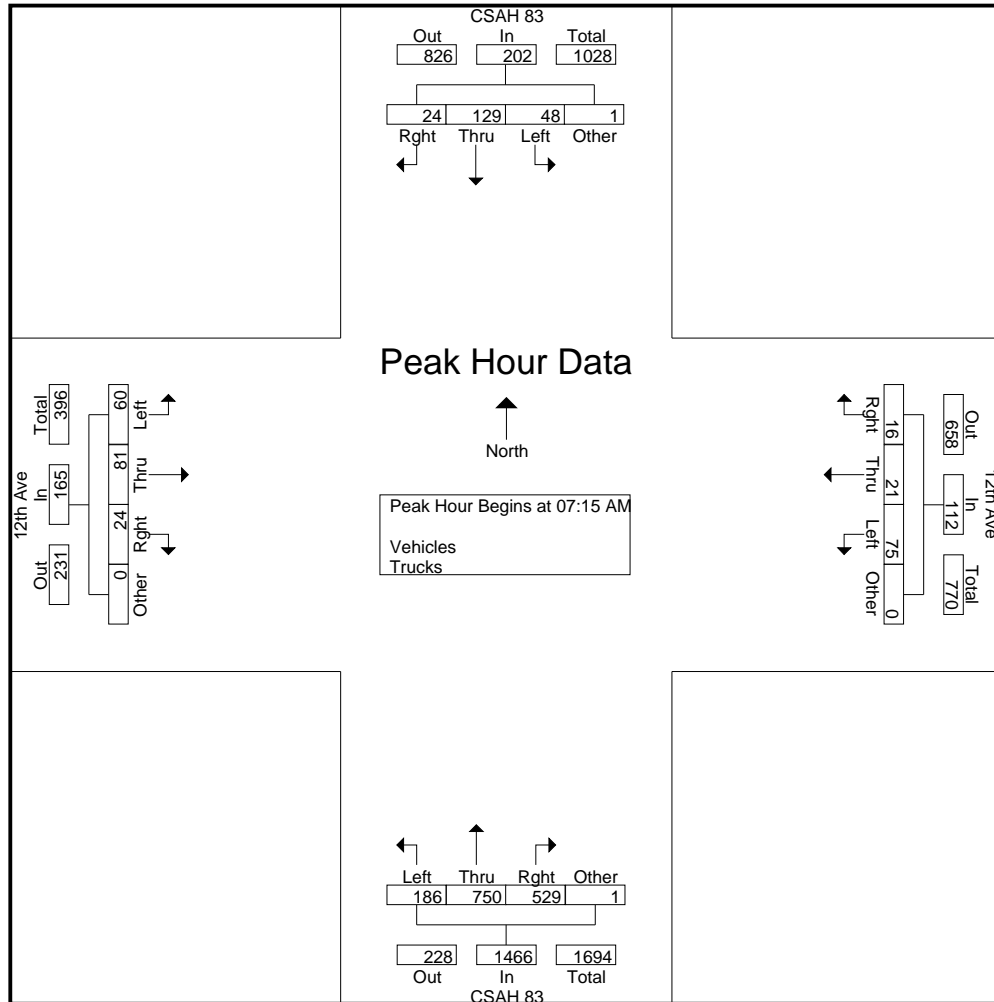
Alliant Engineering, Inc

233 Park Ave Suite 300
 Minneapolis, MN 55415
 --TRAFFIC DATA --

CSAH-83 at 12th Avenue
 Ref.Pt.: 113.112
 data by : Alliant Inc.
 TURN MOVEMENT COUNT

File Name : 345_CSAH 83 & 12th Ave
 Site Code : 345
 Start Date : 11/8/2017
 Page No : 3

Start Time	CSAH 83 From North					12th Ave From East					CSAH 83 From South					12th Ave From West					Int. Total
	Other	Left	Thru	Right	App. Total	Other	Left	Thru	Right	App. Total	Other	Left	Thru	Right	App. Total	Other	Left	Thru	Right	App. Total	
Peak Hour Analysis From 06:00 AM to 11:45 AM - Peak 1 of 1																					
Peak Hour for Entire Intersection Begins at 07:15 AM																					
07:15 AM	0	9	35	7	51	0	15	10	7	32	0	27	173	119	319	0	16	18	9	43	445
07:30 AM	0	16	25	2	43	0	18	6	2	26	0	34	192	132	358	0	20	20	6	46	473
07:45 AM	1	14	35	8	58	0	21	4	3	28	0	65	233	167	465	0	13	24	5	42	593
08:00 AM	0	9	34	7	50	0	21	1	4	26	1	60	152	111	324	0	11	19	4	34	434
Total Volume	1	48	129	24	202	0	75	21	16	112	1	186	750	529	1466	0	60	81	24	165	1945
% App. Total	0.5	23.8	63.9	11.9		0	67	18.8	14.3		0.1	12.7	51.2	36.1		0	36.4	49.1	14.5		
PHF	.250	.750	.921	.750	.871	.000	.893	.525	.571	.875	.250	.715	.805	.792	.788	.000	.750	.844	.667	.897	.820



Alliant Engineering, Inc

233 Park Ave Suite 300
 Minneapolis, MN 55415
 --TRAFFIC DATA --

CSAH-83 at 12th Avenue
 Ref.Pt.: 113.112
 data by : Alliant Inc.
 TURN MOVEMENT COUNT

File Name : 345_CSAH 83 & 12th Ave
 Site Code : 345
 Start Date : 11/8/2017
 Page No : 4

Start Time	CSAH 83 From North					12th Ave From East					CSAH 83 From South					12th Ave From West					Int. Total
	Other	Left	Thru	Rght	App. Total	Other	Left	Thru	Rght	App. Total	Other	Left	Thru	Rght	App. Total	Other	Left	Thru	Rght	App. Total	
Peak Hour Analysis From 12:00 PM to 05:45 PM - Peak 1 of 1																					
Peak Hour for Entire Intersection Begins at 04:30 PM																					
04:30 PM	0	14	141	5	160	0	126	41	17	184	2	34	58	41	135	0	10	8	29	47	526
04:45 PM	0	9	120	3	132	0	102	27	11	140	2	33	59	35	129	0	7	17	46	70	471
05:00 PM	0	14	157	3	174	0	128	32	21	181	0	32	33	39	104	0	6	21	50	77	536
05:15 PM	0	12	132	8	152	0	118	13	12	143	2	45	49	36	132	0	6	17	37	60	487
Total Volume	0	49	550	19	618	0	474	113	61	648	6	144	199	151	500	0	29	63	162	254	2020
% App. Total	0	7.9	89	3.1		0	73.1	17.4	9.4		1.2	28.8	39.8	30.2		0	11.4	24.8	63.8		
PHF	.000	.875	.876	.594	.888	.000	.926	.689	.726	.880	.750	.800	.843	.921	.926	.000	.725	.750	.810	.825	.942

