



MINNESOTA DEPT OF TRANSPORTATION

TRAFFIC DATA COLLECTION - METRO

Location: 114th AV N @ AQUILA DR 2006
 REF. PT.:
 Jamar# 1358/MAR
 TURN MOVEMENT COUNT

File Name : 114th AVE N @ AQUILA DR 2006
 Site Code : 00000000
 Start Date : 5/10/2006
 Page No : 1

Groups Printed- Cars & Trucks

Start Time	AQUILA DR Southbound					114th AVE N Westbound					AQUILA DR Northbound					114th AVE N Eastbound					Int. Total
	LEFT	THRU	RIGHT	Peds	App. Total	LEFT	THRU	RIGHT	Peds	App. Total	LEFT	THRU	RIGHT	Peds	App. Total	LEFT	THRU	RIGHT	Peds	App. Total	
06:00	1	0	4	0	5	0	31	3	0	34	0	0	1	0	1	6	8	2	0	16	56
06:15	3	0	6	0	9	0	25	1	0	26	2	0	0	0	2	11	14	0	0	25	62
06:30	4	0	8	1	13	4	45	7	0	56	1	0	1	0	2	9	12	1	0	22	93
06:45	5	0	14	0	19	1	38	11	0	50	1	0	3	0	4	14	24	3	0	41	114
Total	13	0	32	1	46	5	139	22	0	166	4	0	5	0	9	40	58	6	0	104	325
07:00	8	0	11	0	19	1	30	9	0	40	2	1	1	0	4	14	30	3	0	47	110
07:15	7	1	13	0	21	5	38	5	0	48	4	0	1	0	5	14	52	0	0	66	140
07:30	8	0	9	0	17	2	38	6	0	46	2	1	2	0	5	18	44	1	0	63	131
07:45	1	1	17	0	19	4	40	10	0	54	2	0	5	0	7	17	29	7	0	53	133
Total	24	2	50	0	76	12	146	30	0	188	10	2	9	0	21	63	155	11	0	229	514
08:00	10	1	15	1	27	5	32	8	0	45	7	0	1	0	8	28	23	4	0	55	135
08:15	7	0	16	0	23	4	19	3	0	26	4	1	2	0	7	12	22	4	0	38	94
08:30	2	1	9	0	12	7	25	2	0	34	7	0	3	0	10	22	17	4	0	43	99
08:45	4	1	23	0	28	5	33	8	0	46	5	1	5	0	11	25	16	9	0	50	135
Total	23	3	63	1	90	21	109	21	0	151	23	2	11	0	36	87	78	21	0	186	463
11:00	15	3	27	0	45	1	26	12	0	39	14	1	7	0	22	56	23	18	0	97	203
11:15	12	5	34	0	51	9	21	13	0	43	12	1	8	0	21	46	27	12	0	85	200
11:30	15	2	32	0	49	7	31	19	0	57	18	4	6	0	28	63	22	16	0	101	235
11:45	18	3	39	0	60	11	21	10	0	42	37	3	11	0	51	70	16	11	0	97	250
Total	60	13	132	0	205	28	99	54	0	181	81	9	32	0	122	235	88	57	0	380	888
12:00	15	7	36	0	58	9	28	13	0	50	20	2	14	1	37	70	25	6	0	101	246
12:15	21	6	41	0	68	11	23	19	0	53	23	2	8	0	33	55	28	15	0	98	252
12:30	13	4	40	1	58	8	20	15	0	43	32	1	14	0	47	61	25	15	0	101	249
12:45	16	1	46	0	63	5	26	13	0	44	16	3	9	0	28	38	28	10	0	76	211
Total	65	18	163	1	247	33	97	60	0	190	91	8	45	1	145	224	106	46	0	376	958
15:00	19	3	40	0	62	7	31	19	0	57	13	3	9	0	25	66	47	11	0	124	268
15:15	32	3	44	0	79	7	43	26	0	76	14	3	10	0	27	52	50	5	0	107	289
15:30	22	1	48	0	71	9	12	26	0	47	22	1	8	0	31	61	45	8	0	114	263
15:45	22	3	50	0	75	14	35	36	0	85	11	4	15	1	31	77	57	9	0	143	334
Total	95	10	182	0	287	37	121	107	0	265	60	11	42	1	114	256	199	33	0	488	1154
16:00	20	5	60	0	85	10	40	24	4	78	14	5	10	0	29	80	61	13	0	154	346
16:15	32	5	57	1	95	8	39	33	0	80	14	5	15	0	34	82	81	7	3	173	382
16:30	40	4	48	3	95	10	53	23	0	86	18	2	12	2	34	70	64	14	0	148	363
16:45	28	2	56	5	91	21	44	36	2	103	13	7	13	0	33	83	61	18	1	163	390
Total	120	16	221	9	366	49	176	116	6	347	59	19	50	2	130	315	267	52	4	638	1481
17:00	37	2	58	0	97	18	46	25	4	93	24	7	16	3	50	89	54	19	4	166	406
17:15	29	3	56	0	88	22	58	30	0	110	19	8	20	0	47	83	67	5	1	156	401
17:30	33	4	60	2	99	16	50	48	0	114	10	4	20	3	37	99	75	19	2	195	445
17:45	26	7	63	0	96	15	46	29	1	91	26	8	19	0	53	89	82	8	0	179	419
Total	125	16	237	2	380	71	200	132	5	408	79	27	75	6	187	360	278	51	7	696	1671
Grand Total	525	78	1080	14	1697	256	1087	542	11	1896	407	78	269	10	764	1580	1229	277	11	3097	7454
Apprch %	30.9	4.6	63.6	0.8		13.5	57.3	28.6	0.6		53.3	10.2	35.2	1.3		51	39.7	8.9	0.4		
Total %	7	1	14.5	0.2	22.8	3.4	14.6	7.3	0.1	25.4	5.5	1	3.6	0.1	10.2	21.2	16.5	3.7	0.1	41.5	

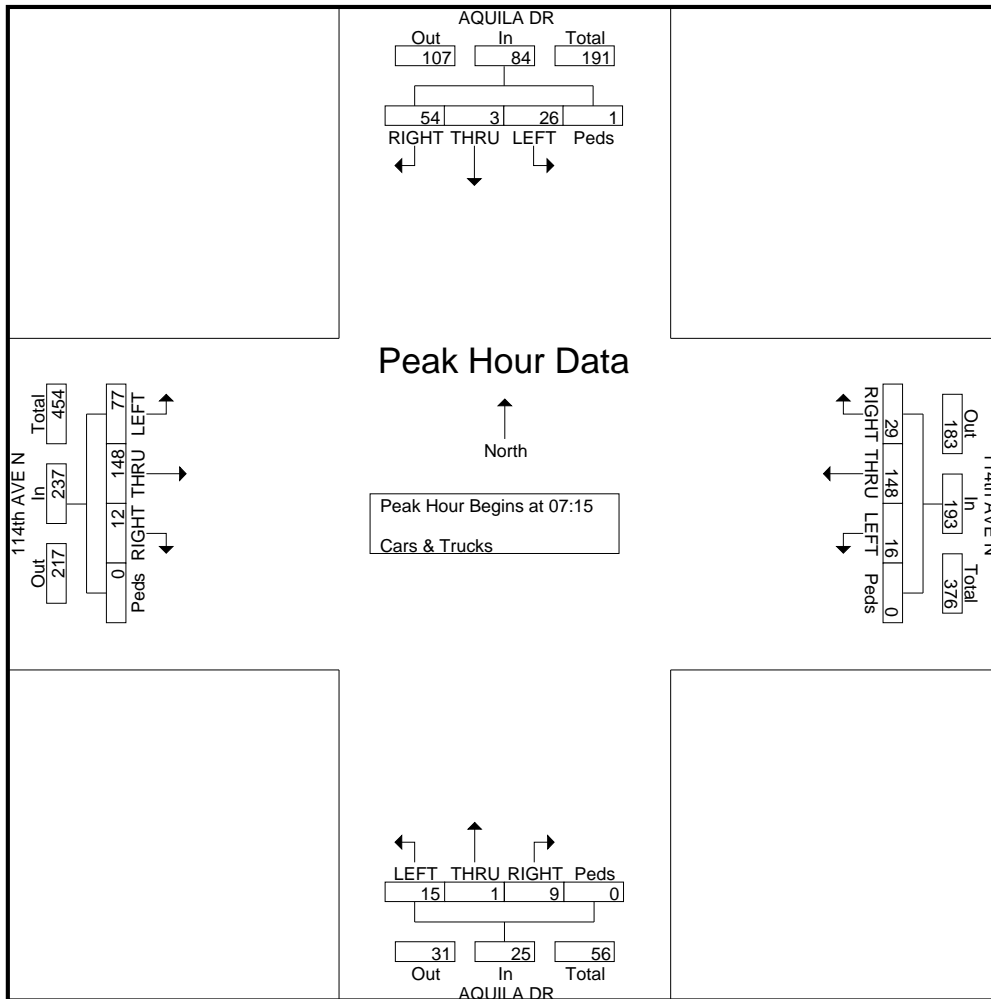


MINNESOTA DEPT OF TRANSPORTATION

TRAFFIC DATA COLLECTION - METRO

File Name : 114th AVE N @ AQUILA DR 2006
 Site Code : 00000000
 Start Date : 5/10/2006
 Page No : 2

Start Time	AQUILA DR Southbound					114th AVE N Westbound					AQUILA DR Northbound					114th AVE N Eastbound					Int. Total
	LEFT	THRU	RIGHT	Peds	App. Total	LEFT	THRU	RIGHT	Peds	App. Total	LEFT	THRU	RIGHT	Peds	App. Total	LEFT	THRU	RIGHT	Peds	App. Total	
Peak Hour Analysis From 06:00 to 09:45 - Peak 1 of 1																					
Peak Hour for Entire Intersection Begins at 07:15																					
07:15	7	1	13	0	21	5	38	5	0	48	4	0	1	0	5	14	52	0	0	66	140
07:30	8	0	9	0	17	2	38	6	0	46	2	1	2	0	5	18	44	1	0	63	131
07:45	1	1	17	0	19	4	40	10	0	54	2	0	5	0	7	17	29	7	0	53	133
08:00	10	1	15	1	27	5	32	8	0	45	7	0	1	0	8	28	23	4	0	55	135
Total Volume	26	3	54	1	84	16	148	29	0	193	15	1	9	0	25	77	148	12	0	237	539
% App. Total	31	3.6	64.3	1.2		8.3	76.7	15	0		60	4	36	0		32.5	62.4	5.1	0		
PHF	.650	.750	.794	.250	.778	.800	.925	.725	.000	.894	.536	.250	.450	.000	.781	.688	.712	.429	.000	.898	.963



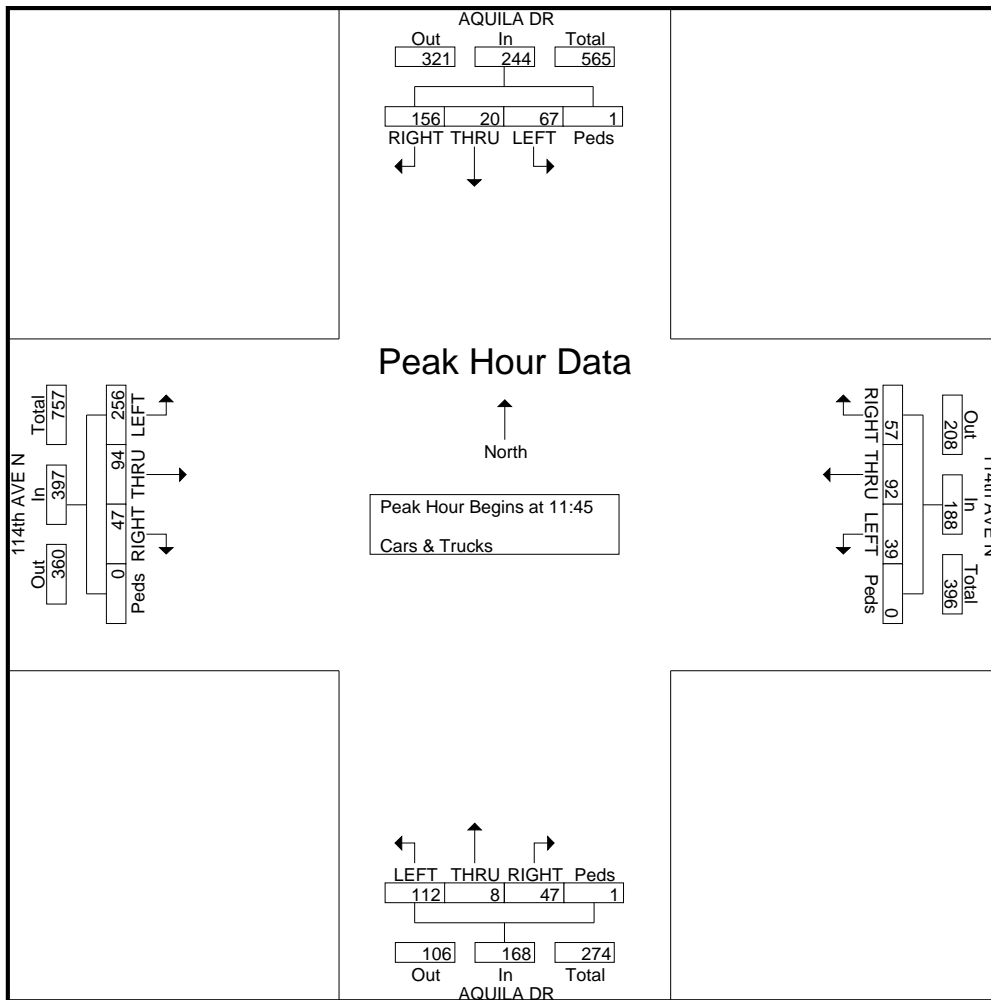


MINNESOTA DEPT OF TRANSPORTATION

TRAFFIC DATA COLLECTION - METRO

File Name : 114th AVE N @ AQUILA DR 2006
 Site Code : 00000000
 Start Date : 5/10/2006
 Page No : 3

Start Time	AQUILA DR Southbound					114th AVE N Westbound					AQUILA DR Northbound					114th AVE N Eastbound					Int. Total
	LEFT	THRU	RIGHT	Peds	App. Total	LEFT	THRU	RIGHT	Peds	App. Total	LEFT	THRU	RIGHT	Peds	App. Total	LEFT	THRU	RIGHT	Peds	App. Total	
Peak Hour Analysis From 10:00 to 13:45 - Peak 1 of 1																					
Peak Hour for Entire Intersection Begins at 11:45																					
11:45	18	3	39	0	60	11	21	10	0	42	37	3	11	0	51	70	16	11	0	97	250
12:00	15	7	36	0	58	9	28	13	0	50	20	2	14	1	37	70	25	6	0	101	246
12:15	21	6	41	0	68	11	23	19	0	53	23	2	8	0	33	55	28	15	0	98	252
12:30	13	4	40	1	58	8	20	15	0	43	32	1	14	0	47	61	25	15	0	101	249
Total Volume	67	20	156	1	244	39	92	57	0	188	112	8	47	1	168	256	94	47	0	397	997
% App. Total	27.5	8.2	63.9	0.4		20.7	48.9	30.3	0		66.7	4.8	28	0.6		64.5	23.7	11.8	0		
PHF	.798	.714	.951	.250	.897	.886	.821	.750	.000	.887	.757	.667	.839	.250	.824	.914	.839	.783	.000	.983	.989





MINNESOTA DEPT OF TRANSPORTATION

TRAFFIC DATA COLLECTION - METRO

File Name : 114th AVE N @ AQUILA DR 2006
 Site Code : 00000000
 Start Date : 5/10/2006
 Page No : 4

Start Time	AQUILA DR Southbound					114th AVE N Westbound					AQUILA DR Northbound					114th AVE N Eastbound					Int. Total
	LEFT	THRU	RIGHT	Peds	App. Total	LEFT	THRU	RIGHT	Peds	App. Total	LEFT	THRU	RIGHT	Peds	App. Total	LEFT	THRU	RIGHT	Peds	App. Total	
Peak Hour Analysis From 14:00 to 17:45 - Peak 1 of 1																					
Peak Hour for Entire Intersection Begins at 17:00																					
17:00	37	2	58	0	97	18	46	25	4	93	24	7	16	3	50	89	54	19	4	166	406
17:15	29	3	56	0	88	22	58	30	0	110	19	8	20	0	47	83	67	5	1	156	401
17:30	33	4	60	2	99	16	50	48	0	114	10	4	20	3	37	99	75	19	2	195	445
17:45	26	7	63	0	96	15	46	29	1	91	26	8	19	0	53	89	82	8	0	179	419
Total Volume	125	16	237	2	380	71	200	132	5	408	79	27	75	6	187	360	278	51	7	696	1671
% App. Total	32.9	4.2	62.4	0.5		17.4	49	32.4	1.2		42.2	14.4	40.1	3.2		51.7	39.9	7.3	1		
PHF	.845	.571	.940	.250	.960	.807	.862	.688	.313	.895	.760	.844	.938	.500	.882	.909	.848	.671	.438	.892	.939

