

Alliant Engineering Inc Minneapolis, MN 55415

Anderson Lakes Pkwy at Columbine Road
Eden Prairie
data by: Alliant Engineering
TURN MOVEMENT COUNT

File Name : 04_Anderson Lakes Parkway at Columbine Road
Site Code : 00000004
Start Date : 10/7/2009
Page No : 1

Groups Printed- Unshifted - Bank 1

Start Time	Columbine Road Southbound				Anderson Lakes Parkway Westbound				Columbine Road Northbound				Anderson Lakes Parkway Eastbound				Int. Total
	Left	Thru	Right	Peds	Left	Thru	Right	Peds	Left	Thru	Right	Peds	Left	Thru	Right	Peds	
06:30	9	13	4	0	2	4	0	0	3	1	8	0	4	20	5	0	73
06:45	7	5	5	0	13	45	8	0	3	4	11	0	5	39	10	0	155
Total	16	18	9	0	15	49	8	0	6	5	19	0	9	59	15	0	228
07:00	8	10	5	0	17	78	9	0	4	11	29	0	3	43	16	0	233
07:15	10	8	5	1	22	103	16	0	7	9	29	1	9	75	16	0	311
07:30	10	12	7	0	30	136	11	0	4	10	21	0	19	124	24	1	409
07:45	12	16	6	1	23	87	12	0	11	13	22	0	27	114	34	1	379
Total	40	46	23	2	92	404	48	0	26	43	101	1	58	356	90	2	1332
08:00	8	17	4	0	39	69	13	0	8	8	15	1	15	68	26	0	291
08:15	12	12	7	0	31	60	15	0	5	3	17	1	6	57	23	0	249
08:30	19	15	2	2	35	80	9	0	7	6	14	0	10	57	21	0	277
08:45	7	15	3	2	20	46	10	0	3	10	17	0	10	66	25	1	235
Total	46	59	16	4	125	255	47	0	23	27	63	2	41	248	95	1	1052
09:00	14	5	3	0	29	49	12	0	0	6	9	0	8	37	9	0	181
09:15	14	12	5	2	22	67	11	0	8	7	16	0	10	40	6	3	223
*** BREAK ***																	
Total	28	17	8	2	51	116	23	0	8	13	25	0	18	77	15	3	404
*** BREAK ***																	
10:30	8	5	10	0	12	35	14	0	9	3	12	0	12	30	2	0	152
10:45	10	6	8	0	8	24	8	0	2	9	8	0	13	37	6	1	140
Total	18	11	18	0	20	59	22	0	11	12	20	0	25	67	8	1	292
11:00	19	7	15	0	10	34	12	0	7	13	20	1	20	44	5	0	207
11:15	15	5	14	1	14	40	15	0	9	21	20	0	23	34	2	0	213
11:30	17	13	15	0	19	49	11	0	10	28	20	2	15	49	8	0	256
11:45	15	18	16	0	20	37	7	0	14	32	25	4	22	53	9	1	273
Total	66	43	60	1	63	160	45	0	40	94	85	7	80	180	24	1	949
12:00	20	16	14	1	30	38	12	0	11	23	23	3	10	33	10	1	245
12:15	26	28	12	1	21	37	19	0	4	16	15	0	18	32	10	2	241
12:30	17	14	6	0	40	43	16	0	15	26	20	0	15	31	10	1	254
12:45	19	24	21	1	26	52	15	1	10	7	26	0	18	43	17	0	280
Total	82	82	53	3	117	170	62	1	40	72	84	3	61	139	47	4	1020
13:00	15	14	13	0	18	44	16	0	6	12	17	0	15	50	7	3	230
13:15	20	8	20	3	15	19	9	0	6	5	7	0	18	41	6	0	177
*** BREAK ***																	
Total	35	22	33	3	33	63	25	0	12	17	24	0	33	91	13	3	407
*** BREAK ***																	
14:30	11	11	14	0	9	60	11	0	8	5	9	3	11	30	6	0	188
14:45	12	10	17	0	19	56	12	0	11	9	6	3	19	45	6	0	225
Total	23	21	31	0	28	116	23	0	19	14	15	6	30	75	12	0	413
15:00	14	12	22	0	13	68	19	0	5	9	11	0	20	101	8	1	303
15:15	26	17	23	1	26	58	17	1	11	12	12	0	14	58	6	0	282
15:30	25	15	11	1	21	72	27	0	14	20	14	1	19	69	13	1	323
15:45	27	18	16	0	24	71	17	1	9	11	21	0	20	73	6	1	315
Total	92	62	72	2	84	269	80	2	39	52	58	1	73	301	33	3	1223
16:00	31	19	21	0	19	94	25	1	20	17	25	1	14	77	5	0	369
16:15	31	10	12	0	21	93	18	0	19	8	29	1	14	86	10	1	353
16:30	28	12	17	0	28	90	20	2	15	18	32	0	22	101	11	0	396
16:45	26	18	19	0	31	89	17	0	11	16	23	0	25	70	11	0	356
Total	116	59	69	0	99	366	80	3	65	59	109	2	75	334	37	1	1474

Alliant Engineering Inc Minneapolis, MN 55415

Anderson Lakes Pkwy at Columbine Road
Eden Prairie
data by: Alliant Engineering
TURN MOVEMENT COUNT

File Name : 04_Anderson Lakes Parkway at Columbine Road
Site Code : 00000004
Start Date : 10/7/2009
Page No : 2

Groups Printed- Unshifted - Bank 1

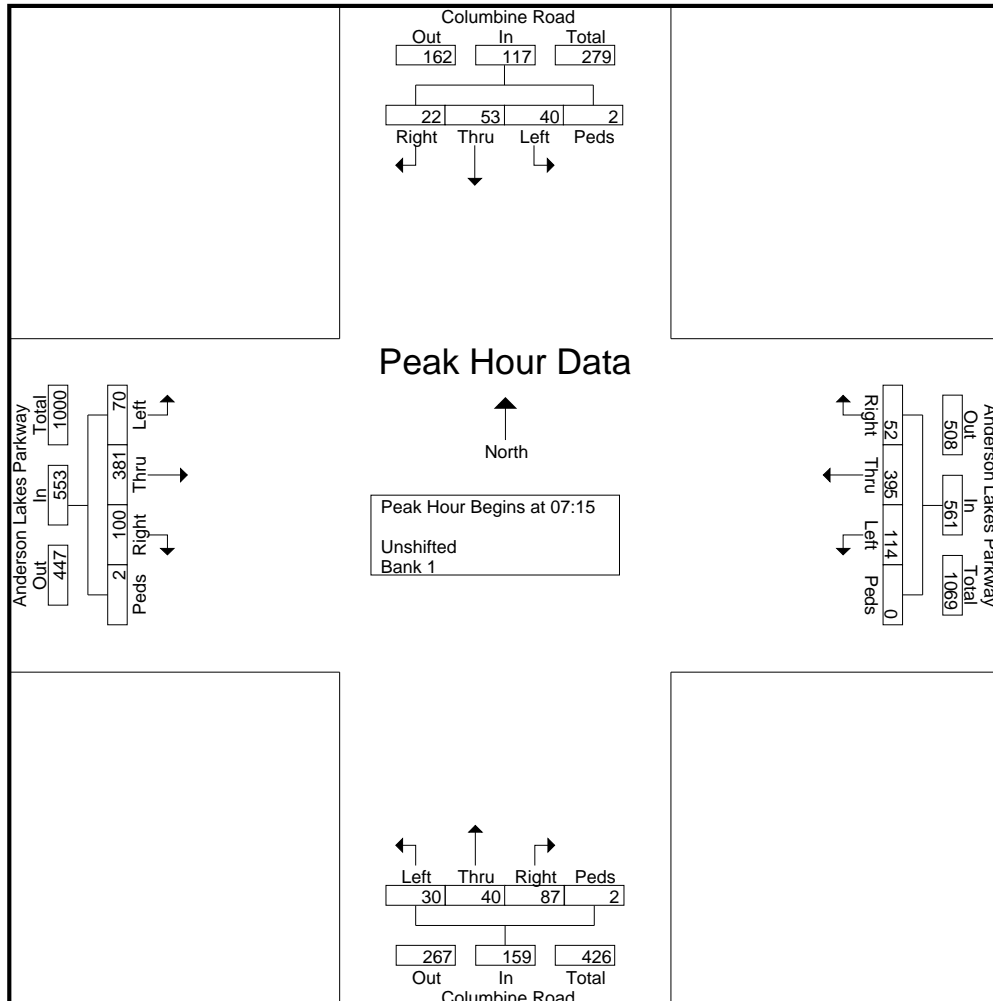
Start Time	Columbine Road Southbound				Anderson Lakes Parkway Westbound				Columbine Road Northbound				Anderson Lakes Parkway Eastbound				Int. Total
	Left	Thru	Right	Peds	Left	Thru	Right	Peds	Left	Thru	Right	Peds	Left	Thru	Right	Peds	
17:00	33	23	20	1	33	112	11	0	29	27	49	1	27	75	14	1	456
17:15	34	20	13	1	36	108	20	0	21	21	41	0	22	82	13	0	432
17:30	25	25	17	1	46	112	16	0	13	14	32	5	13	92	15	0	426
17:45	22	12	16	2	57	97	17	0	16	10	19	0	14	91	19	0	392
Total	114	80	66	5	172	429	64	0	79	72	141	6	76	340	61	1	1706
18:00	32	23	19	0	25	117	12	1	13	15	21	1	14	63	13	1	370
18:15	17	12	14	0	20	84	18	0	14	14	25	0	15	53	4	2	292
18:30	16	4	18	0	15	81	14	0	7	6	19	0	8	36	5	1	230
18:45	9	7	16	0	12	83	7	0	11	13	12	0	6	34	3	0	213
Total	74	46	67	0	72	365	51	1	45	48	77	1	43	186	25	4	1105
Grand Total	750	566	525	22	971	2821	578	7	413	528	821	29	622	2453	475	24	11605
Apprch %	40.3	30.4	28.2	1.2	22.2	64.5	13.2	0.2	23.1	29.5	45.8	1.6	17.4	68.6	13.3	0.7	
Total %	6.5	4.9	4.5	0.2	8.4	24.3	5	0.1	3.6	4.5	7.1	0.2	5.4	21.1	4.1	0.2	
Unshifted	732	551	513	22	960	2705	563	7	394	515	810	29	605	2331	457	24	11218
% Unshifted	97.6	97.3	97.7	100	98.9	95.9	97.4	100	95.4	97.5	98.7	100	97.3	95	96.2	100	96.7
Bank 1	18	15	12	0	11	116	15	0	19	13	11	0	17	122	18	0	387
% Bank 1	2.4	2.7	2.3	0	1.1	4.1	2.6	0	4.6	2.5	1.3	0	2.7	5	3.8	0	3.3

Alliant Engineering Inc Minneapolis, MN 55415

Anderson Lakes Pkwy at Columbine Road
Eden Prairie
data by: Alliant Engineering
TURN MOVEMENT COUNT

File Name : 04_Anderson Lakes Parkway at Columbine Road
Site Code : 00000004
Start Date : 10/7/2009
Page No : 3

Start Time	Columbine Road Southbound					Anderson Lakes Parkway Westbound					Columbine Road Northbound					Anderson Lakes Parkway Eastbound					Int. Total
	Left	Thru	Right	Peds	App. Total	Left	Thru	Right	Peds	App. Total	Left	Thru	Right	Peds	App. Total	Left	Thru	Right	Peds	App. Total	
Peak Hour Analysis From 06:30 to 09:15 - Peak 1 of 1																					
Peak Hour for Entire Intersection Begins at 07:15																					
07:15	10	8	5	1	24	22	103	16	0	141	7	9	29	1	46	9	75	16	0	100	311
07:30	10	12	7	0	29	30	136	11	0	177	4	10	21	0	35	19	124	24	1	168	409
07:45	12	16	6	1	35	23	87	12	0	122	11	13	22	0	46	27	114	34	1	176	379
08:00	8	17	4	0	29	39	69	13	0	121	8	8	15	1	32	15	68	26	0	109	291
Total Volume	40	53	22	2	117	114	395	52	0	561	30	40	87	2	159	70	381	100	2	553	1390
% App. Total	34.2	45.3	18.8	1.7		20.3	70.4	9.3	0		18.9	25.2	54.7	1.3		12.7	68.9	18.1	0.4		
PHF	.833	.779	.786	.500	.836	.731	.726	.813	.000	.792	.682	.769	.750	.500	.864	.648	.768	.735	.500	.786	.850



Alliant Engineering Inc Minneapolis, MN 55415

Anderson Lakes Pkwy at Columbine Road
Eden Prairie
data by: Alliant Engineering
TURN MOVEMENT COUNT

File Name : 04_Anderson Lakes Parkway at Columbine Road
Site Code : 00000004
Start Date : 10/7/2009
Page No : 4

Start Time	Columbine Road Southbound					Anderson Lakes Parkway Westbound					Columbine Road Northbound					Anderson Lakes Parkway Eastbound					Int. Total
	Left	Thru	Right	Peds	App. Total	Left	Thru	Right	Peds	App. Total	Left	Thru	Right	Peds	App. Total	Left	Thru	Right	Peds	App. Total	
Peak Hour Analysis From 15:00 to 18:45 - Peak 1 of 1																					
Peak Hour for Entire Intersection Begins at 17:00																					
17:00	33	23	20	1	77	33	112	11	0	156	29	27	49	1	106	27	75	14	1	117	456
17:15	34	20	13	1	68	36	108	20	0	164	21	21	41	0	83	22	82	13	0	117	432
17:30	25	25	17	1	68	46	112	16	0	174	13	14	32	5	64	13	92	15	0	120	426
17:45	22	12	16	2	52	57	97	17	0	171	16	10	19	0	45	14	91	19	0	124	392
Total Volume	114	80	66	5	265	172	429	64	0	665	79	72	141	6	298	76	340	61	1	478	1706
% App. Total	43	30.2	24.9	1.9		25.9	64.5	9.6	0		26.5	24.2	47.3	2		15.9	71.1	12.8	0.2		
PHF	.838	.800	.825	.625	.860	.754	.958	.800	.000	.955	.681	.667	.719	.300	.703	.704	.924	.803	.250	.964	.935

