



Minnesota Dept. of Transportation

Traffic Data Collection -Metro

TH-3 AT 280TH ST / CO RD 86
 Ref.Pt; 019.336
 Jamar # T-2638 CAH
 TURN MOVEMENT COUNT

File Name : TH-3 AT 280TH ST - CSAH 86
 Site Code : 019.336
 Start Date : 5/16/2012
 Page No : 1

Groups Printed- Unshifted

Start Time	TH 3 Southbound				280TH ST / CO RD 86 Westbound				TH 3 Northbound				280TH ST / CO RD 86 Eastbound				Int. Total
	Right	Thru	Left	Peds	Right	Thru	Left	Peds	Right	Thru	Left	Peds	Right	Thru	Left	Peds	
06:00	1	17	1	0	3	10	1	0	0	24	6	1	1	6	1	0	72
06:15	3	17	0	0	2	17	1	0	0	31	7	0	3	18	1	0	100
06:30	0	20	1	0	1	24	0	0	0	31	3	1	8	11	2	0	102
06:45	2	21	3	0	3	16	1	0	0	40	5	0	11	19	3	0	124
Total	6	75	5	0	9	67	3	0	0	126	21	2	23	54	7	0	398
07:00	2	17	1	0	2	17	3	0	1	37	13	0	4	20	4	0	121
07:15	8	30	4	0	5	12	2	0	1	32	9	0	11	11	5	0	130
07:30	4	28	3	0	3	17	1	0	3	38	12	0	9	19	2	0	139
07:45	6	27	2	0	3	22	2	0	4	19	15	0	11	14	5	0	130
Total	20	102	10	0	13	68	8	0	9	126	49	0	35	64	16	0	520
08:00	0	14	0	0	4	6	0	0	2	14	9	0	4	5	2	0	60
08:15	4	20	0	0	3	8	1	0	3	30	5	0	14	13	6	0	107
08:30	0	28	1	0	1	10	0	0	1	22	7	1	4	9	0	0	84
08:45	1	24	1	0	4	12	2	0	2	18	16	0	6	8	1	0	95
Total	5	86	2	0	12	36	3	0	8	84	37	1	28	35	9	0	346
*** BREAK ***																	
15:00	7	37	2	0	0	15	3	0	2	28	8	0	12	23	4	0	141
15:15	3	28	5	0	3	14	3	0	2	25	10	0	3	18	7	0	121
15:30	5	42	6	0	2	18	1	0	2	32	11	0	7	13	0	0	139
15:45	4	31	6	1	2	24	0	0	0	24	9	0	6	20	4	0	131
Total	19	138	19	1	7	71	7	0	6	109	38	0	28	74	15	0	532
16:00	6	41	3	0	4	19	2	0	2	26	5	0	14	21	6	0	149
16:15	7	44	8	0	4	19	3	0	0	29	8	0	8	14	5	0	149
16:30	5	43	1	0	2	21	0	0	2	31	14	0	24	28	5	0	176
16:45	1	37	4	0	5	14	1	0	5	29	8	0	14	19	1	0	138
Total	19	165	16	0	15	73	6	0	9	115	35	0	60	82	17	0	612
17:00	10	56	12	0	4	21	0	0	3	39	13	0	17	22	9	0	206
17:15	5	36	6	1	3	28	1	0	1	37	12	0	8	15	4	0	157
17:30	5	36	10	0	2	27	3	0	4	33	13	1	5	24	4	1	168
17:45	1	31	4	0	3	19	1	0	2	28	5	0	7	12	9	0	122
Total	21	159	32	1	12	95	5	0	10	137	43	1	37	73	26	1	653
Grand Total	90	725	84	2	68	410	32	0	42	697	223	4	211	382	90	1	3061
Apprch %	10	80.5	9.3	0.2	13.3	80.4	6.3	0	4.3	72.2	23.1	0.4	30.8	55.8	13.2	0.1	
Total %	2.9	23.7	2.7	0.1	2.2	13.4	1	0	1.4	22.8	7.3	0.1	6.9	12.5	2.9	0	



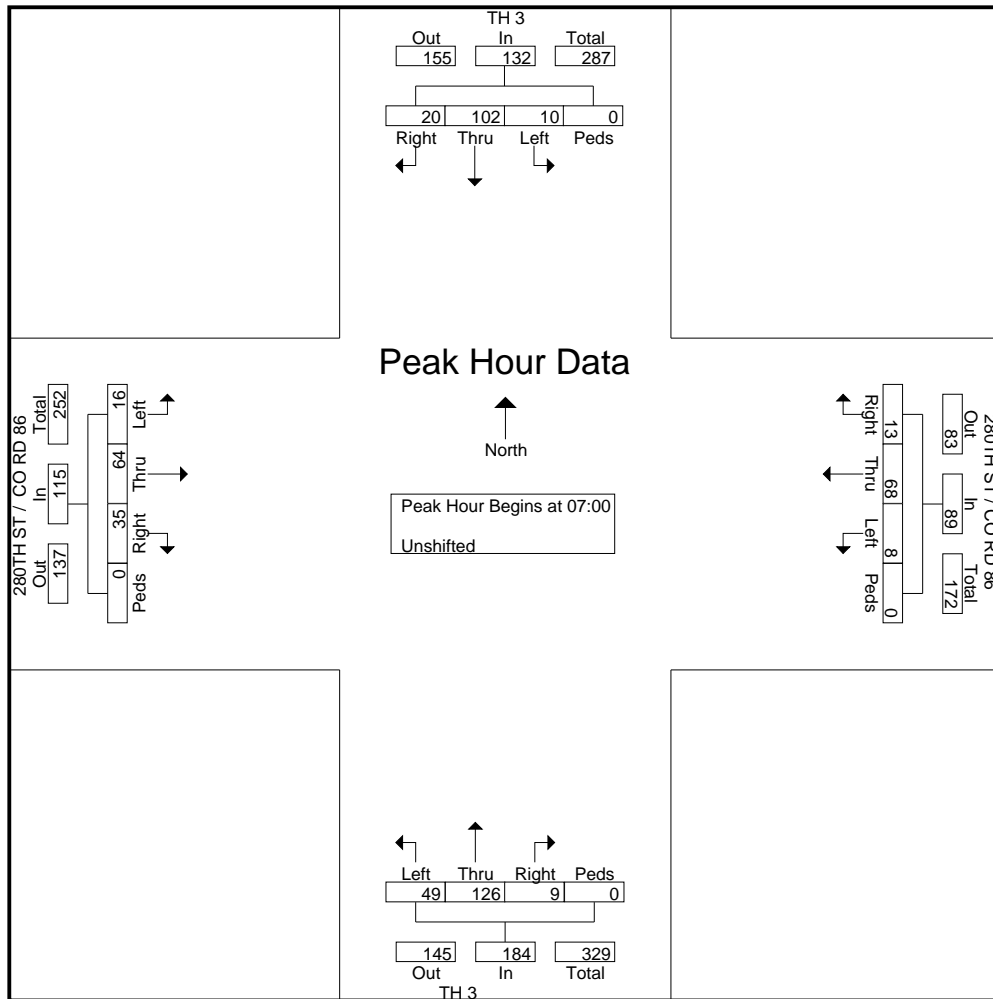
Minnesota Dept. of Transportation

Traffic Data Collection -Metro

TH-3 AT 280TH ST / CO RD 86
 Ref.Pt; 019.336
 Jamar # T-2638 CAH
 TURN MOVEMENT COUNT

File Name : TH-3 AT 280TH ST - CSAH 86
 Site Code : 019.336
 Start Date : 5/16/2012
 Page No : 2

Start Time	TH 3 Southbound					280TH ST / CO RD 86 Westbound					TH 3 Northbound					280TH ST / CO RD 86 Eastbound					Int. Total
	Right	Thru	Left	Peds	App. Total	Right	Thru	Left	Peds	App. Total	Right	Thru	Left	Peds	App. Total	Right	Thru	Left	Peds	App. Total	
Peak Hour Analysis From 06:00 to 08:45 - Peak 1 of 1																					
Peak Hour for Entire Intersection Begins at 07:00																					
07:00	2	17	1	0	20	2	17	3	0	22	1	37	13	0	51	4	20	4	0	28	121
07:15	8	30	4	0	42	5	12	2	0	19	1	32	9	0	42	11	11	5	0	27	130
07:30	4	28	3	0	35	3	17	1	0	21	3	38	12	0	53	9	19	2	0	30	139
07:45	6	27	2	0	35	3	22	2	0	27	4	19	15	0	38	11	14	5	0	30	130
Total Volume	20	102	10	0	132	13	68	8	0	89	9	126	49	0	184	35	64	16	0	115	520
% App. Total	15.2	77.3	7.6	0		14.6	76.4	9	0		4.9	68.5	26.6	0		30.4	55.7	13.9	0		
PHF	.625	.850	.625	.000	.786	.650	.773	.667	.000	.824	.563	.829	.817	.000	.868	.795	.800	.800	.000	.958	.935





Minnesota Dept. of Transportation

Traffic Data Collection -Metro

TH-3 AT 280TH ST / CO RD 86
 Ref.Pt; 019.336
 Jamar # T-2638 CAH
 TURN MOVEMENT COUNT

File Name : TH-3 AT 280TH ST - CSAH 86
 Site Code : 019.336
 Start Date : 5/16/2012
 Page No : 3

Start Time	TH 3 Southbound					280TH ST / CO RD 86 Westbound					TH 3 Northbound					280TH ST / CO RD 86 Eastbound					Int. Total
	Rig ht	Thr u	Left	Ped s	App. Total	Rig ht	Thr u	Left	Ped s	App. Total	Right	Thr u	Left	Peds	App. Total	Right	Thr u	Left	Peds	App. Total	
Peak Hour Analysis From 15:00 to 17:45 - Peak 1 of 1																					
Peak Hour for Entire Intersection Begins at 16:30																					
16:30	5	43	1	0	49	2	21	0	0	23	2	31	14	0	47	24	28	5	0	57	176
16:45	1	37	4	0	42	5	14	1	0	20	5	29	8	0	42	14	19	1	0	34	138
17:00	10	56	12	0	78	4	21	0	0	25	3	39	13	0	55	17	22	9	0	48	206
17:15	5	36	6	1	48	3	28	1	0	32	1	37	12	0	50	8	15	4	0	27	157
Total Volume	21	172	23	1	217	14	84	2	0	100	11	136	47	0	194	63	84	19	0	166	677
% App. Total	9.7	79.3	10.6	0.5		14	84	2	0		5.7	70.1	24.2	0		38	50.6	11.4	0		
PHF	.525	.768	.479	.250	.696	.700	.750	.500	.000	.781	.550	.872	.839	.000	.882	.656	.750	.528	.000	.728	.822

