



MINNESOTA DEPT OF TRANSPORTATION

TRAFFIC DATA COLLECTION - METRO

Location: TH 101 @ CR RD 14
 -PIONEER TRAIL 2006
 REF. PT.:010+00.261
 Jamar# 1358/MAR

File Name : TH 101 @ CO RD 14 - PIONEER TRAIL 2006
 Site Code : 00000000
 Start Date : 1/19/2006
 Page No : 1

Groups Printed- Cars & Trucks

Start Time	TH 101 Southbound					CO RD 14 - PIONEER RD Westbound					TH 101 Northbound					CO RD 14 - PIONEER RD Eastbound					Int. Total
	Left	Thru	Right	Peds	App. Total	Left	Thru	Right	Peds	App. Total	Left	Thru	Right	Peds	App. Total	Left	Thru	Right	Peds	App. Total	
06:00	6	17	4	0	27	1	8	2	0	11	2	30	5	0	37	0	79	1	0	80	155
06:15	5	21	4	0	30	2	12	4	0	18	2	32	5	0	39	4	88	2	0	94	181
06:30	4	27	2	0	33	0	10	4	0	14	3	35	4	0	42	5	98	1	0	104	193
06:45	4	28	1	0	33	5	15	7	0	27	4	40	6	0	50	6	150	3	0	159	269
Total	19	93	11	0	123	8	45	17	0	70	11	137	20	0	168	15	415	7	0	437	798
07:00	5	35	5	0	45	0	32	8	0	40	3	52	4	0	59	7	180	4	0	191	335
07:15	6	47	3	0	56	15	34	19	0	68	2	55	5	0	62	8	185	3	0	196	382
07:30	6	41	1	0	48	7	26	24	0	57	2	68	5	0	75	3	158	7	0	168	348
07:45	18	41	7	0	66	10	49	29	0	88	2	83	7	0	92	3	144	5	0	152	398
Total	35	164	16	0	215	32	141	80	0	253	9	258	21	0	288	21	667	19	0	707	1463
08:00	14	32	2	0	48	8	32	12	0	52	3	68	9	0	80	4	136	2	0	142	322
08:15	8	35	1	0	44	6	18	17	0	41	3	44	2	0	49	7	127	0	0	134	268
08:30	5	21	1	0	27	6	31	14	0	51	1	44	5	0	50	3	84	2	0	89	217
08:45	6	24	2	0	32	11	21	19	3	54	1	44	8	0	53	2	110	3	0	115	254
Total	33	112	6	0	151	31	102	62	3	198	8	200	24	0	232	16	457	7	0	480	1061
09:00	4	24	2	0	30	4	22	10	0	36	2	20	6	0	28	1	44	1	0	46	140
Total	4	24	2	0	30	4	22	10	0	36	2	20	6	0	28	1	44	1	0	46	140
15:00	11	82	3	0	96	7	72	10	0	89	1	24	1	0	26	8	32	0	0	40	251
15:15	14	52	4	0	70	17	89	13	0	119	0	29	5	0	34	15	52	2	0	69	292
15:30	11	82	5	0	98	10	98	6	0	114	0	37	10	0	47	9	37	1	0	47	306
15:45	14	63	4	0	81	11	97	15	0	123	1	29	9	0	39	5	38	1	0	44	287
Total	50	279	16	0	345	45	356	44	0	445	2	119	25	0	146	37	159	4	0	200	1136
16:00	16	60	4	0	80	15	113	16	0	144	5	30	8	0	43	6	28	3	0	37	304
16:15	12	68	3	0	83	15	157	13	0	185	1	40	3	0	44	6	45	3	0	54	366
16:30	19	84	3	0	106	15	125	8	0	148	1	42	2	0	45	1	60	5	0	66	365
16:45	16	63	2	0	81	7	141	38	0	186	1	52	7	0	60	3	40	4	0	47	374
Total	63	275	12	0	350	52	536	75	0	663	8	164	20	0	192	16	173	15	0	204	1409
17:00	18	83	7	0	108	8	137	12	0	157	1	38	10	0	49	6	64	6	0	76	390
17:15	17	89	3	0	109	7	158	19	0	184	1	54	6	0	61	4	52	5	0	61	415
17:30	15	51	2	0	68	11	161	20	0	192	5	54	8	0	67	5	42	3	0	50	377
17:45	10	44	2	0	56	6	124	16	0	146	0	38	8	0	46	1	42	4	0	47	295
Total	60	267	14	0	341	32	580	67	0	679	7	184	32	0	223	16	200	18	0	234	1477
Grand Total	264	1214	77	0	1555	204	1782	355	3	2344	47	1082	148	0	1277	122	2115	71	0	2308	7484
Apprch %	17	78.1	5	0		8.7	76	15.1	0.1		3.7	84.7	11.6	0		5.3	91.6	3.1	0		
Total %	3.5	16.2	1	0	20.8	2.7	23.8	4.7	0	31.3	0.6	14.5	2	0	17.1	1.6	28.3	0.9	0	30.8	

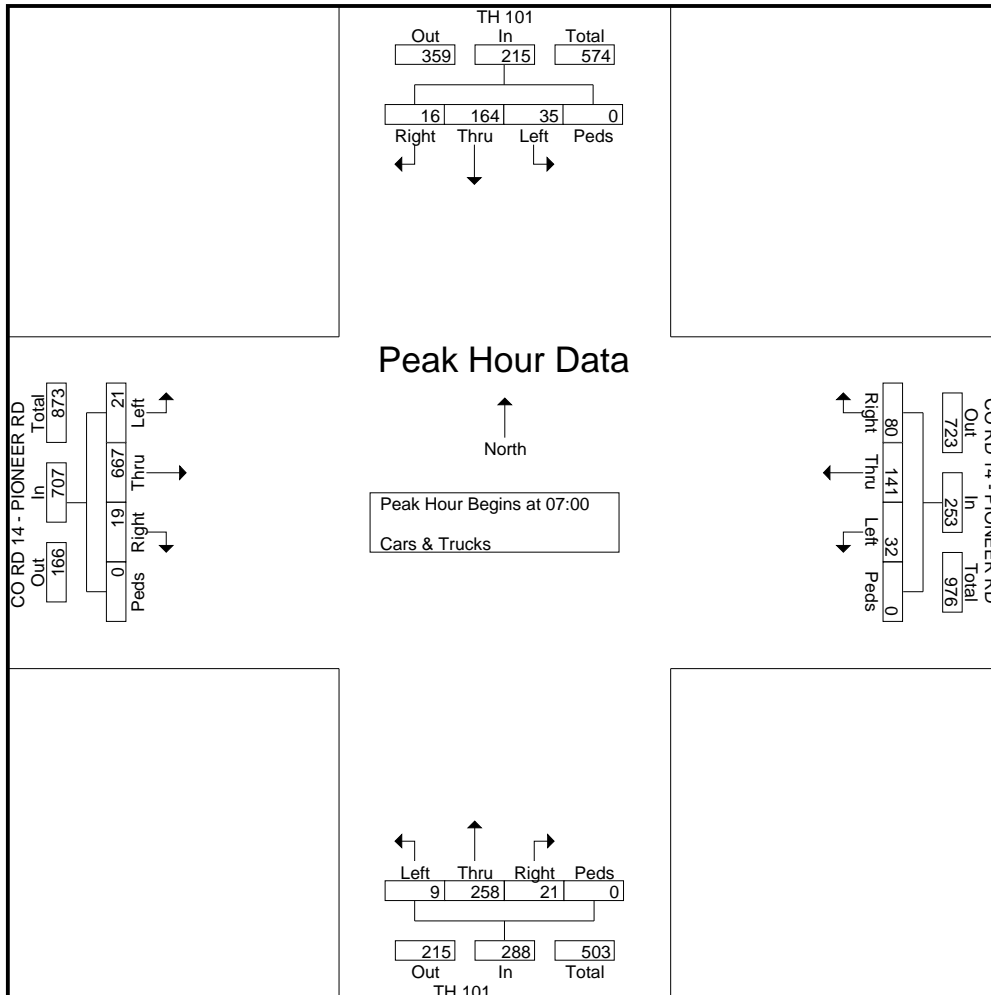


MINNESOTA DEPT OF TRANSPORTATION

TRAFFIC DATA COLLECTION - METRO

File Name : TH 101 @ CO RD 14 - PIONEER TRAIL 2006
 Site Code : 00000000
 Start Date : 1/19/2006
 Page No : 2

Start Time	TH 101 Southbound					CO RD 14 - PIONEER RD Westbound					TH 101 Northbound					CO RD 14 - PIONEER RD Eastbound					Int. Total
	Left	Thru	Right	Peds	App. Total	Left	Thru	Right	Peds	App. Total	Left	Thru	Right	Peds	App. Total	Left	Thru	Right	Peds	App. Total	
Peak Hour Analysis From 06:00 to 08:45 - Peak 1 of 1																					
Peak Hour for Entire Intersection Begins at 07:00																					
07:00	5	35	5	0	45	0	32	8	0	40	3	52	4	0	59	7	180	4	0	191	335
07:15	6	47	3	0	56	15	34	19	0	68	2	55	5	0	62	8	185	3	0	196	382
07:30	6	41	1	0	48	7	26	24	0	57	2	68	5	0	75	3	158	7	0	168	348
07:45	18	41	7	0	66	10	49	29	0	88	2	83	7	0	92	3	144	5	0	152	398
Total Volume	35	164	16	0	215	32	141	80	0	253	9	258	21	0	288	21	667	19	0	707	1463
% App. Total	16.3	76.3	7.4	0		12.6	55.7	31.6	0		3.1	89.6	7.3	0		3	94.3	2.7	0		
PHF	.486	.872	.571	.000	.814	.533	.719	.690	.000	.719	.750	.777	.750	.000	.783	.656	.901	.679	.000	.902	.919





MINNESOTA DEPT OF TRANSPORTATION

TRAFFIC DATA COLLECTION - METRO

File Name : TH 101 @ CO RD 14 - PIONEER TRAIL 2006
 Site Code : 00000000
 Start Date : 1/19/2006
 Page No : 3

Start Time	TH 101 Southbound					CO RD 14 - PIONEER RD Westbound					TH 101 Northbound					CO RD 14 - PIONEER RD Eastbound					Int. Total
	Left	Thru	Right	Peds	App. Total	Left	Thru	Right	Peds	App. Total	Left	Thru	Right	Peds	App. Total	Left	Thru	Right	Peds	App. Total	
16:45	16	63	2	0	81	7	141	38	0	186	1	52	7	0	60	3	40	4	0	47	374
17:00	18	83	7	0	108	8	137	12	0	157	1	38	10	0	49	6	64	6	0	76	390
17:15	17	89	3	0	109	7	158	19	0	184	1	54	6	0	61	4	52	5	0	61	415
17:30	15	51	2	0	68	11	161	20	0	192	5	54	8	0	67	5	42	3	0	50	377
Total Volume	66	286	14	0	366	33	597	89	0	719	8	198	31	0	237	18	198	18	0	234	1556
% App. Total	18	78.1	3.8	0		4.6	83	12.4	0		3.4	83.5	13.1	0		7.7	84.6	7.7	0		
PHF	.917	.803	.500	.000	.839	.750	.927	.586	.000	.936	.400	.917	.775	.000	.884	.750	.773	.750	.000	.770	.937

Peak Hour Analysis From 15:00 to 17:45 - Peak 1 of 1
 Peak Hour for Entire Intersection Begins at 16:45

