

# Associated Consulting Services (ACS)

Saint Paul, MN 55127

-- TRAFFIC DATA --

Location: TH-47 at Pederson Dr  
 Ref. Pt: 034+00.802  
 Data Prepared By: ACS  
 TURNING MOVEMENT COUNT

File Name : TH-47 at Pederson Dr\_2018  
 Site Code :  
 Start Date : 5/15/2018  
 Page No : 1

Groups Printed- Cars - Trucks

Start Time	TH-47 Southbound				Pederson Dr. Westbound				TH-47 Northbound				Pederson Dr. Eastbound				Int. Total
	Left	Thru	Right	Peds	Left	Thru	Right	Peds	Left	Thru	Right	Peds	Left	Thru	Right	Peds	
06:00	1	93	10	0	0	0	1	0	5	13	1	0	0	0	51	0	175
06:15	0	109	18	1	0	0	0	0	11	13	3	0	0	1	70	0	226
06:30	2	103	15	1	0	0	1	0	15	16	8	0	3	2	61	0	227
06:45	1	95	6	0	0	0	1	0	13	17	5	0	6	2	47	0	193
Total	4	400	49	2	0	0	3	0	44	59	17	0	9	5	229	0	821
07:00	7	95	13	0	0	0	1	0	10	21	16	0	5	7	46	0	221
07:15	7	106	19	15	0	1	16	0	16	33	36	0	6	2	69	2	328
07:30	11	97	10	8	6	1	55	0	16	36	57	0	3	10	56	1	367
07:45	9	116	22	2	2	8	57	0	21	37	51	0	7	6	75	0	413
Total	34	414	64	25	8	10	129	0	63	127	160	0	21	25	246	3	1329
08:00	1	88	14	2	2	1	7	0	34	24	8	0	3	2	61	0	247
08:15	0	56	13	0	0	1	1	0	19	22	1	0	8	0	53	0	174
08:30	1	55	6	0	1	0	3	0	26	30	9	0	6	0	29	1	167
08:45	2	47	15	0	0	0	3	0	24	31	6	0	6	0	46	0	180
Total	4	246	48	2	3	2	14	0	103	107	24	0	23	2	189	1	768
09:00	7	54	13	2	12	2	14	1	36	23	14	0	4	7	50	0	239
09:15	5	46	10	1	9	3	2	0	32	28	6	0	5	0	48	0	195
09:30	0	41	6	2	0	2	1	0	33	29	3	0	12	0	40	0	169
09:45	0	41	7	0	0	0	1	0	37	30	1	0	8	2	33	0	160
Total	12	182	36	5	21	7	18	1	138	110	24	0	29	9	171	0	763
10:00	1	21	17	0	0	0	1	1	21	33	0	0	3	1	32	0	131
10:15	1	27	14	0	2	1	0	0	31	34	6	0	5	1	37	0	159
10:30	0	39	8	0	1	1	1	0	28	23	4	0	7	1	37	0	150
10:45	2	35	16	0	2	0	2	0	29	25	3	0	10	0	24	0	148
Total	4	122	55	0	5	2	4	1	109	115	13	0	25	3	130	0	588
11:00	1	27	10	0	2	0	1	0	33	17	4	0	9	0	46	0	150
11:15	0	38	11	0	0	3	3	0	41	20	1	0	10	1	37	0	165
11:30	1	23	11	0	1	0	0	1	24	29	3	0	3	0	26	0	122
11:45	0	41	14	0	1	1	3	0	26	24	1	0	8	0	41	0	160
Total	2	129	46	0	4	4	7	1	124	90	9	0	30	1	150	0	597
12:00	2	25	8	0	2	1	3	0	43	33	1	0	9	1	36	0	164
12:15	1	29	17	0	1	1	1	0	41	30	4	0	7	2	43	0	177
12:30	0	41	20	1	1	0	4	1	50	21	1	0	10	0	46	0	196
12:45	3	41	19	1	2	1	4	0	41	27	1	0	16	0	45	0	201
Total	6	136	64	2	6	3	12	1	175	111	7	0	42	3	170	0	738
13:00	0	41	10	1	5	1	1	2	32	32	2	0	7	0	50	0	184
13:15	0	29	13	1	1	0	3	1	39	37	2	0	10	1	37	0	174
13:30	1	26	14	1	1	0	2	0	31	28	2	0	7	0	42	2	157
13:45	0	34	8	4	1	0	6	2	35	33	2	0	8	1	22	2	158
Total	1	130	45	7	8	1	12	5	137	130	8	0	32	2	151	4	673
14:00	5	29	7	0	2	0	1	0	43	36	7	0	5	2	44	2	183
14:15	2	35	6	0	2	1	2	0	37	33	20	0	7	2	36	0	183

# Associated Consulting Services (ACS)

Saint Paul, MN 55127

-- TRAFFIC DATA --

Location: TH-47 at Pederson Dr  
 Ref. Pt: 034+00.802  
 Data Prepared By: ACS  
 TURNING MOVEMENT COUNT

File Name : TH-47 at Pederson Dr\_2018  
 Site Code :  
 Start Date : 5/15/2018  
 Page No : 2

Groups Printed- Cars - Trucks

Start Time	TH-47 Southbound				Pederson Dr. Westbound				TH-47 Northbound				Pederson Dr. Eastbound				Int. Total
	Left	Thru	Right	Peds	Left	Thru	Right	Peds	Left	Thru	Right	Peds	Left	Thru	Right	Peds	
14:30	4	56	10	35	4	3	40	0	43	54	4	0	7	4	34	0	298
14:45	0	46	10	1	2	1	11	0	51	50	2	0	8	0	27	0	209
Total	11	166	33	36	10	5	54	0	174	173	33	0	27	8	141	2	873
15:00	0	36	6	8	9	6	18	1	47	78	4	0	7	0	34	2	256
15:15	0	39	7	5	7	3	9	0	69	69	3	0	9	1	46	0	267
15:30	0	39	12	6	2	1	8	0	81	94	2	0	13	1	41	0	300
15:45	0	45	14	8	4	2	4	0	67	87	3	0	11	0	46	0	291
Total	0	159	39	27	22	12	39	1	264	328	12	0	40	2	167	2	1114
16:00	2	40	5	1	4	0	4	0	71	135	3	0	14	3	39	0	321
16:15	1	44	13	4	2	6	14	0	70	102	11	0	9	1	38	0	315
16:30	0	52	12	4	2	0	2	0	83	98	2	0	14	0	47	1	317
16:45	0	49	18	3	1	0	3	0	86	109	1	0	16	0	51	0	337
Total	3	185	48	12	9	6	23	0	310	444	17	0	53	4	175	1	1290
17:00	0	37	13	2	0	0	1	0	90	116	1	0	8	0	54	2	324
17:15	2	40	19	6	0	0	2	0	87	127	7	0	12	2	53	0	357
17:30	6	41	8	11	3	2	5	3	78	95	39	0	13	6	57	0	367
17:45	8	34	12	4	0	2	2	0	86	106	25	0	19	7	54	0	359
Total	16	152	52	23	3	4	10	3	341	444	72	0	52	15	218	2	1407
Grand Total	97	2421	579	141	99	56	325	13	1982	2238	396	0	383	79	2137	15	10961
Apprch %	3	74.8	17.9	4.4	20.1	11.4	65.9	2.6	42.9	48.5	8.6	0	14.7	3	81.8	0.6	
Total %	0.9	22.1	5.3	1.3	0.9	0.5	3	0.1	18.1	20.4	3.6	0	3.5	0.7	19.5	0.1	
Cars	94	2291	551	141	96	55	321	13	1935	2145	391	0	376	78	2071	15	10573
% Cars	96.9	94.6	95.2	100	97	98.2	98.8	100	97.6	95.8	98.7	0	98.2	98.7	96.9	100	96.5
Trucks	3	130	28	0	3	1	4	0	47	93	5	0	7	1	66	0	388
% Trucks	3.1	5.4	4.8	0	3	1.8	1.2	0	2.4	4.2	1.3	0	1.8	1.3	3.1	0	3.5

# Associated Consulting Services (ACS)

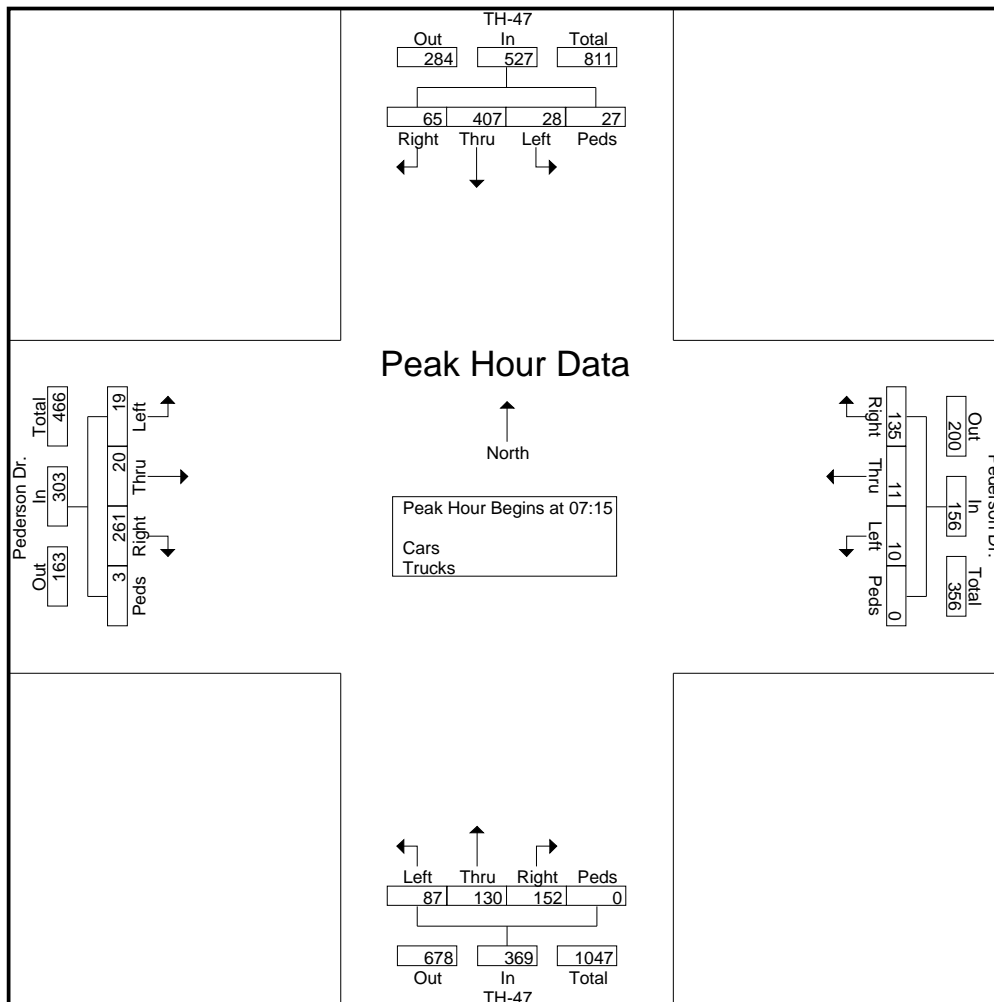
Saint Paul, MN 55127

-- TRAFFIC DATA --

Location: TH-47 at Pederson Dr  
 Ref. Pt: 034+00.802  
 Data Prepared By: ACS  
 TURNING MOVEMENT COUNT

File Name : TH-47 at Pederson Dr\_2018  
 Site Code :  
 Start Date : 5/15/2018  
 Page No : 3

Start Time	TH-47 Southbound					Pederson Dr. Westbound					TH-47 Northbound					Pederson Dr. Eastbound					Int. Total
	Left	Thru	Right	Peds	App. Total	Left	Thru	Right	Peds	App. Total	Left	Thru	Right	Peds	App. Total	Left	Thru	Right	Peds	App. Total	
Peak Hour Analysis From 06:00 to 11:45 - Peak 1 of 1																					
Peak Hour for Entire Intersection Begins at 07:15																					
07:15	7	106	19	15	147	0	1	16	0	17	16	33	36	0	85	6	2	69	2	79	328
07:30	11	97	10	8	126	6	1	55	0	62	16	36	57	0	109	3	10	56	1	70	367
07:45	9	116	22	2	149	2	8	57	0	67	21	37	51	0	109	7	6	75	0	88	413
08:00	1	88	14	2	105	2	1	7	0	10	34	24	8	0	66	3	2	61	0	66	247
Total Volume	28	407	65	27	527	10	11	135	0	156	87	130	152	0	369	19	20	261	3	303	1355
% App. Total	5.3	77.2	12.3	5.1		6.4	7.1	86.5	0		23.6	35.2	41.2	0		6.3	6.6	86.1	1		
PHF	.636	.877	.739	.450	.884	.417	.344	.592	.000	.582	.640	.878	.667	.000	.846	.679	.500	.870	.375	.861	.820



# Associated Consulting Services (ACS)

Saint Paul, MN 55127

-- TRAFFIC DATA --

Location: TH-47 at Pederson Dr  
 Ref. Pt: 034+00.802  
 Data Prepared By: ACS  
 TURNING MOVEMENT COUNT

File Name : TH-47 at Pederson Dr\_2018  
 Site Code :  
 Start Date : 5/15/2018  
 Page No : 4

Start Time	TH-47 Southbound					Pederson Dr. Westbound					TH-47 Northbound					Pederson Dr. Eastbound					Int. Total
	Left	Thru	Right	Peds	App. Total	Left	Thru	Right	Peds	App. Total	Left	Thru	Right	Peds	App. Total	Left	Thru	Right	Peds	App. Total	
Peak Hour Analysis From 12:00 to 17:45 - Peak 1 of 1																					
Peak Hour for Entire Intersection Begins at 17:00																					
17:00	0	37	13	2	52	0	0	1	0	1	90	116	1	0	207	8	0	54	2	64	324
17:15	2	40	19	6	67	0	0	2	0	2	87	127	7	0	221	12	2	53	0	67	357
17:30	6	41	8	11	66	3	2	5	3	13	78	95	39	0	212	13	6	57	0	76	367
17:45	8	34	12	4	58	0	2	2	0	4	86	106	25	0	217	19	7	54	0	80	359
Total Volume	16	152	52	23	243	3	4	10	3	20	341	444	72	0	857	52	15	218	2	287	1407
% App. Total	6.6	62.6	21.4	9.5		15	20	50	15		39.8	51.8	8.4	0		18.1	5.2	76	0.7		
PHF	.500	.927	.684	.523	.907	.250	.500	.500	.250	.385	.947	.874	.462	.000	.969	.684	.536	.956	.250	.897	.958

