



MINNESOTA DEPT OF TRANSPORTATION

TRAFFIC DATA COLLECTION - METRO

TH-5 at Powers Blvd / CSAH-17
 Ref.Pt.: 044.883
 Dat by: Westwood Professional Services
 TURN MOVEMENT COUNT

File Name : TH-5 at Powers Blvd 2008
 Site Code : 09052525
 Start Date : 9/25/2008
 Page No : 1

Groups Printed- Unshifted

Start Time	Powers Blvd. / CSAH-17 Southbound				TH-5 Westbound				Powers Blvd. / CSAH-17 Northbound				TH-5 Eastbound				Int. Total
	Left	Thru	Right	Peds	Left	Thru	Right	Peds	Left	Thru	Right	Peds	Left	Thru	Right	Peds	
06:00	17	10	4	0	20	68	2	0	8	14	24	0	10	152	5	0	334
06:15	23	22	4	0	11	73	10	0	7	11	6	0	9	210	6	0	392
06:30	38	26	3	0	16	77	8	0	0	13	9	0	21	257	11	0	479
06:45	30	51	6	0	23	82	4	0	6	32	7	0	12	315	14	0	582
Total	108	109	17	0	70	300	24	0	21	70	46	0	52	934	36	0	1787
07:00	41	36	9	0	10	59	18	0	3	45	15	0	18	349	11	0	614
07:15	58	69	15	0	29	91	13	0	4	39	10	0	25	366	12	0	731
07:30	56	77	15	0	33	114	6	0	5	37	18	0	28	362	5	0	756
07:45	54	93	16	0	53	131	7	0	6	43	16	0	24	376	33	0	852
Total	209	275	55	0	125	395	44	0	18	164	59	0	95	1453	61	0	2953
08:00	45	81	20	0	31	131	7	0	6	41	14	0	43	301	22	0	742
08:15	31	43	22	0	21	143	14	0	1	21	7	0	49	247	4	0	603
08:30	38	50	26	0	16	128	13	0	3	32	9	0	28	222	7	0	572
08:45	35	39	17	0	16	128	13	0	13	34	14	0	27	232	9	0	577
Total	149	213	85	0	84	530	47	0	23	128	44	0	147	1002	42	0	2494
*** BREAK ***																	
11:00	25	21	28	0	12	134	32	0	7	27	0	0	44	210	6	0	546
11:15	31	28	38	0	22	143	48	0	8	39	9	0	51	191	8	0	616
11:30	22	36	52	0	25	148	46	0	9	53	19	0	59	217	8	0	694
11:45	29	50	48	0	26	156	46	0	8	75	27	0	68	194	6	0	733
Total	107	135	166	0	85	581	172	0	32	194	55	0	222	812	28	0	2589
12:00	28	46	48	0	22	181	59	0	5	53	22	0	58	184	7	0	713
12:15	31	60	50	0	28	163	55	0	8	57	27	0	71	188	9	0	747
12:30	36	53	65	0	35	184	39	0	8	49	16	0	56	192	10	0	743
12:45	34	57	66	0	36	167	42	0	6	38	25	0	60	167	11	0	709
Total	129	216	229	0	121	695	195	0	27	197	90	0	245	731	37	0	2912
*** BREAK ***																	
15:00	21	47	55	0	10	233	51	0	23	76	28	0	43	245	11	0	843
15:15	27	39	45	0	19	208	47	0	12	50	27	0	45	208	9	0	736
15:30	25	57	69	0	14	243	62	0	11	68	21	0	44	225	7	0	846
15:45	20	52	63	0	10	259	58	0	20	58	8	0	33	214	10	0	805
Total	93	195	232	0	53	943	218	0	66	252	84	0	165	892	37	0	3230
16:00	19	45	42	0	17	256	58	0	13	39	44	0	47	210	12	0	802
16:15	23	48	57	0	12	274	66	0	21	76	21	0	42	180	4	0	824
16:30	35	57	51	0	20	236	106	0	15	74	36	0	44	243	11	0	928
16:45	38	50	46	0	18	303	55	0	22	80	39	0	65	209	11	0	936
Total	115	200	196	0	67	1069	285	0	71	269	140	0	198	842	38	0	3490
17:00	29	55	73	0	42	275	59	0	15	71	44	0	66	248	10	0	987
17:15	29	67	62	0	56	315	55	0	25	74	31	0	70	229	11	0	1024
17:30	33	79	73	0	46	294	67	0	21	56	21	0	53	230	12	0	985
17:45	39	43	75	0	19	265	69	0	12	85	15	0	52	196	7	0	877
Total	130	244	283	0	163	1149	250	0	73	286	111	0	241	903	40	0	3873
Grand Total	1040	1587	1263	0	768	5662	1235	0	331	1560	629	0	1365	7569	319	0	23328
Apprch %	26.7	40.8	32.5	0	10	73.9	16.1	0	13.1	61.9	25	0	14.8	81.8	3.4	0	
Total %	4.5	6.8	5.4	0	3.3	24.3	5.3	0	1.4	6.7	2.7	0	5.9	32.4	1.4	0	



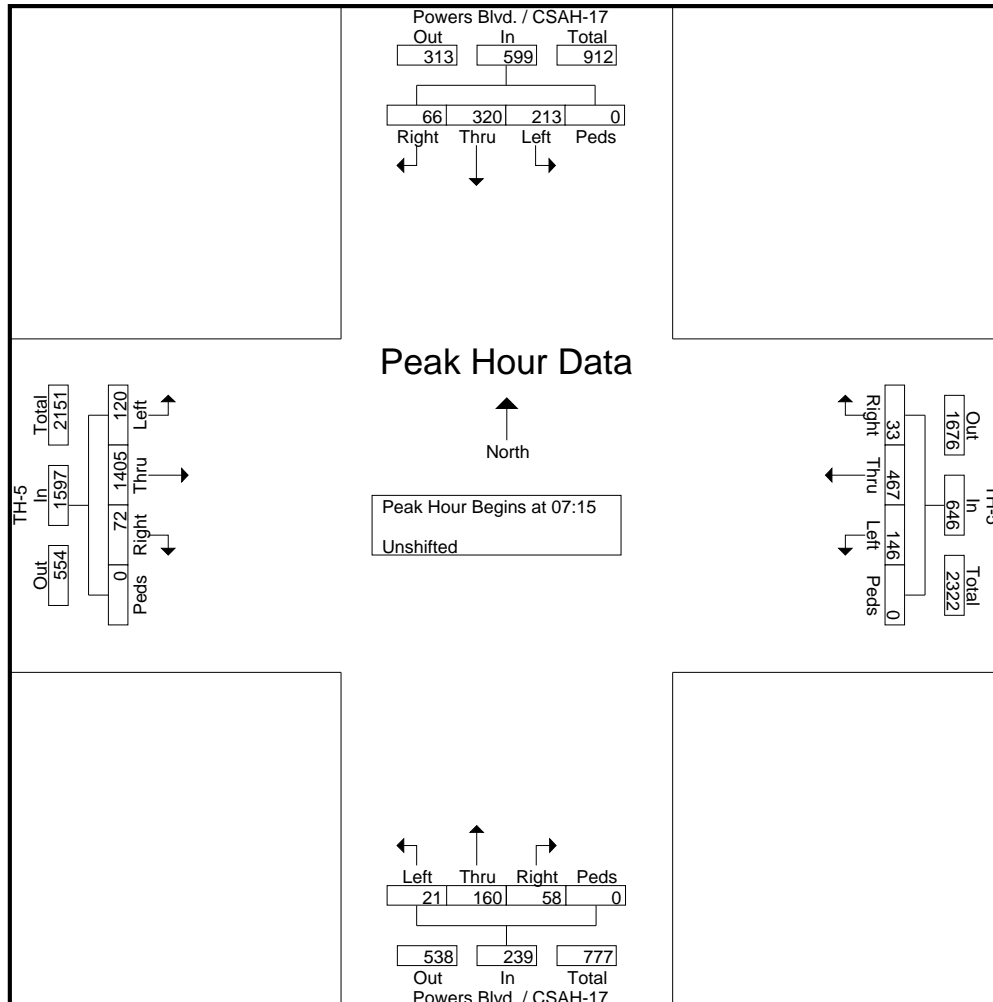
MINNESOTA DEPT OF TRANSPORTATION

TRAFFIC DATA COLLECTION - METRO

TH-5 at Powers Blvd / CSAH-17
 Ref.Pt.: 044.883
 Dat by: Westwood Professional Services
 TURN MOVEMENT COUNT

File Name : TH-5 at Powers Blvd 2008
 Site Code : 09052525
 Start Date : 9/25/2008
 Page No : 2

Start Time	Powers Blvd. / CSAH-17 Southbound					TH-5 Westbound					Powers Blvd. / CSAH-17 Northbound					TH-5 Eastbound					Int. Total
	Left	Thru	Right	Peds	App. Total	Left	Thru	Right	Peds	App. Total	Left	Thru	Right	Peds	App. Total	Left	Thru	Right	Peds	App. Total	
Peak Hour Analysis From 06:00 to 08:45 - Peak 1 of 1																					
Peak Hour for Entire Intersection Begins at 07:15																					
07:15	58	69	15	0	142	29	91	13	0	133	4	39	10	0	53	25	366	12	0	403	731
07:30	56	77	15	0	148	33	114	6	0	153	5	37	18	0	60	28	362	5	0	395	756
07:45	54	93	16	0	163	53	131	7	0	191	6	43	16	0	65	24	376	33	0	433	852
08:00	45	81	20	0	146	31	131	7	0	169	6	41	14	0	61	43	301	22	0	366	742
Total Volume	213	320	66	0	599	146	467	33	0	646	21	160	58	0	239	120	1405	72	0	1597	3081
% App. Total	35.6	53.4	11	0		22.6	72.3	5.1	0		8.8	66.9	24.3	0		7.5	88	4.5	0		
PHF	.918	.860	.825	.000	.919	.689	.891	.635	.000	.846	.875	.930	.806	.000	.919	.698	.934	.545	.000	.922	.904





MINNESOTA DEPT OF TRANSPORTATION

TRAFFIC DATA COLLECTION - METRO

TH-5 at Powers Blvd / CSAH-17
 Ref.Pt.: 044.883
 Dat by: Westwood Professional Services
 TURN MOVEMENT COUNT

File Name : TH-5 at Powers Blvd 2008
 Site Code : 09052525
 Start Date : 9/25/2008
 Page No : 3

Start Time	Powers Blvd. / CSAH-17 Southbound					TH-5 Westbound					Powers Blvd. / CSAH-17 Northbound					TH-5 Eastbound					Int. Total
	Left	Thru	Right	Peds	App. Total	Left	Thru	Right	Peds	App. Total	Left	Thru	Right	Peds	App. Total	Left	Thru	Right	Peds	App. Total	

Peak Hour Analysis From 15:00 to 17:45 - Peak 1 of 1

Peak Hour for Entire Intersection Begins at 16:45

16:45	38	50	46	0	134	18	303	55	0	376	22	80	39	0	141	65	209	11	0	285	936
17:00	29	55	73	0	157	42	275	59	0	376	15	71	44	0	130	66	248	10	0	324	987
17:15	29	67	62	0	158	56	315	55	0	426	25	74	31	0	130	70	229	11	0	310	1024
17:30	33	79	73	0	185	46	294	67	0	407	21	56	21	0	98	53	230	12	0	295	985
Total Volume	129	251	254	0	634	162	1187	236	0	1585	83	281	135	0	499	254	916	44	0	1214	3932
% App. Total	20.3	39.6	40.1	0		10.2	74.9	14.9	0		16.6	56.3	27.1	0		20.9	75.5	3.6	0		
PHF	.849	.794	.870	.000	.857	.723	.942	.881	.000	.930	.830	.878	.767	.000	.885	.907	.923	.917	.000	.937	.960

