



701 Xenia Ave S, Suite 300
 Minneapolis, MN 55416

TH 5 & Victoria St
 7-9am & 4-6pm
 vehicles, heavy trucks, bikes, peds
 day 1

File Name : site 26-TH 5 & Victoria St-day 1
 Site Code : 26
 Start Date : 3/22/2022
 Page No : 1

Groups Printed- vehicles & peds - heavy trucks & bikes

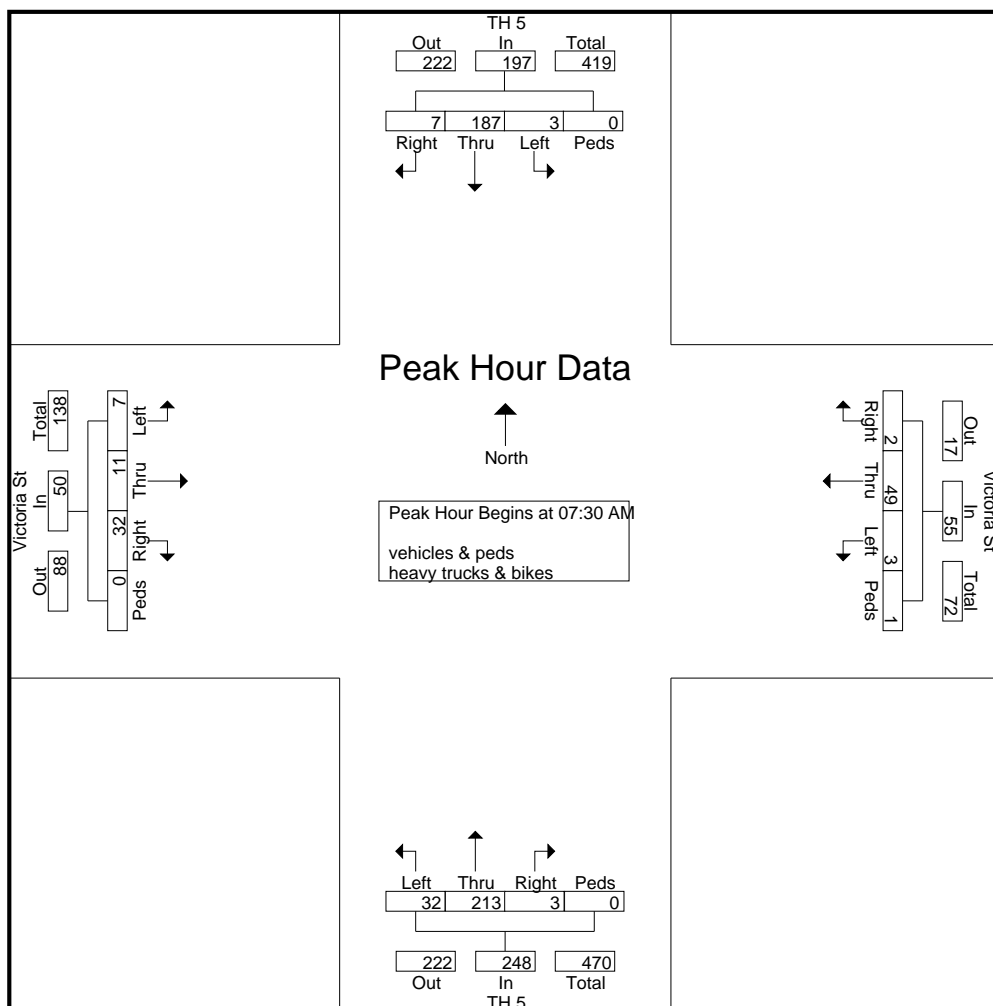
Start Time	TH 5 From North					Victoria St From East					TH 5 From South					Victoria St From West					Int. Total
	Right	Thru	Left	bikes	App. Total	Right	Thru	Left	bikes	App. Total	Right	Thru	Left	bikes	App. Total	Right	Thru	Left	bikes	App. Total	
07:00 AM	1	23	2	0	26	2	12	0	0	14	0	35	5	0	40	5	2	1	0	8	88
07:15 AM	2	28	1	0	31	2	9	0	0	11	0	43	3	0	46	5	3	0	0	8	96
07:30 AM	2	40	0	0	42	0	18	1	0	19	0	50	7	0	57	12	4	2	0	18	136
07:45 AM	1	49	1	0	51	1	12	1	0	14	0	63	6	0	69	10	1	2	0	13	147
Total	6	140	4	0	150	5	51	2	0	58	0	191	21	0	212	32	10	5	0	47	467
08:00 AM	3	44	1	0	48	1	9	1	1	12	1	42	8	0	51	4	2	0	0	6	117
08:15 AM	1	54	1	0	56	0	10	0	0	10	2	58	11	0	71	6	4	3	0	13	150
08:30 AM	3	42	2	0	47	3	6	0	0	9	1	46	15	0	62	12	2	0	0	14	132
08:45 AM	3	42	2	0	47	2	5	0	0	7	0	58	13	0	71	10	5	1	0	16	141
Total	10	182	6	0	198	6	30	1	1	38	4	204	47	0	255	32	13	4	0	49	540
04:00 PM	8	74	3	0	85	2	8	0	0	10	1	85	18	0	104	15	9	5	0	29	228
04:15 PM	6	64	1	0	71	2	6	0	0	8	0	67	10	0	77	8	14	6	0	28	184
04:30 PM	4	76	2	0	82	2	7	0	0	9	0	79	18	0	97	20	8	1	0	29	217
04:45 PM	1	79	3	0	83	0	4	1	0	5	0	85	16	1	102	9	5	5	1	20	210
Total	19	293	9	0	321	6	25	1	0	32	1	316	62	1	380	52	36	17	1	106	839
05:00 PM	5	80	1	1	87	1	6	0	0	7	2	95	17	0	114	10	9	3	0	22	230
05:15 PM	5	73	2	4	84	2	2	2	1	7	0	90	19	0	109	16	11	3	0	30	230
05:30 PM	3	62	1	1	67	1	12	0	0	13	1	101	16	0	118	13	6	1	2	22	220
05:45 PM	6	52	1	3	62	0	5	2	0	7	1	94	18	0	113	11	7	4	1	23	205
Total	19	267	5	9	300	4	25	4	1	34	4	380	70	0	454	50	33	11	3	97	885
Grand Total	54	882	24	9	969	21	131	8	2	162	9	1091	200	1	1301	166	92	37	4	299	2731
Apprch %	5.6	91	2.5	0.9		13	80.9	4.9	1.2		0.7	83.9	15.4	0.1		55.5	30.8	12.4	1.3		
Total %	2	32.3	0.9	0.3	35.5	0.8	4.8	0.3	0.1	5.9	0.3	39.9	7.3	0	47.6	6.1	3.4	1.4	0.1	10.9	
vehicles & peds	54	873	24	9	960	21	131	8	2	162	9	1086	198	1	1294	166	92	37	4	299	2715
% vehicles & peds	100	99	100	100	99.1	100	100	100	100	100	100	99.5	99	100	99.5	100	100	100	100	100	99.4
heavy trucks & bikes	0	9	0	0	9	0	0	0	0	0	0	5	2	0	7	0	0	0	0	0	16
% heavy trucks & bikes	0	1	0	0	0.9	0	0	0	0	0	0	0.5	1	0	0.5	0	0	0	0	0	0.6

TH 5 & Victoria St
7-9am & 4-6pm
vehicles, heavy trucks, bikes, peds
day 1

File Name : site 26-TH 5 & Victoria St-day 1
Site Code : 26
Start Date : 3/22/2022
Page No : 2

Start Time	TH 5 From North					Victoria St From East					TH 5 From South					Victoria St From West					Int. Total
	Rig ht	Thr u	Left	bike s	App. Total	Rig ht	Thr u	Left	bike s	App. Total	Rig ht	Thr u	Left	bike s	App. Total	Rig ht	Thr u	Left	bike s	App. Total	
07:30 AM	2	40	0	0	42	0	18	1	0	19	0	50	7	0	57	12	4	2	0	18	136
07:45 AM	1	49	1	0	51	1	12	1	0	14	0	63	6	0	69	10	1	2	0	13	147
08:00 AM	3	44	1	0	48	1	9	1	1	12	1	42	8	0	51	4	2	0	0	6	117
08:15 AM	1	54	1	0	56	0	10	0	0	10	2	58	11	0	71	6	4	3	0	13	150
Total Volume	7	187	3	0	197	2	49	3	1	55	3	213	32	0	248	32	11	7	0	50	550
% App. Total	3.6	94.9	1.5	0		3.6	89.1	5.5	1.8		1.2	85.9	12.9	0		64	22	14	0		
PHF	.583	.866	.750	.000	.879	.500	.681	.750	.250	.724	.375	.845	.727	.000	.873	.667	.688	.583	.000	.694	.917

Peak Hour Analysis From 07:00 AM to 11:45 AM - Peak 1 of 1
Peak Hour for Entire Intersection Begins at 07:30 AM



TH 5 & Victoria St
7-9am & 4-6pm
vehicles, heavy trucks, bikes, peds
day 1

File Name : site 26-TH 5 & Victoria St-day 1
Site Code : 26
Start Date : 3/22/2022
Page No : 3

Start Time	TH 5 From North					Victoria St From East					TH 5 From South					Victoria St From West					Int. Total
	Rig ht	Thr u	Left	bike s	App. Total	Rig ht	Thr u	Left	bike s	App. Total	Right	Thr u	Left	bikes	App. Total	Right	Thr u	Left	bikes	App. Total	
Peak Hour Analysis From 12:00 PM to 05:45 PM - Peak 1 of 1																					
Peak Hour for Entire Intersection Begins at 04:45 PM																					
04:45 PM	1	79	3	0	83	0	4	1	0	5	0	85	16	1	102	9	5	5	1	20	210
05:00 PM	5	80	1	1	87	1	6	0	0	7	2	95	17	0	114	10	9	3	0	22	230
05:15 PM	5	73	2	4	84	2	2	2	1	7	0	90	19	0	109	16	11	3	0	30	230
05:30 PM	3	62	1	1	67	1	12	0	0	13	1	101	16	0	118	13	6	1	2	22	220
Total Volume	14	294	7	6	321	4	24	3	1	32	3	371	68	1	443	48	31	12	3	94	890
% App. Total	4.4	91.6	2.2	1.9		12.5	75	9.4	3.1		0.7	83.7	15.3	0.2		51.1	33	12.8	3.2		
PHF	.700	.919	.583	.375	.922	.500	.500	.375	.250	.615	.375	.918	.895	.250	.939	.750	.705	.600	.375	.783	.967

