



701 Xenia Ave S, Suite 300
 Minneapolis, MN 55416

TH 5 & Western Ave/Michigan St
 7-9am & 4-6pm
 vehicles, heavy trucks,peds
 day 2

File Name : site 41-TH 5 & Western Ave-Michigan St-day 2
 Site Code : 41
 Start Date : 4/6/2022
 Page No : 1

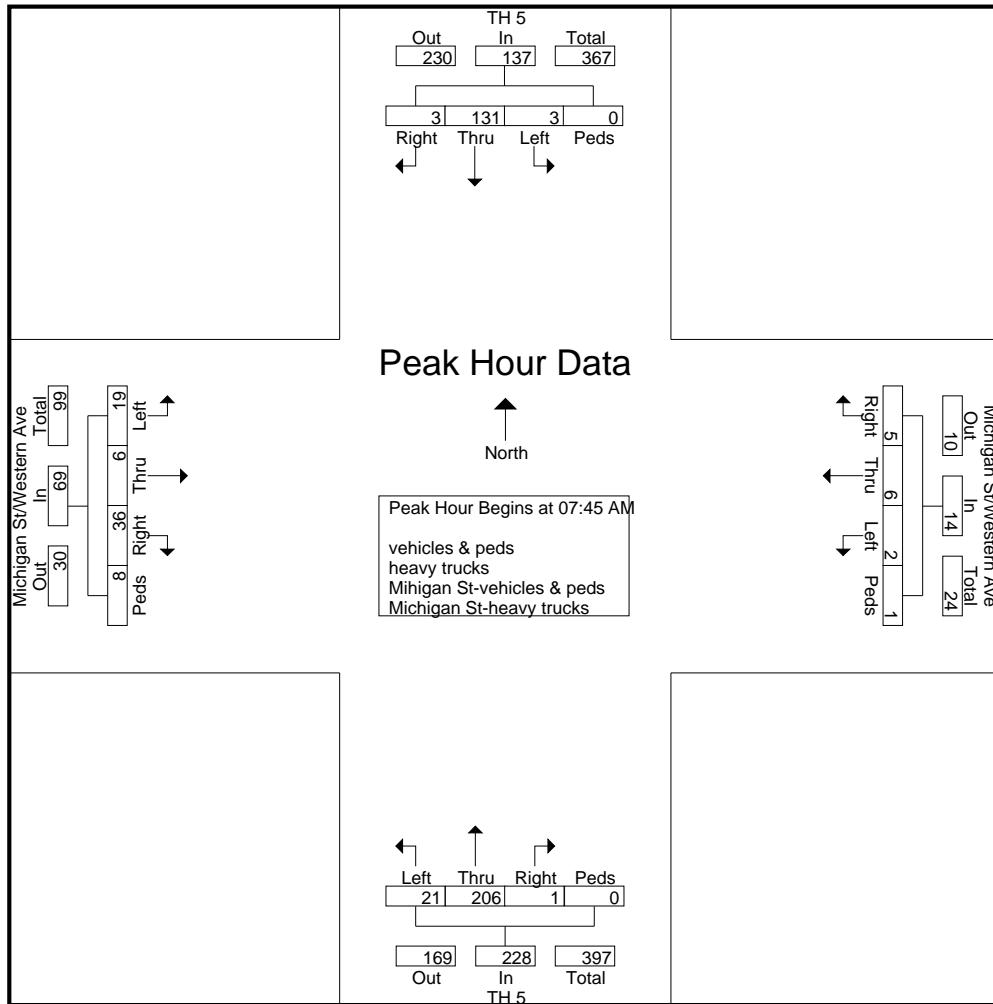
Groups Printed- vehicles & peds - heavy trucks - vehicles & peds - heavy trucks

Start Time	TH 5 From North					Michigan St/Western Ave From East					TH 5 From South					Michigan St/Western Ave From West					Int. Total
	Right	Thru	Left	Peds	App. Total	Right	Thru	Left	Peds	App. Total	Right	Thru	Left	Peds	App. Total	Right	Thru	Left	Peds	App. Total	
07:00 AM	2	16	0	2	20	4	1	0	0	5	0	41	1	0	42	5	0	2	2	9	76
07:15 AM	1	27	1	0	29	2	1	0	0	3	0	54	5	0	59	3	0	5	0	8	99
07:30 AM	1	38	2	2	43	0	2	2	0	4	1	43	5	0	49	4	1	4	1	10	106
07:45 AM	1	32	2	0	35	4	1	1	1	7	0	56	3	0	59	8	2	5	3	18	119
Total	5	113	5	4	127	10	5	3	1	19	1	194	14	0	209	20	3	16	6	45	400
08:00 AM	2	22	0	0	24	0	1	0	0	1	0	43	8	0	51	11	2	3	0	16	92
08:15 AM	0	37	1	0	38	0	1	0	0	1	1	51	8	0	60	8	0	5	3	16	115
08:30 AM	0	40	0	0	40	1	3	1	0	5	0	56	2	0	58	9	2	6	2	19	122
08:45 AM	1	33	0	1	35	1	1	0	0	2	1	46	8	0	55	7	1	6	4	18	110
Total	3	132	1	1	137	2	6	1	0	9	2	196	26	0	224	35	5	20	9	69	439
04:00 PM	3	59	2	0	64	0	0	0	1	1	1	74	5	0	80	9	0	8	2	19	164
04:15 PM	6	68	3	1	78	3	1	0	1	5	1	69	4	0	74	13	1	8	5	27	184
04:30 PM	6	75	1	0	82	7	1	0	1	9	0	69	11	0	80	12	4	8	7	31	202
04:45 PM	6	88	1	1	96	3	1	0	0	4	0	71	9	0	80	12	1	2	5	20	200
Total	21	290	7	2	320	13	3	0	3	19	2	283	29	0	314	46	6	26	19	97	750
05:00 PM	4	75	1	2	82	2	1	0	1	4	0	78	15	1	94	9	2	13	7	31	211
05:15 PM	3	71	7	0	81	2	0	0	0	2	0	95	9	1	105	17	0	4	14	35	223
05:30 PM	6	61	0	2	69	2	0	0	0	2	2	61	10	2	75	10	1	9	8	28	174
05:45 PM	9	62	2	3	76	2	1	1	1	5	2	66	5	1	74	15	3	5	7	30	185
Total	22	269	10	7	308	8	2	1	2	13	4	300	39	5	348	51	6	31	36	124	793
Grand Total	51	804	23	14	892	33	16	5	6	60	9	973	108	5	1095	152	20	93	70	335	2382
Apprch %	5.7	90.1	2.6	1.6		55	26.7	8.3	10		0.8	88.9	9.9	0.5		45.4	6	27.8	20.9		
Total %	2.1	33.8	1	0.6	37.4	1.4	0.7	0.2	0.3	2.5	0.4	40.8	4.5	0.2	46	6.4	0.8	3.9	2.9	14.1	
vehicles & peds	10	803	23	14	850	33	13	5	6	57	9	957	90	5	1061	133	14	54	26	227	2195
% vehicles & peds	19.6	99.9	100	100	95.3	100	81.2	100	100	95	100	98.4	83.3	100	96.9	87.5	70	58.1	37.1	67.8	92.1
heavy trucks	1	1	0	0	2	0	0	0	0	0	0	16	0	0	16	0	0	1	4	5	23
% heavy trucks	2	0.1	0	0	0.2	0	0	0	0	0	0	1.6	0	0	1.5	0	0	1.1	5.7	1.5	1
Michigan St-vehicles & peds	40	0	0	0	40	0	3	0	0	3	0	0	18	0	18	19	6	38	36	99	160
% Michigan St-vehicles & peds	78.4	0	0	0	4.5	0	18.8	0	0	5	0	0	16.7	0	1.6	12.5	30	40.9	51.4	29.6	6.7
Michigan St-heavy trucks	0	0	0	0	0	0	0	0	0	0	0	0	0	0	0	0	0	0	4	4	4
% Michigan St-heavy trucks	0	0	0	0	0	0	0	0	0	0	0	0	0	0	0	0	0	0	5.7	1.2	0.2

TH 5 & Western Ave/Michigan St
 7-9am & 4-6pm
 vehicles, heavy trucks, peds
 day 2

File Name : site 41-TH 5 & Western Ave-Michigan St-day 2
 Site Code : 41
 Start Date : 4/6/2022
 Page No : 2

Start Time	TH 5 From North					Michigan St/Western Ave From East					TH 5 From South					Michigan St/Western Ave From West					Int. Total
	Right	Thru	Left	Peds	App. Total	Right	Thru	Left	Peds	App. Total	Right	Thru	Left	Peds	App. Total	Right	Thru	Left	Peds	App. Total	
Peak Hour Analysis From 07:00 AM to 11:45 AM - Peak 1 of 1																					
Peak Hour for Entire Intersection Begins at 07:45 AM																					
07:45 AM	1	32	2	0	35	4	1	1	1	7	0	56	3	0	59	8	2	5	3	18	119
08:00 AM	2	22	0	0	24	0	1	0	0	1	0	43	8	0	51	11	2	3	0	16	92
08:15 AM	0	37	1	0	38	0	1	0	0	1	1	51	8	0	60	8	0	5	3	16	115
08:30 AM	0	40	0	0	40	1	3	1	0	5	0	56	2	0	58	9	2	6	2	19	122
Total Volume	3	131	3	0	137	5	6	2	1	14	1	206	21	0	228	36	6	19	8	69	448
% App. Total	2.2	95.6	2.2	0		35.7	42.9	14.3	7.1		0.4	90.4	9.2	0		52.2	8.7	27.5	11.6		
PHF	.375	.819	.375	.000	.856	.313	.500	.500	.250	.500	.250	.920	.656	.000	.950	.818	.750	.792	.667	.908	.918



TH 5 & Western Ave/Michigan St
7-9am & 4-6pm
vehicles, heavy trucks, peds
day 2

File Name : site 41-TH 5 & Western Ave-Michigan St-day 2
Site Code : 41
Start Date : 4/6/2022
Page No : 3

Start Time	TH 5 From North					Michigan St/Western Ave From East					TH 5 From South					Michigan St/Western Ave From West					Int. Total
	Rig ht	Thr u	Left	Ped s	App. Total	Rig ht	Thr u	Left	Ped s	App. Total	Right	Thr u	Left	Peds	App. Total	Right	Thr u	Left	Peds	App. Total	
Peak Hour Analysis From 12:00 PM to 05:45 PM - Peak 1 of 1																					
Peak Hour for Entire Intersection Begins at 04:30 PM																					
04:30 PM	6	75	1	0	82	7	1	0	1	9	0	69	11	0	80	12	4	8	7	31	202
04:45 PM	6	88	1	1	96	3	1	0	0	4	0	71	9	0	80	12	1	2	5	20	200
05:00 PM	4	75	1	2	82	2	1	0	1	4	0	78	15	1	94	9	2	13	7	31	211
05:15 PM	3	71	7	0	81	2	0	0	0	2	0	95	9	1	105	17	0	4	14	35	223
Total Volume	19	309	10	3	341	14	3	0	2	19	0	313	44	2	359	50	7	27	33	117	836
% App. Total	5.6	90.6	2.9	0.9		73.7	15.8	0	10.5		0	87.2	12.3	0.6		42.7	6	23.1	28.2		
PHF	.792	.878	.357	.375	.888	.500	.750	.000	.500	.528	.000	.824	.733	.500	.855	.735	.438	.519	.589	.836	.937

