



MINNESOTA DEPT OF TRANSPORTATION

TRAFFIC DATA COLLECTION - METRO

Counted By: Robert & Dorothy
 Day of the Week: Wednesday
 Location: TH 55 & Vicksburg
 Project #: 5764

File Name : TH 55 @ VICKSBURG LANE 2006
 Site Code : 07260722
 Start Date : 7/26/2006
 Page No : 1

Groups Printed- Unshifted

Start Time	Vicksburg Southbound					TH 55 Westbound					Vicksburg Northbound					TH 55 Eastbound					Int. Total
	Left	Thru	Right	Peds	App. Total	Left	Thru	Right	Peds	App. Total	Left	Thru	Right	Peds	App. Total	Left	Thru	Right	Peds	App. Total	
06:00	13	20	4	0	37	19	57	9	0	85	4	8	6	0	18	6	299	18	0	323	463
06:15	15	26	6	0	47	18	89	8	0	115	5	11	4	0	20	4	403	34	1	442	624
06:30	25	43	2	0	70	19	134	11	0	164	6	14	3	0	23	14	451	35	11	511	768
06:45	32	54	4	0	90	20	135	28	0	183	17	23	11	0	51	16	435	55	3	509	833
Total	85	143	16	0	244	76	415	56	0	547	32	56	24	0	112	40	1588	142	15	1785	2688
07:00	36	68	13	0	117	14	133	22	0	169	14	21	15	0	50	14	450	53	0	517	853
07:15	35	88	12	0	135	12	143	23	0	178	6	34	12	0	52	14	451	71	0	536	901
07:30	44	116	16	0	176	16	172	22	0	210	16	35	28	0	79	16	404	56	19	495	960
07:45	36	86	13	0	135	23	153	22	0	198	23	47	20	0	90	23	431	96	7	557	980
Total	151	358	54	0	563	65	601	89	0	755	59	137	75	0	271	67	1736	276	26	2105	3694
08:00	36	96	11	0	143	38	174	29	0	241	16	40	22	2	80	73	294	64	6	437	901
08:15	31	69	11	0	111	26	164	30	0	220	21	47	19	0	87	19	297	55	0	371	789
08:30	31	70	11	0	112	25	154	30	0	209	20	45	23	0	88	22	271	61	0	354	763
08:45	33	74	19	0	126	35	142	30	0	207	18	81	28	0	127	23	224	38	1	286	746
Total	131	309	52	0	492	124	634	119	0	877	75	213	92	2	382	137	1086	218	7	1448	3199
11:00	41	56	13	0	110	46	185	54	0	285	31	67	19	0	117	53	195	35	0	283	795
11:15	54	63	21	1	139	36	145	57	0	238	35	92	36	0	163	28	189	43	0	260	800
11:30	40	69	23	0	132	38	181	64	0	283	37	95	31	0	163	44	192	38	0	274	852
11:45	49	84	22	0	155	67	195	61	0	323	34	80	32	0	146	45	173	52	0	270	894
Total	184	272	79	1	536	187	706	236	0	1129	137	334	118	0	589	170	749	168	0	1087	3341
12:00	31	90	22	0	143	66	211	85	0	362	44	104	39	0	187	72	222	45	0	339	1031
12:15	36	94	21	0	151	54	185	61	0	300	46	112	45	0	203	78	179	43	0	300	954
12:30	82	77	25	0	184	53	215	61	0	329	35	87	49	1	172	32	199	39	1	271	956
12:45	53	101	27	0	181	62	171	50	0	283	52	87	49	0	188	54	184	43	0	281	933
Total	202	362	95	0	659	235	782	257	0	1274	177	390	182	1	750	236	784	170	1	1191	3874
15:00	30	47	19	0	96	50	323	46	0	419	51	76	32	0	159	26	169	24	0	219	893
15:15	29	79	35	0	143	50	301	56	0	407	62	107	37	0	206	27	179	23	1	230	986
15:30	44	97	40	0	181	40	403	56	0	499	101	136	30	0	267	29	177	23	2	231	1178
15:45	44	70	36	0	150	29	381	46	0	456	63	122	25	0	210	26	135	24	0	185	1001
Total	147	293	130	0	570	169	1408	204	0	1781	277	441	124	0	842	108	660	94	3	865	4058
16:00	30	69	41	0	140	53	365	48	0	466	78	128	14	0	220	22	146	13	0	181	1007
16:15	21	85	41	0	147	39	396	47	0	482	87	113	17	0	217	23	164	30	0	217	1063
16:30	34	82	56	0	172	36	416	55	0	507	111	158	27	0	296	39	145	28	0	212	1187
16:45	14	70	68	0	152	31	435	68	0	534	93	143	31	0	267	35	155	33	1	224	1177
Total	99	306	206	0	611	159	1612	218	0	1989	369	542	89	0	1000	119	610	104	1	834	4434
17:00	46	93	42	0	181	33	378	58	0	469	103	156	10	0	269	27	154	29	0	210	1129
17:15	34	85	56	0	175	39	397	57	0	493	103	169	16	0	288	36	138	28	1	203	1159
17:30	23	98	37	0	158	31	361	68	0	460	101	153	28	0	282	46	161	35	0	242	1142
17:45	23	107	45	0	175	38	363	61	0	462	68	167	24	0	259	50	150	34	0	234	1130
Total	126	383	180	0	689	141	1499	244	0	1884	375	645	78	0	1098	159	603	126	1	889	4560
Grand Total	1125	2426	812	1	4364	1156	7657	1423	0	10236	1501	2758	782	3	5044	1036	7816	1298	54	10204	29848
Apprch %	25.8	55.6	18.6	0		11.3	74.8	13.9	0		29.8	54.7	15.5	0.1		10.2	76.6	12.7	0.5		
Total %	3.8	8.1	2.7	0	14.6	3.9	25.7	4.8	0	34.3	5	9.2	2.6	0	16.9	3.5	26.2	4.3	0.2	34.2	



MINNESOTA DEPT OF TRANSPORTATION

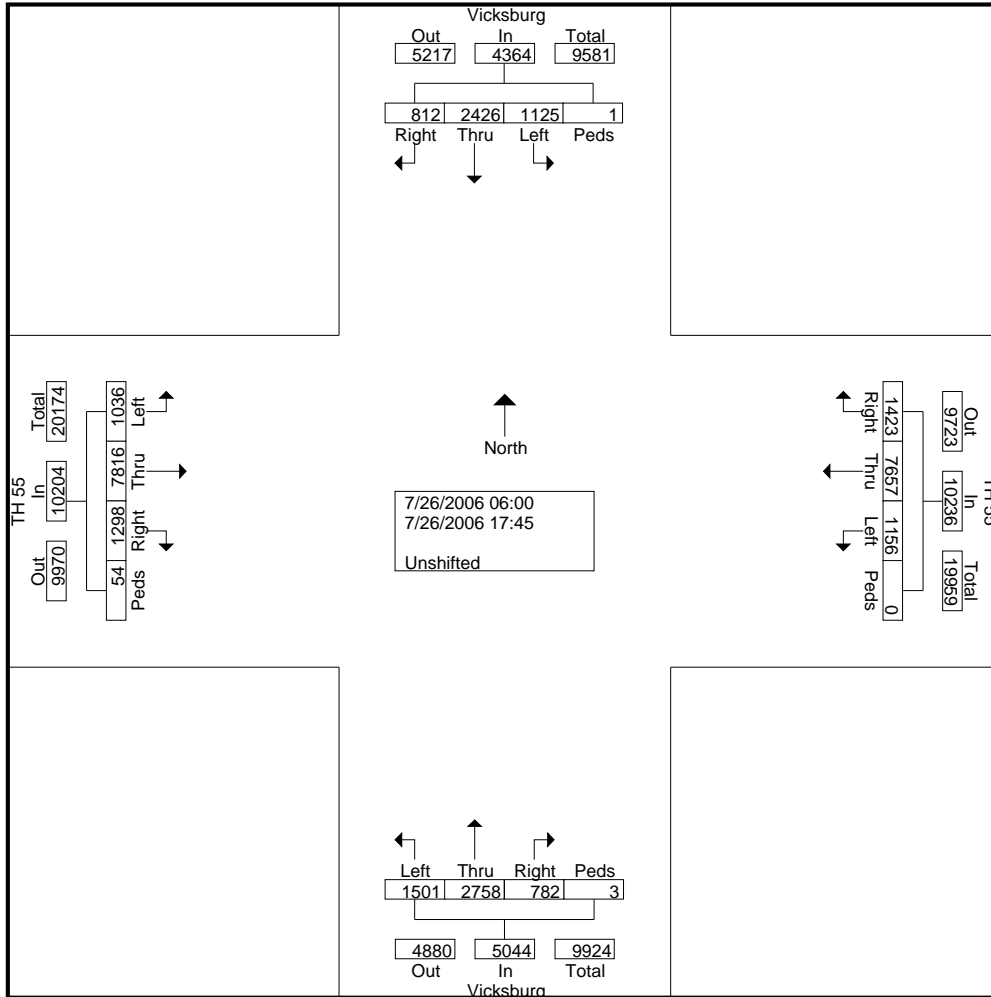
TRAFFIC DATA COLLECTION - METRO

File Name : TH 55 @ VICKSBURG LANE 2006

Site Code : 07260722

Start Date : 7/26/2006

Page No : 2



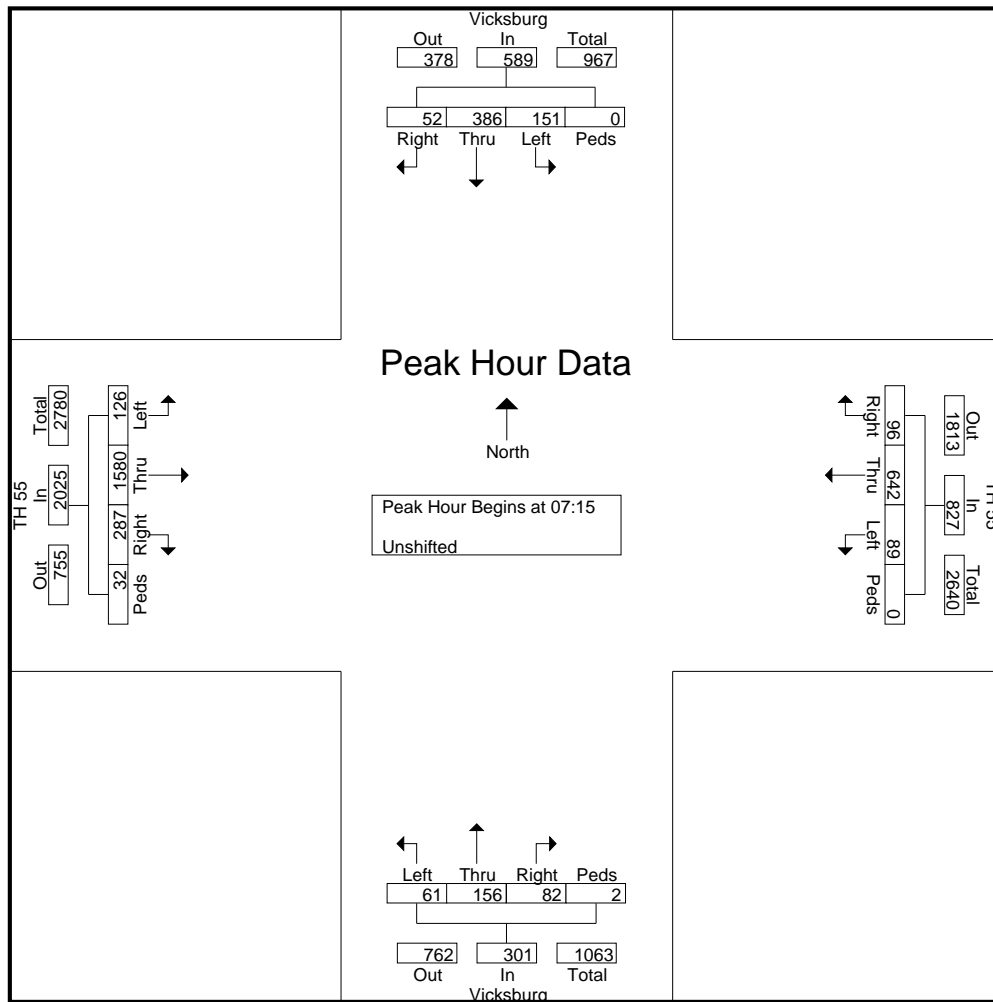


MINNESOTA DEPT OF TRANSPORTATION

TRAFFIC DATA COLLECTION - METRO

File Name : TH 55 @ VICKSBURG LANE 2006
 Site Code : 07260722
 Start Date : 7/26/2006
 Page No : 3

Start Time	Vicksburg Southbound					TH 55 Westbound					Vicksburg Northbound					TH 55 Eastbound					Int. Total
	Left	Thru	Right	Peds	App. Total	Left	Thru	Right	Peds	App. Total	Left	Thru	Right	Peds	App. Total	Left	Thru	Right	Peds	App. Total	
Peak Hour Analysis From 06:00 to 09:45 - Peak 1 of 1																					
Peak Hour for Entire Intersection Begins at 07:15																					
07:15	35	88	12	0	135	12	143	23	0	178	6	34	12	0	52	14	451	71	0	536	901
07:30	44	116	16	0	176	16	172	22	0	210	16	35	28	0	79	16	404	56	19	495	960
07:45	36	86	13	0	135	23	153	22	0	198	23	47	20	0	90	23	431	96	7	557	980
08:00	36	96	11	0	143	38	174	29	0	241	16	40	22	2	80	73	294	64	6	437	901
Total Volume	151	386	52	0	589	89	642	96	0	827	61	156	82	2	301	126	1580	287	32	2025	3742
% App. Total	25.6	65.5	8.8	0		10.8	77.6	11.6	0		20.3	51.8	27.2	0.7		6.2	78	14.2	1.6		
PHF	.858	.832	.813	.000	.837	.586	.922	.828	.000	.858	.663	.830	.732	.250	.836	.432	.876	.747	.421	.909	.955





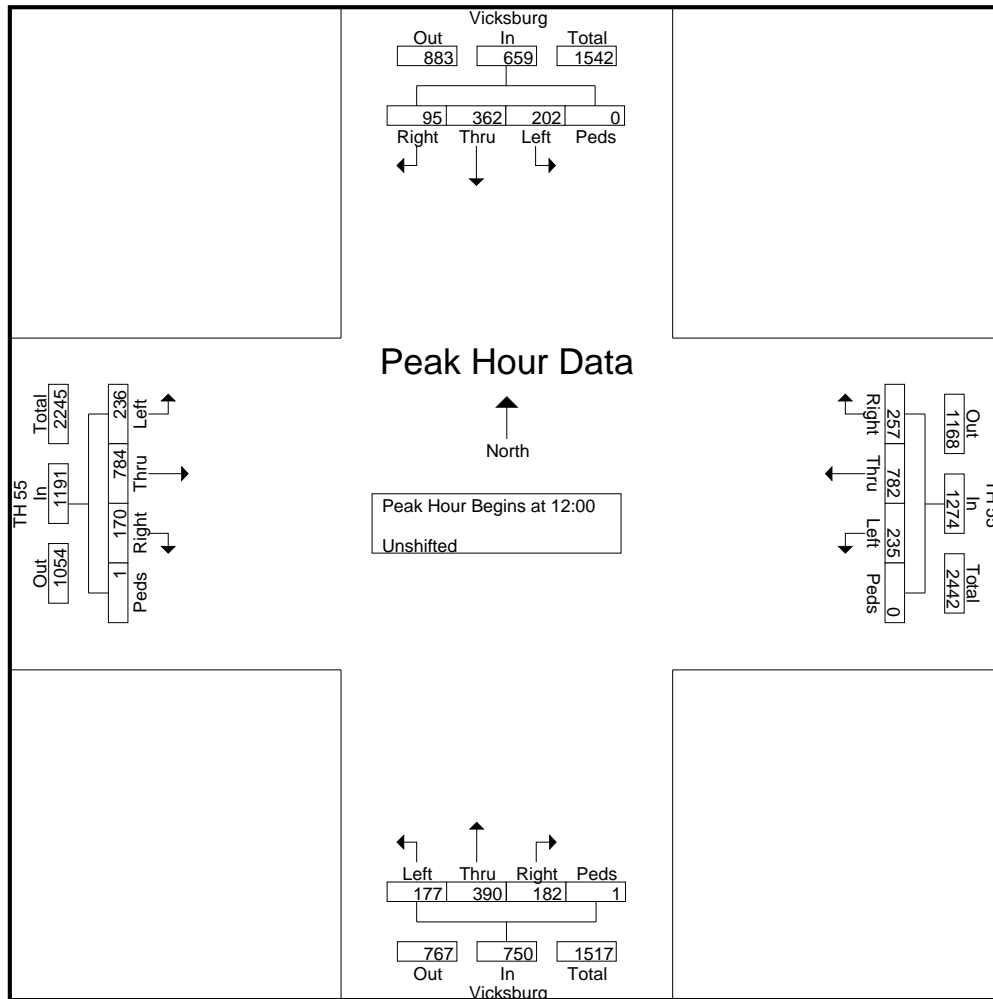
MINNESOTA DEPT OF TRANSPORTATION

TRAFFIC DATA COLLECTION - METRO

File Name : TH 55 @ VICKSBURG LANE 2006
 Site Code : 07260722
 Start Date : 7/26/2006
 Page No : 4

Start Time	Vicksburg Southbound					TH 55 Westbound					Vicksburg Northbound					TH 55 Eastbound					Int. Total
	Left	Thru	Right	Peds	App. Total	Left	Thru	Right	Peds	App. Total	Left	Thru	Right	Peds	App. Total	Left	Thru	Right	Peds	App. Total	
12:00	31	90	22	0	143	66	211	85	0	362	44	104	39	0	187	72	222	45	0	339	1031
12:15	36	94	21	0	151	54	185	61	0	300	46	112	45	0	203	78	179	43	0	300	954
12:30	82	77	25	0	184	53	215	61	0	329	35	87	49	1	172	32	199	39	1	271	956
12:45	53	101	27	0	181	62	171	50	0	283	52	87	49	0	188	54	184	43	0	281	933
Total Volume	202	362	95	0	659	235	782	257	0	1274	177	390	182	1	750	236	784	170	1	1191	3874
% App. Total	30.7	54.9	14.4	0		18.4	61.4	20.2	0		23.6	52	24.3	0.1		19.8	65.8	14.3	0.1		
PHF	.616	.896	.880	.000	.895	.890	.909	.756	.000	.880	.851	.871	.929	.250	.924	.756	.883	.944	.250	.878	.939

Peak Hour Analysis From 10:00 to 13:45 - Peak 1 of 1
 Peak Hour for Entire Intersection Begins at 12:00





MINNESOTA DEPT OF TRANSPORTATION

TRAFFIC DATA COLLECTION - METRO

File Name : TH 55 @ VICKSBURG LANE 2006
 Site Code : 07260722
 Start Date : 7/26/2006
 Page No : 5

Start Time	Vicksburg Southbound					TH 55 Westbound					Vicksburg Northbound					TH 55 Eastbound					Int. Total
	Left	Thru	Right	Peds	App. Total	Left	Thru	Right	Peds	App. Total	Left	Thru	Right	Peds	App. Total	Left	Thru	Right	Peds	App. Total	
16:30	34	82	56	0	172	36	416	55	0	507	111	158	27	0	296	39	145	28	0	212	1187
16:45	14	70	68	0	152	31	435	68	0	534	93	143	31	0	267	35	155	33	1	224	1177
17:00	46	93	42	0	181	33	378	58	0	469	103	156	10	0	269	27	154	29	0	210	1129
17:15	34	85	56	0	175	39	397	57	0	493	103	169	16	0	288	36	138	28	1	203	1159
Total Volume	128	330	222	0	680	139	1626	238	0	2003	410	626	84	0	1120	137	592	118	2	849	4652
% App. Total	18.8	48.5	32.6	0		6.9	81.2	11.9	0		36.6	55.9	7.5	0		16.1	69.7	13.9	0.2		
PHF	.696	.887	.816	.000	.939	.891	.934	.875	.000	.938	.923	.926	.677	.000	.946	.878	.955	.894	.500	.948	.980

Peak Hour Analysis From 14:00 to 17:45 - Peak 1 of 1
 Peak Hour for Entire Intersection Begins at 16:30

