



MINNESOTA DEPT OF TRANSPORTATION

TRAFFIC DATA COLLECTION - METRO

Counted By: Arlene & Ann
 Day of the Week: Wednesday
 Location: TH 55 & Plymouth Blvd
 Project #: 5764

File Name : TH 55 @ PLYMOUTH BLVD 2006
 Site Code : 07260919
 Start Date : 7/26/2006
 Page No : 1

Groups Printed- Unshifted

Start Time	Plymouth Blvd Southbound					TH 55 Westbound					Plymouth Blvd Northbound					TH 55 Eastbound					Int. Total
	Left	Thru	Right	Peds	App. Total	Left	Thru	Right	Peds	App. Total	Left	Thru	Right	Peds	App. Total	Left	Thru	Right	Peds	App. Total	
06:00	15	6	0	0	21	36	73	21	0	130	5	2	8	0	15	4	263	32	0	299	465
06:15	15	15	2	0	32	40	118	8	0	166	1	6	4	0	11	2	401	51	0	454	663
06:30	35	13	1	0	49	40	177	14	0	231	4	3	8	0	15	4	453	47	0	504	799
06:45	39	24	4	0	67	75	183	42	0	300	2	9	16	0	27	5	457	55	0	517	911
Total	104	58	7	0	169	191	551	85	0	827	12	20	36	0	68	15	1574	185	0	1774	2838
07:00	52	26	2	0	80	45	142	31	0	218	4	4	15	0	23	7	502	36	0	545	866
07:15	42	28	2	0	72	47	172	31	0	250	3	11	6	0	20	6	508	56	0	570	912
07:30	48	39	2	0	89	57	158	33	0	248	12	13	18	0	43	8	510	49	0	567	947
07:45	49	48	10	0	107	75	179	40	0	294	11	12	9	0	32	8	447	54	0	509	942
Total	191	141	16	0	348	224	651	135	0	1010	30	40	48	0	118	29	1967	195	0	2191	3667
08:00	49	29	8	0	86	48	200	58	0	306	6	7	3	0	16	3	458	37	0	498	906
08:15	42	19	8	0	69	39	188	41	0	268	10	8	6	0	24	10	403	30	0	443	804
08:30	47	22	6	0	75	37	155	51	0	243	9	9	9	0	27	8	337	18	0	363	708
08:45	41	18	9	0	68	34	204	45	0	283	4	20	5	0	29	13	365	16	0	394	774
Total	179	88	31	0	298	158	747	195	0	1100	29	44	23	0	96	34	1563	101	0	1698	3192
11:00	42	11	10	0	63	28	209	45	0	282	20	29	34	0	83	6	268	7	0	281	709
11:15	65	16	9	0	90	36	211	62	0	309	17	26	28	0	71	20	271	19	0	310	780
11:30	60	18	12	0	90	36	248	61	0	345	44	46	15	0	105	19	279	8	0	306	846
11:45	65	24	15	0	104	38	240	50	0	328	32	45	50	0	127	24	257	27	0	308	867
Total	232	69	46	0	347	138	908	218	0	1264	113	146	127	0	386	69	1075	61	0	1205	3202
12:00	73	33	16	0	122	23	261	89	0	373	31	57	39	0	127	15	304	26	0	345	967
12:15	64	29	14	0	107	45	245	62	0	352	25	30	47	0	102	16	296	24	0	336	897
12:30	80	43	17	0	140	45	245	64	0	354	31	28	36	0	95	12	317	36	0	365	954
12:45	72	42	16	0	130	31	241	59	0	331	5	35	49	0	89	24	294	40	0	358	908
Total	289	147	63	0	499	144	992	274	0	1410	92	150	171	0	413	67	1211	126	0	1404	3726
15:00	51	19	16	0	86	31	308	61	0	400	59	24	43	0	126	7	267	10	0	284	896
15:15	51	18	12	0	81	16	294	58	0	368	50	36	56	0	142	10	278	11	0	299	890
15:30	34	10	14	0	58	30	327	64	0	421	81	51	61	0	193	17	341	8	0	366	1038
15:45	53	17	12	0	82	18	345	81	0	444	34	24	47	1	106	13	256	8	0	277	909
Total	189	64	54	0	307	95	1274	264	0	1633	224	135	207	1	567	47	1142	37	0	1226	3733
16:00	51	11	17	0	79	4	321	81	0	406	74	51	84	0	209	14	278	11	0	303	997
16:15	51	16	15	0	82	2	398	73	0	473	57	51	46	0	154	11	259	6	0	276	985
16:30	64	22	19	0	105	18	392	80	0	490	104	61	67	0	232	15	272	4	0	291	1118
16:45	62	19	23	0	104	17	402	86	0	505	58	67	37	0	162	17	272	6	0	295	1066
Total	228	68	74	0	370	41	1513	320	0	1874	293	230	234	0	757	57	1081	27	0	1165	4166
17:00	76	11	24	0	111	11	341	81	0	433	85	98	63	0	246	8	282	4	0	294	1084
17:15	61	12	14	0	87	9	390	92	0	491	76	42	38	0	156	14	267	5	0	286	1020
17:30	60	13	16	0	89	10	363	89	0	462	38	37	45	0	120	16	266	6	0	288	959
17:45	56	16	16	0	88	18	413	69	0	500	21	40	21	0	82	13	224	5	0	242	912
Total	253	52	70	0	375	48	1507	331	0	1886	220	217	167	0	604	51	1039	20	0	1110	3975
Grand Total	1665	687	361	0	2713	1039	8143	1822	0	11004	1013	982	1013	1	3009	369	10652	752	0	11773	28499
Apprch %	61.4	25.3	13.3	0		9.4	74	16.6	0		33.7	32.6	33.7	0		3.1	90.5	6.4	0		
Total %	5.8	2.4	1.3	0	9.5	3.6	28.6	6.4	0	38.6	3.6	3.4	3.6	0	10.6	1.3	37.4	2.6	0	41.3	



MINNESOTA DEPT OF TRANSPORTATION

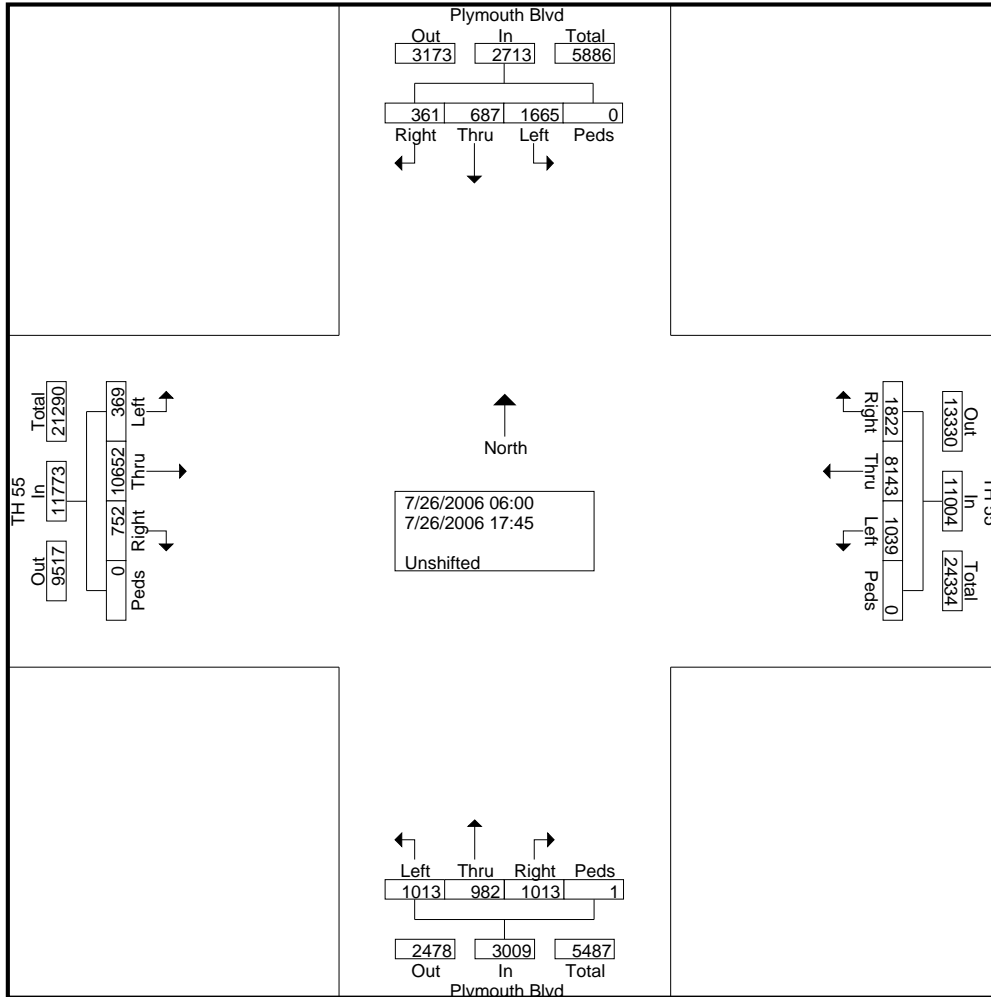
TRAFFIC DATA COLLECTION - METRO

File Name : TH 55 @ PLYMOUTH BLVD 2006

Site Code : 07260919

Start Date : 7/26/2006

Page No : 2



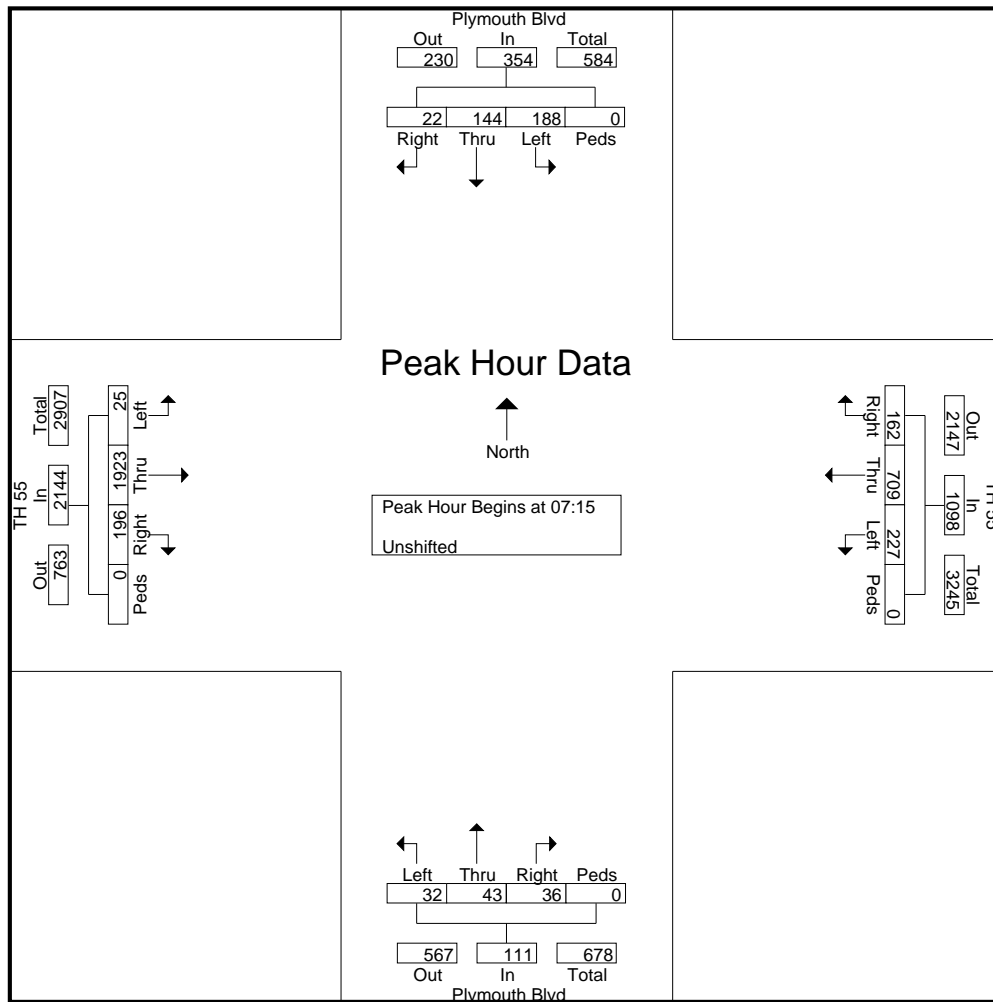


MINNESOTA DEPT OF TRANSPORTATION

TRAFFIC DATA COLLECTION - METRO

File Name : TH 55 @ PLYMOUTH BLVD 2006
 Site Code : 07260919
 Start Date : 7/26/2006
 Page No : 3

Start Time	Plymouth Blvd Southbound					TH 55 Westbound					Plymouth Blvd Northbound					TH 55 Eastbound					Int. Total
	Left	Thru	Right	Peds	App. Total	Left	Thru	Right	Peds	App. Total	Left	Thru	Right	Peds	App. Total	Left	Thru	Right	Peds	App. Total	
Peak Hour Analysis From 06:00 to 09:45 - Peak 1 of 1																					
Peak Hour for Entire Intersection Begins at 07:15																					
07:15	42	28	2	0	72	47	172	31	0	250	3	11	6	0	20	6	508	56	0	570	912
07:30	48	39	2	0	89	57	158	33	0	248	12	13	18	0	43	8	510	49	0	567	947
07:45	49	48	10	0	107	75	179	40	0	294	11	12	9	0	32	8	447	54	0	509	942
08:00	49	29	8	0	86	48	200	58	0	306	6	7	3	0	16	3	458	37	0	498	906
Total Volume	188	144	22	0	354	227	709	162	0	1098	32	43	36	0	111	25	1923	196	0	2144	3707
% App. Total	53.1	40.7	6.2	0		20.7	64.6	14.8	0		28.8	38.7	32.4	0		1.2	89.7	9.1	0		
PHF	.959	.750	.550	.000	.827	.757	.886	.698	.000	.897	.667	.827	.500	.000	.645	.781	.943	.875	.000	.940	.979





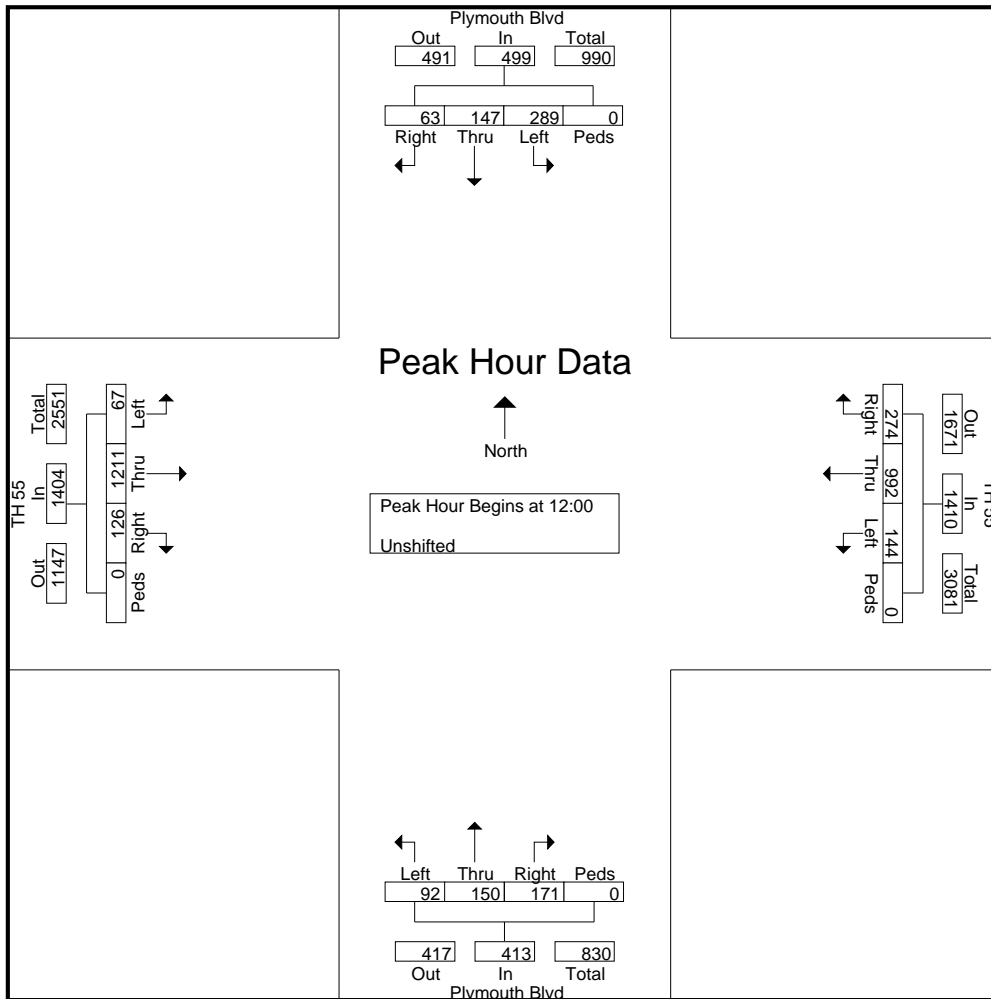
MINNESOTA DEPT OF TRANSPORTATION

TRAFFIC DATA COLLECTION - METRO

File Name : TH 55 @ PLYMOUTH BLVD 2006
 Site Code : 07260919
 Start Date : 7/26/2006
 Page No : 4

Start Time	Plymouth Blvd Southbound					TH 55 Westbound					Plymouth Blvd Northbound					TH 55 Eastbound					Int. Total
	Left	Thru	Right	Peds	App. Total	Left	Thru	Right	Peds	App. Total	Left	Thru	Right	Peds	App. Total	Left	Thru	Right	Peds	App. Total	
12:00	73	33	16	0	122	23	261	89	0	373	31	57	39	0	127	15	304	26	0	345	967
12:15	64	29	14	0	107	45	245	62	0	352	25	30	47	0	102	16	296	24	0	336	897
12:30	80	43	17	0	140	45	245	64	0	354	31	28	36	0	95	12	317	36	0	365	954
12:45	72	42	16	0	130	31	241	59	0	331	5	35	49	0	89	24	294	40	0	358	908
Total Volume	289	147	63	0	499	144	992	274	0	1410	92	150	171	0	413	67	1211	126	0	1404	3726
% App. Total	57.9	29.5	12.6	0		10.2	70.4	19.4	0		22.3	36.3	41.4	0		4.8	86.3	9	0		
PHF	.903	.855	.926	.000	.891	.800	.950	.770	.000	.945	.742	.658	.872	.000	.813	.698	.955	.788	.000	.962	.963

Peak Hour Analysis From 10:00 to 13:45 - Peak 1 of 1
 Peak Hour for Entire Intersection Begins at 12:00





MINNESOTA DEPT OF TRANSPORTATION

TRAFFIC DATA COLLECTION - METRO

File Name : TH 55 @ PLYMOUTH BLVD 2006
 Site Code : 07260919
 Start Date : 7/26/2006
 Page No : 5

Start Time	Plymouth Blvd Southbound					TH 55 Westbound					Plymouth Blvd Northbound					TH 55 Eastbound					Int. Total
	Left	Thru	Right	Peds	App. Total	Left	Thru	Right	Peds	App. Total	Left	Thru	Right	Peds	App. Total	Left	Thru	Right	Peds	App. Total	
16:30	64	22	19	0	105	18	392	80	0	490	104	61	67	0	232	15	272	4	0	291	1118
16:45	62	19	23	0	104	17	402	86	0	505	58	67	37	0	162	17	272	6	0	295	1066
17:00	76	11	24	0	111	11	341	81	0	433	85	98	63	0	246	8	282	4	0	294	1084
17:15	61	12	14	0	87	9	390	92	0	491	76	42	38	0	156	14	267	5	0	286	1020
Total Volume	263	64	80	0	407	55	1525	339	0	1919	323	268	205	0	796	54	1093	19	0	1166	4288
% App. Total	64.6	15.7	19.7	0		2.9	79.5	17.7	0		40.6	33.7	25.8	0		4.6	93.7	1.6	0		
PHF	.865	.727	.833	.000	.917	.764	.948	.921	.000	.950	.776	.684	.765	.000	.809	.794	.969	.792	.000	.988	.959

Peak Hour Analysis From 14:00 to 17:45 - Peak 1 of 1
 Peak Hour for Entire Intersection Begins at 16:30

