



MINNESOTA DEPT OF TRANSPORTATION

TRAFFIC DATA COLLECTION - METRO

Counted By: Robert & Dorothy
 Day of the Week: Tuesday
 Location: TH 55 & Medicine Lake
 Project #: 5764

File Name : TH 55 @ MEDICINE LAKE DR 2006
 Site Code : 08011629
 Start Date : 8/1/2006
 Page No : 1

Groups Printed- Unshifted

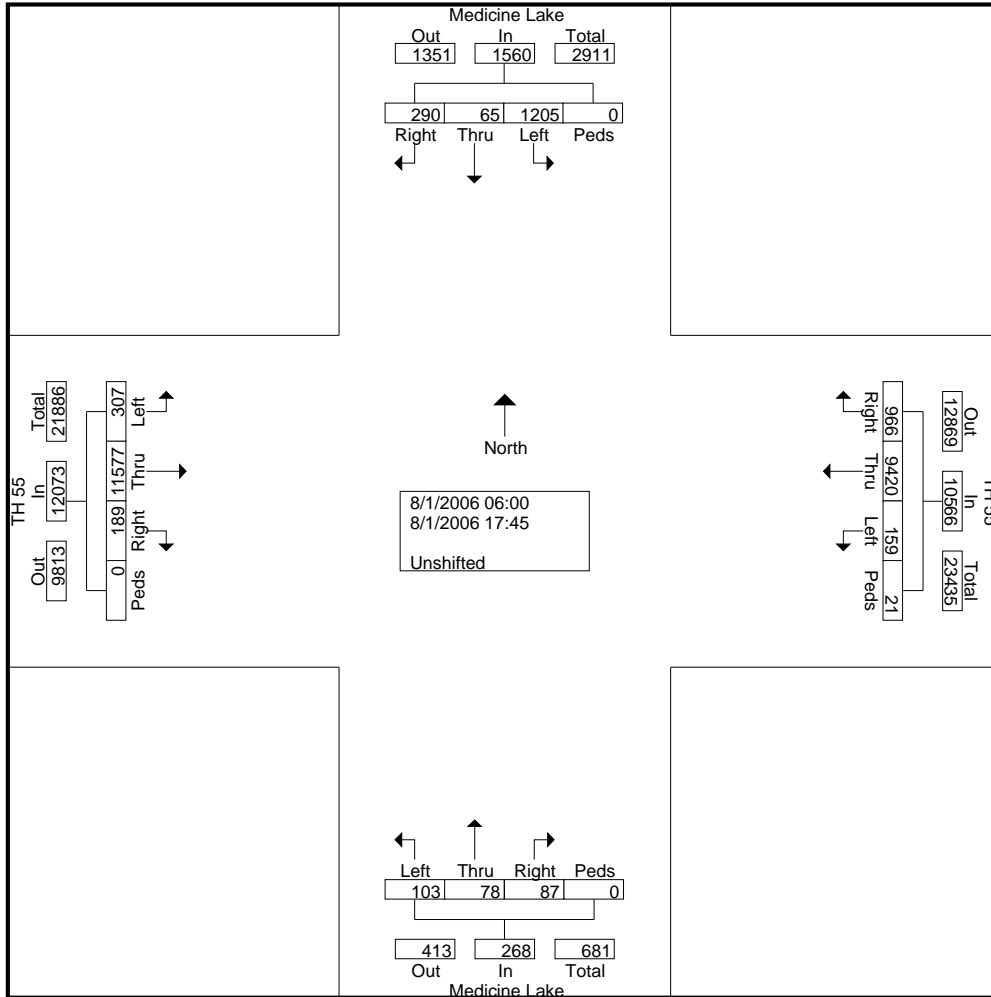
Start Time	Medicine Lake Southbound					TH 55 Westbound					Medicine Lake Northbound					TH 55 Eastbound					Int. Total
	Left	Thru	Right	Peds	App. Total	Left	Thru	Right	Peds	App. Total	Left	Thru	Right	Peds	App. Total	Left	Thru	Right	Peds	App. Total	
06:00	26	6	1	0	33	2	107	3	0	112	0	1	0	0	1	0	167	4	0	171	317
06:15	30	0	7	0	37	2	142	3	0	147	1	0	0	0	1	1	245	0	0	246	431
06:30	43	2	4	0	49	5	178	4	0	187	0	0	0	0	0	0	352	5	0	357	593
06:45	53	3	4	0	60	6	250	4	0	260	1	1	1	0	3	2	396	2	0	400	723
Total	152	11	16	0	179	15	677	14	0	706	2	2	1	0	5	3	1160	11	0	1174	2064
07:00	68	4	5	0	77	3	215	3	0	221	2	0	3	0	5	4	538	21	0	563	866
07:15	90	1	13	0	104	8	248	1	0	257	2	0	1	0	3	0	540	7	0	547	911
07:30	93	3	5	0	101	5	299	7	0	311	0	0	0	0	0	4	588	12	0	604	1016
07:45	109	2	19	0	130	3	325	8	0	336	1	0	0	0	1	12	593	10	0	615	1082
Total	360	10	42	0	412	19	1087	19	0	1125	5	0	4	0	9	20	2259	50	0	2329	3875
08:00	93	3	12	0	108	10	294	3	0	307	3	1	0	0	4	7	536	6	0	549	968
08:15	66	0	15	0	81	6	270	9	0	285	0	1	2	0	3	7	492	7	0	506	875
08:30	40	0	5	0	45	2	271	8	0	281	1	0	0	0	1	2	358	3	0	363	690
08:45	56	2	5	0	63	13	225	6	4	248	0	1	1	0	2	3	326	9	0	338	651
Total	255	5	37	0	297	31	1060	26	4	1121	4	3	3	0	10	19	1712	25	0	1756	3184
11:00	19	1	14	0	34	6	204	13	1	224	0	1	5	0	6	12	237	8	0	257	521
11:15	22	4	5	0	31	3	226	11	1	241	3	4	4	0	11	9	245	7	0	261	544
11:30	23	2	4	0	29	8	230	14	1	253	2	1	3	0	6	13	316	11	0	340	628
11:45	22	2	13	0	37	10	209	24	0	243	4	1	3	0	8	19	280	7	0	306	594
Total	86	9	36	0	131	27	869	62	3	961	9	7	15	0	31	53	1078	33	0	1164	2287
12:00	24	0	16	0	40	7	213	18	0	238	3	3	2	0	8	15	297	2	0	314	600
12:15	24	0	13	0	37	4	222	21	0	247	5	2	2	0	9	6	276	4	0	286	579
12:30	20	7	10	0	37	2	286	21	0	309	12	1	0	0	13	12	291	11	0	314	673
12:45	31	1	9	0	41	3	260	21	0	284	2	4	3	0	9	7	287	7	0	301	635
Total	99	8	48	0	155	16	981	81	0	1078	22	10	7	0	39	40	1151	24	0	1215	2487
15:00	17	1	5	0	23	6	285	39	0	330	5	2	5	0	12	12	273	5	0	290	655
15:15	14	0	11	0	25	2	331	28	3	364	1	2	11	0	14	5	307	1	0	313	716
15:30	17	0	12	0	29	3	381	27	6	417	0	1	6	0	7	8	351	2	0	361	814
15:45	27	1	8	0	36	3	336	34	0	373	9	2	1	0	12	12	324	2	0	338	759
Total	75	2	36	0	113	14	1333	128	9	1484	15	7	23	0	45	37	1255	10	0	1302	2944
16:00	27	3	14	0	44	3	407	54	0	464	1	2	5	0	8	15	379	5	0	399	915
16:15	19	4	8	0	31	5	427	57	0	489	8	4	1	0	13	18	335	2	0	355	888
16:30	23	0	8	0	31	1	469	60	0	530	15	4	1	0	20	20	370	3	0	393	974
16:45	20	1	6	0	27	5	492	78	0	575	5	3	3	0	11	10	400	2	0	412	1025
Total	89	8	36	0	133	14	1795	249	0	2058	29	13	10	0	52	63	1484	12	0	1559	3802
17:00	13	1	8	0	22	3	451	88	4	546	5	9	6	0	20	27	426	5	0	458	1046
17:15	26	7	15	0	48	6	401	99	0	506	8	10	9	0	27	12	373	2	0	387	968
17:30	29	3	11	0	43	4	418	91	1	514	2	6	7	0	15	14	326	9	0	349	921
17:45	21	1	5	0	27	10	348	109	0	467	2	11	2	0	15	19	353	8	0	380	889
Total	89	12	39	0	140	23	1618	387	5	2033	17	36	24	0	77	72	1478	24	0	1574	3824
Grand Total	1205	65	290	0	1560	159	9420	966	21	10566	103	78	87	0	268	307	11577	189	0	12073	24467
Apprch %	77.2	4.2	18.6	0		1.5	89.2	9.1	0.2		38.4	29.1	32.5	0		2.5	95.9	1.6	0		
Total %	4.9	0.3	1.2	0	6.4	0.6	38.5	3.9	0.1	43.2	0.4	0.3	0.4	0	1.1	1.3	47.3	0.8	0	49.3	



MINNESOTA DEPT OF TRANSPORTATION

TRAFFIC DATA COLLECTION - METRO

File Name : TH 55 @ MEDICINE LAKE DR 2006
 Site Code : 08011629
 Start Date : 8/1/2006
 Page No : 2



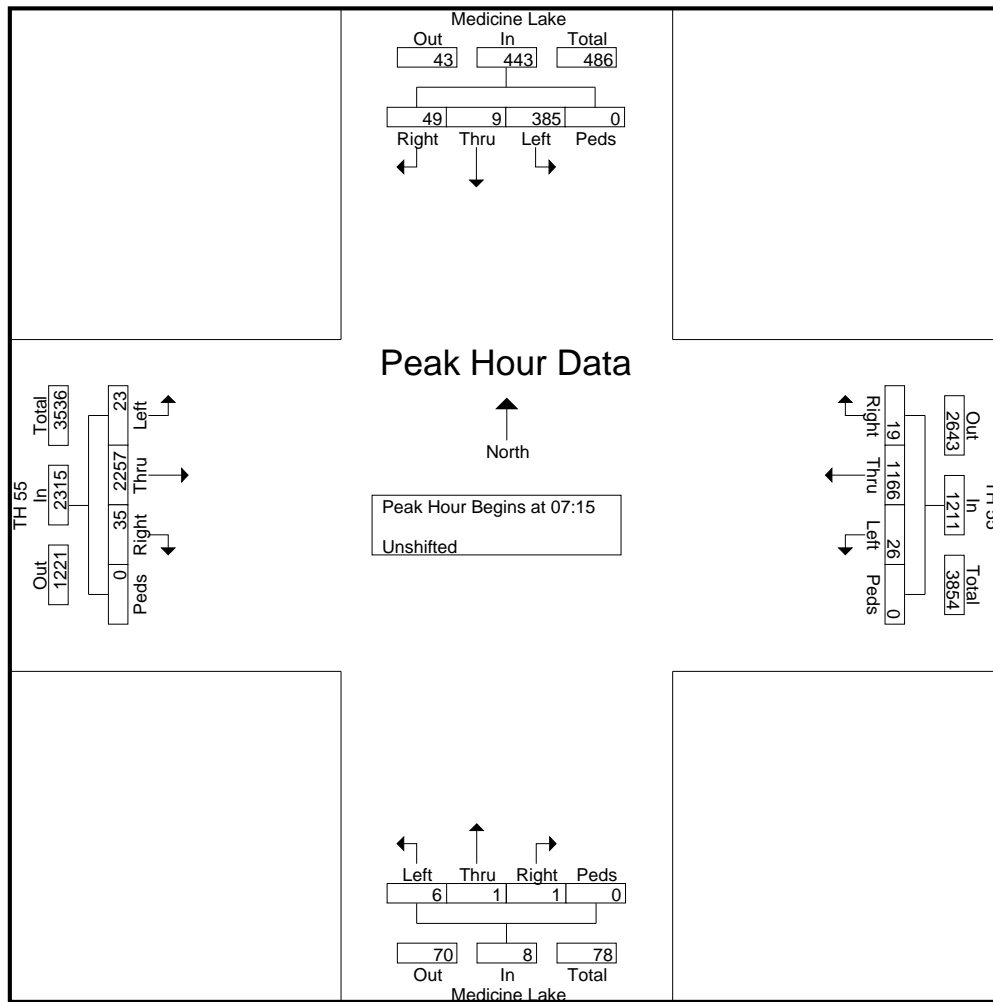


MINNESOTA DEPT OF TRANSPORTATION

TRAFFIC DATA COLLECTION - METRO

File Name : TH 55 @ MEDICINE LAKE DR 2006
 Site Code : 08011629
 Start Date : 8/1/2006
 Page No : 3

Start Time	Medicine Lake Southbound					TH 55 Westbound					Medicine Lake Northbound					TH 55 Eastbound					Int. Total
	Left	Thru	Right	Peds	App. Total	Left	Thru	Right	Peds	App. Total	Left	Thru	Right	Peds	App. Total	Left	Thru	Right	Peds	App. Total	
Peak Hour Analysis From 06:00 to 09:45 - Peak 1 of 1																					
Peak Hour for Entire Intersection Begins at 07:15																					
07:15	90	1	13	0	104	8	248	1	0	257	2	0	1	0	3	0	540	7	0	547	911
07:30	93	3	5	0	101	5	299	7	0	311	0	0	0	0	0	4	588	12	0	604	1016
07:45	109	2	19	0	130	3	325	8	0	336	1	0	0	0	1	12	593	10	0	615	1082
08:00	93	3	12	0	108	10	294	3	0	307	3	1	0	0	4	7	536	6	0	549	968
Total Volume	385	9	49	0	443	26	1166	19	0	1211	6	1	1	0	8	23	2257	35	0	2315	3977
% App. Total	86.9	2	11.1	0		2.1	96.3	1.6	0		75	12.5	12.5	0		1	97.5	1.5	0		
PHF	.883	.750	.645	.000	.852	.650	.897	.594	.000	.901	.500	.250	.250	.000	.500	.479	.952	.729	.000	.941	.919





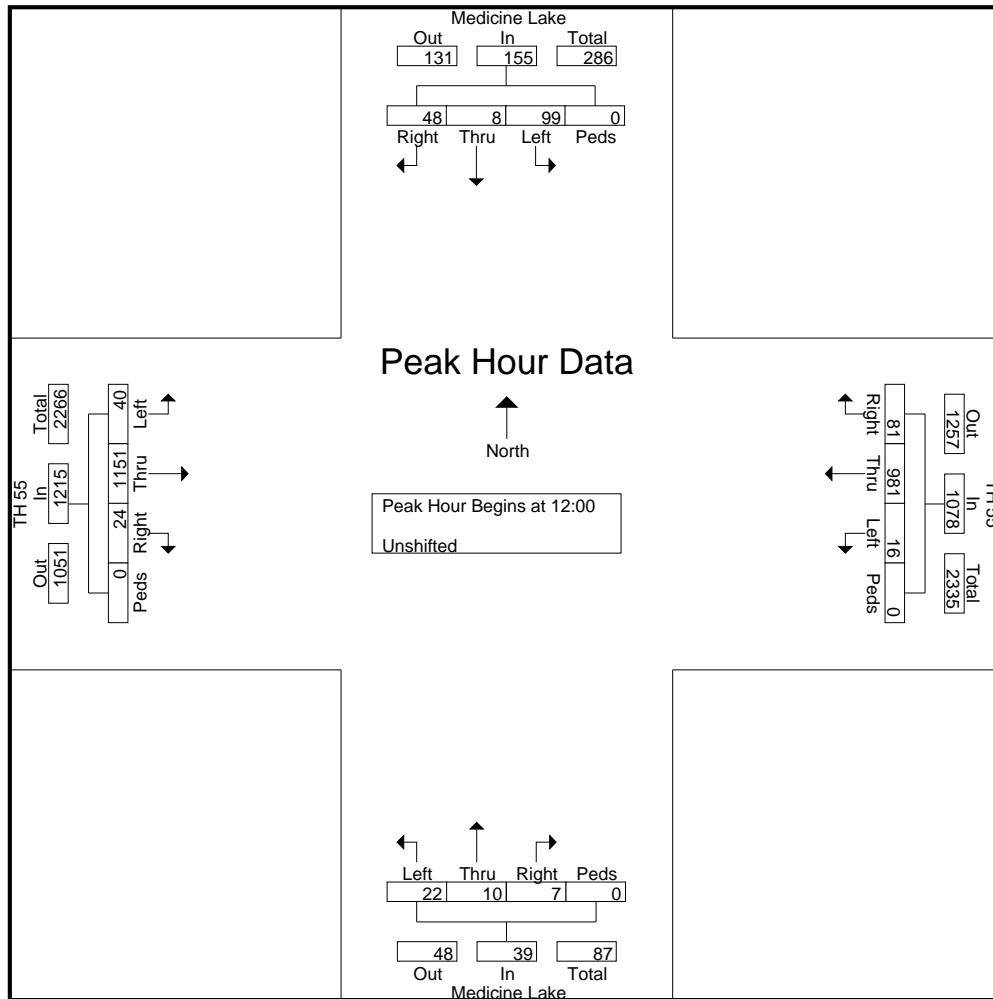
MINNESOTA DEPT OF TRANSPORTATION

TRAFFIC DATA COLLECTION - METRO

File Name : TH 55 @ MEDICINE LAKE DR 2006
 Site Code : 08011629
 Start Date : 8/1/2006
 Page No : 4

Start Time	Medicine Lake Southbound					TH 55 Westbound					Medicine Lake Northbound					TH 55 Eastbound					Int. Total
	Left	Thru	Right	Peds	App. Total	Left	Thru	Right	Peds	App. Total	Left	Thru	Right	Peds	App. Total	Left	Thru	Right	Peds	App. Total	
12:00	24	0	16	0	40	7	213	18	0	238	3	3	2	0	8	15	297	2	0	314	600
12:15	24	0	13	0	37	4	222	21	0	247	5	2	2	0	9	6	276	4	0	286	579
12:30	20	7	10	0	37	2	286	21	0	309	12	1	0	0	13	12	291	11	0	314	673
12:45	31	1	9	0	41	3	260	21	0	284	2	4	3	0	9	7	287	7	0	301	635
Total Volume	99	8	48	0	155	16	981	81	0	1078	22	10	7	0	39	40	1151	24	0	1215	2487
% App. Total	63.9	5.2	31	0		1.5	91	7.5	0		56.4	25.6	17.9	0		3.3	94.7	2	0		
PHF	.798	.286	.750	.000	.945	.571	.858	.964	.000	.872	.458	.625	.583	.000	.750	.667	.969	.545	.000	.967	.924

Peak Hour Analysis From 10:00 to 13:45 - Peak 1 of 1
 Peak Hour for Entire Intersection Begins at 12:00





MINNESOTA DEPT OF TRANSPORTATION

TRAFFIC DATA COLLECTION - METRO

File Name : TH 55 @ MEDICINE LAKE DR 2006
 Site Code : 08011629
 Start Date : 8/1/2006
 Page No : 5

Start Time	Medicine Lake Southbound					TH 55 Westbound					Medicine Lake Northbound					TH 55 Eastbound					Int. Total
	Left	Thru	Right	Peds	App. Total	Left	Thru	Right	Peds	App. Total	Left	Thru	Right	Peds	App. Total	Left	Thru	Right	Peds	App. Total	
16:30	23	0	8	0	31	1	469	60	0	530	15	4	1	0	20	20	370	3	0	393	974
16:45	20	1	6	0	27	5	492	78	0	575	5	3	3	0	11	10	400	2	0	412	1025
17:00	13	1	8	0	22	3	451	88	4	546	5	9	6	0	20	27	426	5	0	458	1046
17:15	26	7	15	0	48	6	401	99	0	506	8	10	9	0	27	12	373	2	0	387	968
Total Volume	82	9	37	0	128	15	1813	325	4	2157	33	26	19	0	78	69	1569	12	0	1650	4013
% App. Total	64.1	7	28.9	0		0.7	84.1	15.1	0.2		42.3	33.3	24.4	0		4.2	95.1	0.7	0		
PHF	.788	.321	.617	.000	.667	.625	.921	.821	.250	.938	.550	.650	.528	.000	.722	.639	.921	.600	.000	.901	.959

Peak Hour Analysis From 14:00 to 17:45 - Peak 1 of 1
 Peak Hour for Entire Intersection Begins at 16:30

