



MINNESOTA DEPT OF TRANSPORTATION

TRAFFIC DATA COLLECTION - METRO

Counted By: Ivan & Linda
 Day of the Week: Tuesday
 Location: TH 55 & Revere
 Project #: 5764

File Name : TH 55 @ REVERE LANE 2006
 Site Code : 08011819
 Start Date : 8/1/2006
 Page No : 1

Groups Printed- Unshifted

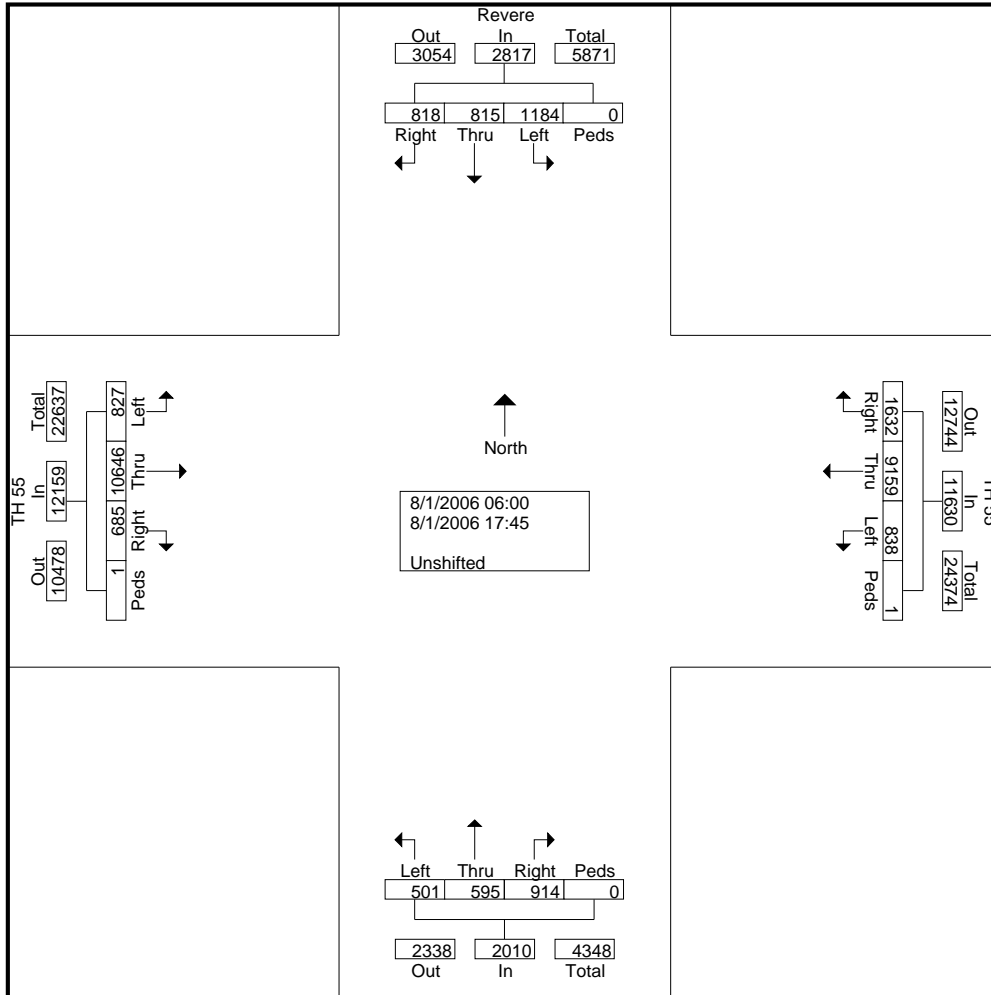
Start Time	Revere Southbound					TH 55 Westbound					Northbound					TH 55 Eastbound					Int. Total
	Left	Thru	Right	Peds	App. Total	Left	Thru	Right	Peds	App. Total	Left	Thru	Right	Peds	App. Total	Left	Thru	Right	Peds	App. Total	
06:00	6	0	0	0	6	4	116	8	0	128	5	2	7	0	14	2	176	7	0	185	333
06:15	11	3	0	0	14	4	178	12	0	194	1	4	8	0	13	4	236	15	0	255	476
06:30	4	5	4	0	13	12	185	28	0	225	4	2	22	0	28	12	333	16	0	361	627
06:45	5	12	6	0	23	7	238	44	0	289	7	2	27	0	36	11	372	35	0	418	766
Total	26	20	10	0	56	27	717	92	0	836	17	10	64	0	91	29	1117	73	0	1219	2202
07:00	22	2	8	0	32	18	192	38	0	248	8	4	22	0	34	19	456	44	0	519	833
07:15	11	24	5	0	40	13	242	41	0	296	5	4	38	0	47	17	537	39	0	593	976
07:30	30	26	12	0	68	21	292	63	0	376	10	20	35	0	65	26	529	54	0	609	1118
07:45	15	40	23	0	78	28	312	61	0	401	9	25	41	0	75	28	492	64	1	585	1139
Total	78	92	48	0	218	80	1038	203	0	1321	32	53	136	0	221	90	2014	201	1	2306	4066
08:00	19	35	24	0	78	27	310	78	0	415	11	19	42	0	72	42	478	65	0	585	1150
08:15	22	36	15	0	73	27	243	56	0	326	7	14	17	0	38	21	416	42	0	479	916
08:30	25	25	16	0	66	26	266	47	0	339	9	13	37	0	59	16	312	29	0	357	821
08:45	25	36	14	0	75	27	244	63	0	334	7	13	24	0	44	28	317	22	0	367	820
Total	91	132	69	0	292	107	1063	244	0	1414	34	59	120	0	213	107	1523	158	0	1788	3707
11:00	36	12	17	0	65	18	210	57	0	285	13	13	20	0	46	21	258	8	0	287	683
11:15	52	21	18	0	91	13	232	56	0	301	10	19	23	0	52	21	215	9	0	245	689
11:30	40	18	38	0	96	22	222	52	1	297	9	22	16	0	47	37	268	15	0	320	760
11:45	68	26	33	0	127	24	218	54	0	296	8	18	26	0	52	34	248	10	0	292	767
Total	196	77	106	0	379	77	882	219	1	1179	40	72	85	0	197	113	989	42	0	1144	2899
12:00	55	16	42	0	113	18	230	59	0	307	7	35	33	0	75	43	262	24	0	329	824
12:15	56	30	25	0	111	28	220	84	0	332	18	20	25	0	63	34	184	15	0	233	739
12:30	51	24	28	0	103	20	269	67	0	356	8	21	33	0	62	35	311	16	0	362	883
12:45	60	23	27	0	110	24	242	69	0	335	16	17	26	0	59	36	261	13	0	310	814
Total	222	93	122	0	437	90	961	279	0	1330	49	93	117	0	259	148	1018	68	0	1234	3260
15:00	37	13	15	0	65	15	284	48	0	347	13	11	21	0	45	23	271	6	0	300	757
15:15	35	16	33	0	84	27	328	46	0	401	10	11	33	0	54	32	281	10	0	323	862
15:30	32	20	25	0	77	27	317	53	0	397	26	13	31	0	70	26	332	9	0	367	911
15:45	39	16	23	0	78	24	303	39	0	366	23	28	34	0	85	25	333	19	0	377	906
Total	143	65	96	0	304	93	1232	186	0	1511	72	63	119	0	254	106	1217	44	0	1367	3436
16:00	38	24	42	0	104	28	345	36	0	409	31	25	37	0	93	23	345	6	0	374	980
16:15	26	28	44	0	98	23	371	54	0	448	36	28	29	0	93	36	322	10	0	368	1007
16:30	46	26	34	0	106	36	424	38	0	498	28	33	37	0	98	25	325	9	0	359	1061
16:45	48	38	29	0	115	53	470	49	0	572	35	24	35	0	94	38	377	14	0	429	1210
Total	158	116	149	0	423	140	1610	177	0	1927	130	110	138	0	378	122	1369	39	0	1530	4258
17:00	79	56	57	0	192	65	452	76	0	593	40	32	42	0	114	34	385	10	0	429	1328
17:15	77	61	50	0	188	54	437	65	0	556	30	36	39	0	105	31	356	17	0	404	1253
17:30	64	52	59	0	175	49	395	53	0	497	33	38	28	0	99	18	332	14	0	364	1135
17:45	50	51	52	0	153	56	372	38	0	466	24	29	26	0	79	29	326	19	0	374	1072
Total	270	220	218	0	708	224	1656	232	0	2112	127	135	135	0	397	112	1399	60	0	1571	4788
Grand Total	1184	815	818	0	2817	838	9159	1632	1	11630	501	595	914	0	2010	827	10646	685	1	12159	28616
Apprch %	42	28.9	29	0		7.2	78.8	14	0		24.9	29.6	45.5	0		6.8	87.6	5.6	0		
Total %	4.1	2.8	2.9	0	9.8	2.9	32	5.7	0	40.6	1.8	2.1	3.2	0	7	2.9	37.2	2.4	0	42.5	



MINNESOTA DEPT OF TRANSPORTATION

TRAFFIC DATA COLLECTION - METRO

File Name : TH 55 @ REVERE LANE 2006
 Site Code : 08011819
 Start Date : 8/1/2006
 Page No : 2



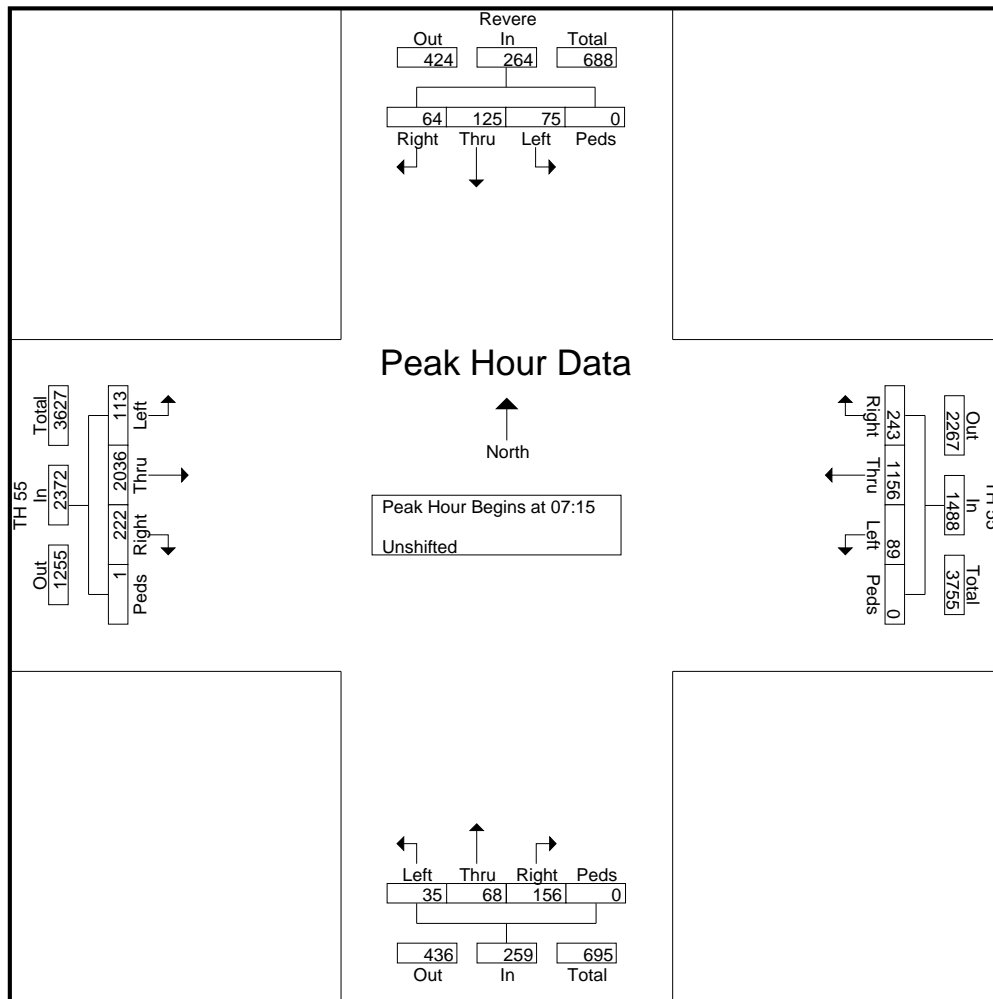


MINNESOTA DEPT OF TRANSPORTATION

TRAFFIC DATA COLLECTION - METRO

File Name : TH 55 @ REVERE LANE 2006
 Site Code : 08011819
 Start Date : 8/1/2006
 Page No : 3

Start Time	Revere Southbound					TH 55 Westbound					Northbound					TH 55 Eastbound					Int. Total
	Left	Thru	Right	Peds	App. Total	Left	Thru	Right	Peds	App. Total	Left	Thru	Right	Peds	App. Total	Left	Thru	Right	Peds	App. Total	
Peak Hour Analysis From 06:00 to 09:45 - Peak 1 of 1																					
Peak Hour for Entire Intersection Begins at 07:15																					
07:15	11	24	5	0	40	13	242	41	0	296	5	4	38	0	47	17	537	39	0	593	976
07:30	30	26	12	0	68	21	292	63	0	376	10	20	35	0	65	26	529	54	0	609	1118
07:45	15	40	23	0	78	28	312	61	0	401	9	25	41	0	75	28	492	64	1	585	1139
08:00	19	35	24	0	78	27	310	78	0	415	11	19	42	0	72	42	478	65	0	585	1150
Total Volume	75	125	64	0	264	89	1156	243	0	1488	35	68	156	0	259	113	2036	222	1	2372	4383
% App. Total	28.4	47.3	24.2	0		6	77.7	16.3	0		13.5	26.3	60.2	0		4.8	85.8	9.4	0		
PHF	.625	.781	.667	.000	.846	.795	.926	.779	.000	.896	.795	.680	.929	.000	.863	.673	.948	.854	.250	.974	.953





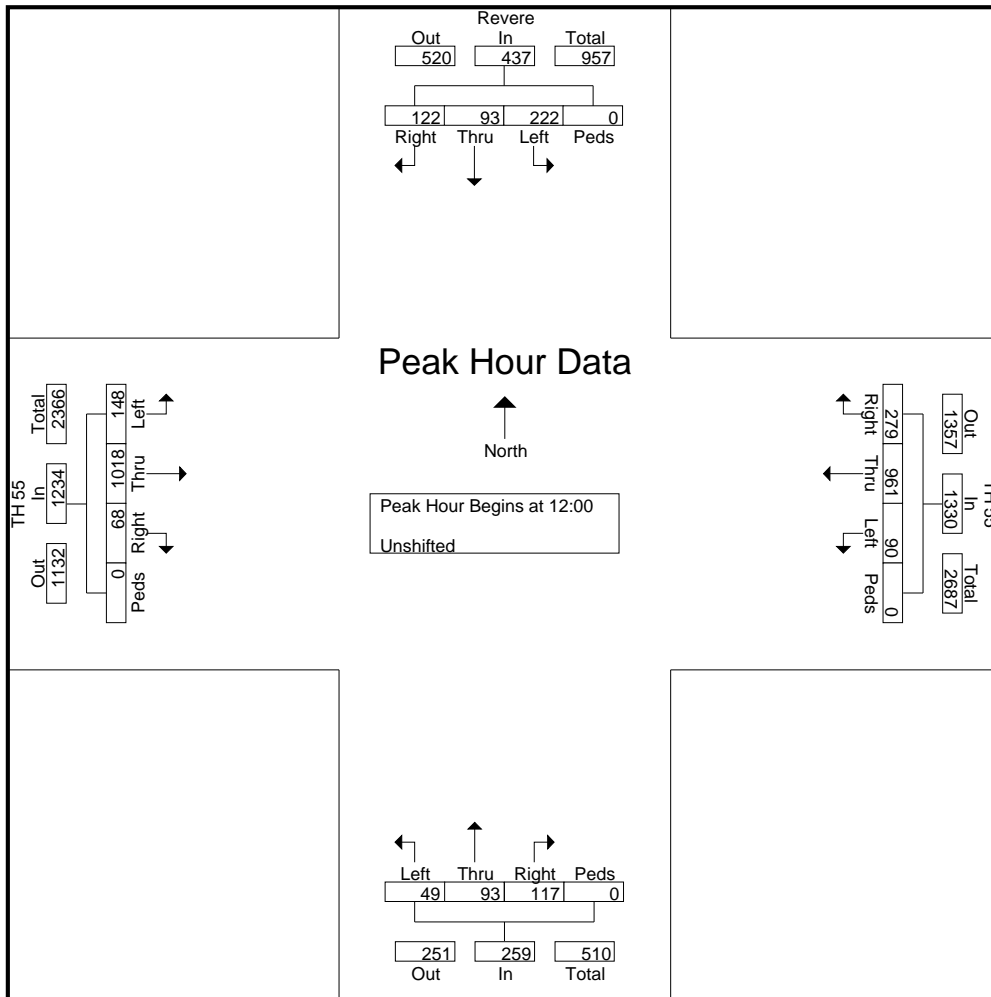
MINNESOTA DEPT OF TRANSPORTATION

TRAFFIC DATA COLLECTION - METRO

File Name : TH 55 @ REVERE LANE 2006
 Site Code : 08011819
 Start Date : 8/1/2006
 Page No : 4

Start Time	Revere Southbound					TH 55 Westbound					Northbound					TH 55 Eastbound					Int. Total
	Left	Thru	Right	Peds	App. Total	Left	Thru	Right	Peds	App. Total	Left	Thru	Right	Peds	App. Total	Left	Thru	Right	Peds	App. Total	
12:00	55	16	42	0	113	18	230	59	0	307	7	35	33	0	75	43	262	24	0	329	824
12:15	56	30	25	0	111	28	220	84	0	332	18	20	25	0	63	34	184	15	0	233	739
12:30	51	24	28	0	103	20	269	67	0	356	8	21	33	0	62	35	311	16	0	362	883
12:45	60	23	27	0	110	24	242	69	0	335	16	17	26	0	59	36	261	13	0	310	814
Total Volume	222	93	122	0	437	90	961	279	0	1330	49	93	117	0	259	148	1018	68	0	1234	3260
% App. Total	50.8	21.3	27.9	0		6.8	72.3	21	0		18.9	35.9	45.2	0		12	82.5	5.5	0		
PHF	.925	.775	.726	.000	.967	.804	.893	.830	.000	.934	.681	.664	.886	.000	.863	.860	.818	.708	.000	.852	.923

Peak Hour Analysis From 10:00 to 13:45 - Peak 1 of 1
 Peak Hour for Entire Intersection Begins at 12:00





MINNESOTA DEPT OF TRANSPORTATION

TRAFFIC DATA COLLECTION - METRO

File Name : TH 55 @ REVERE LANE 2006
 Site Code : 08011819
 Start Date : 8/1/2006
 Page No : 5

Start Time	Revere Southbound					TH 55 Westbound					Northbound					TH 55 Eastbound					Int. Total
	Left	Thru	Right	Peds	App. Total	Left	Thru	Right	Peds	App. Total	Left	Thru	Right	Peds	App. Total	Left	Thru	Right	Peds	App. Total	
16:45	48	38	29	0	115	53	470	49	0	572	35	24	35	0	94	38	377	14	0	429	1210
17:00	79	56	57	0	192	65	452	76	0	593	40	32	42	0	114	34	385	10	0	429	1328
17:15	77	61	50	0	188	54	437	65	0	556	30	36	39	0	105	31	356	17	0	404	1253
17:30	64	52	59	0	175	49	395	53	0	497	33	38	28	0	99	18	332	14	0	364	1135
Total Volume	268	207	195	0	670	221	1754	243	0	2218	138	130	144	0	412	121	1450	55	0	1626	4926
% App. Total	40	30.9	29.1	0		10	79.1	11	0		33.5	31.6	35	0		7.4	89.2	3.4	0		
PHF	.848	.848	.826	.000	.872	.850	.933	.799	.000	.935	.863	.855	.857	.000	.904	.796	.942	.809	.000	.948	.927

Peak Hour Analysis From 14:00 to 17:45 - Peak 1 of 1
 Peak Hour for Entire Intersection Begins at 16:45

