



MINNESOTA DEPT OF TRANSPORTATION

TRAFFIC DATA COLLECTION - METRO

TH-61 at 130th Street HUGO
 Ref.Pt.: 151.041
 JAMAR # 631 RE
 TURN MOVEMENT COUNT

File Name : TH-61 at 130th St HUGO 2011
 Site Code : 00000000
 Start Date : 2/3/2011
 Page No : 1

Groups Printed- Cars & Trucks

Start Time	TH-61 Southbound				130th Street Westbound				TH-61 Northbound				130th Street Eastbound				Int. Total
	Left	Thru	Right	Peds	Left	Thru	Right	Peds	Left	Thru	Right	Peds	Left	Thru	Right	Peds	
06:00	0	68	3	0	7	0	0	0	2	15	1	0	2	0	14	0	112
06:15	1	86	6	0	16	1	4	0	8	23	0	0	3	0	9	0	157
06:30	2	130	9	0	19	0	5	0	9	37	5	0	0	2	15	0	233
06:45	4	168	17	0	24	4	4	0	25	29	8	0	0	2	17	0	302
Total	7	452	35	0	66	5	13	0	44	104	14	0	5	4	55	0	804
07:00	2	190	11	0	39	5	5	0	10	31	4	0	2	1	32	0	332
07:15	3	251	12	0	19	7	3	0	11	54	9	0	0	0	27	0	396
07:30	2	187	18	0	25	6	3	0	23	64	4	0	3	1	31	0	367
07:45	0	147	24	0	18	4	3	0	21	55	0	0	0	1	22	0	295
Total	7	775	65	0	101	22	14	0	65	204	17	0	5	3	112	0	1390
08:00	8	118	6	0	16	8	6	0	6	59	4	0	10	6	24	0	271
08:15	1	82	8	0	14	2	2	0	13	52	5	0	6	1	14	0	200
08:30	1	110	2	0	16	1	6	0	9	49	3	0	0	0	20	0	217
08:45	5	115	5	0	14	2	5	0	12	48	5	0	5	1	16	0	233
Total	15	425	21	0	60	13	19	0	40	208	17	0	21	8	74	0	921
*** BREAK ***																	
14:45	4	85	5	0	15	0	2	0	13	92	12	0	4	1	13	0	246
Total	4	85	5	0	15	0	2	0	13	92	12	0	4	1	13	0	246
15:00	7	58	4	0	5	0	3	0	16	110	16	0	4	3	13	0	239
15:15	4	71	4	0	14	3	10	0	13	130	17	0	5	3	15	0	289
15:30	9	68	9	0	7	0	8	0	27	119	13	0	6	3	33	0	302
15:45	9	89	9	0	3	0	3	0	16	149	16	0	8	5	11	0	318
Total	29	286	26	0	29	3	24	0	72	508	62	0	23	14	72	0	1148
16:00	5	63	6	0	3	1	4	0	20	121	16	0	34	9	34	0	316
16:15	8	78	4	0	9	5	3	1	21	131	9	0	11	8	18	1	307
16:30	6	80	1	0	7	0	8	0	20	165	30	0	14	2	27	0	360
16:45	3	93	5	0	6	0	4	0	26	220	32	0	8	2	21	0	420
Total	22	314	16	0	25	6	19	1	87	637	87	0	67	21	100	1	1403
17:00	4	104	3	0	10	1	2	0	20	180	25	0	8	5	22	0	384
17:15	7	83	6	0	14	0	5	0	36	231	19	0	3	1	10	0	415
17:30	1	101	4	0	7	0	3	0	29	192	20	0	14	2	18	0	391
17:45	5	82	4	0	3	1	5	0	19	175	16	0	7	3	17	0	337
Total	17	370	17	0	34	2	15	0	104	778	80	0	32	11	67	0	1527
Grand Total	101	2707	185	0	330	51	106	1	425	2531	289	0	157	62	493	1	7439
Apprch %	3.4	90.4	6.2	0	67.6	10.5	21.7	0.2	13.1	78	8.9	0	22	8.7	69.1	0.1	
Total %	1.4	36.4	2.5	0	4.4	0.7	1.4	0	5.7	34	3.9	0	2.1	0.8	6.6	0	



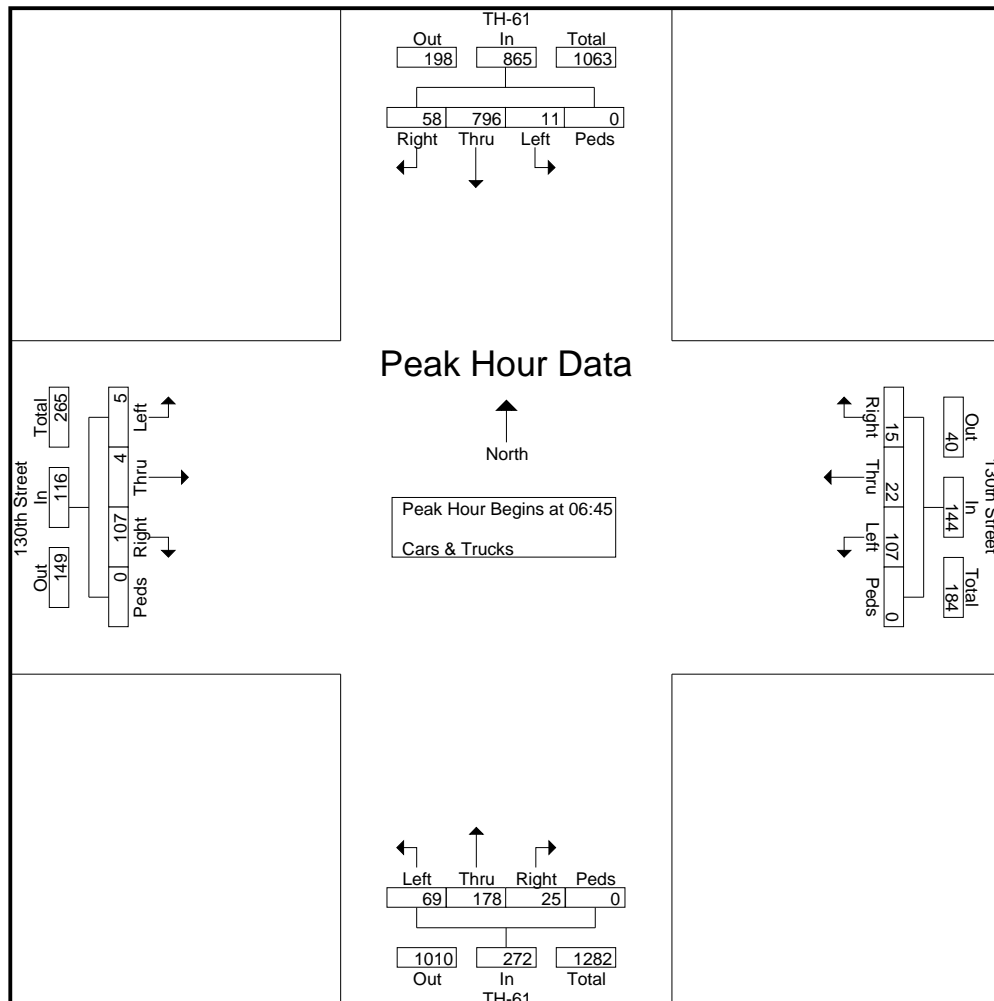
MINNESOTA DEPT OF TRANSPORTATION

TRAFFIC DATA COLLECTION - METRO

TH-61 at 130th Street HUGO
 Ref.Pt.: 151.041
 JAMAR # 631 RE
 TURN MOVEMENT COUNT

File Name : TH-61 at 130th St HUGO 2011
 Site Code : 00000000
 Start Date : 2/3/2011
 Page No : 2

Start Time	TH-61 Southbound					130th Street Westbound					TH-61 Northbound					130th Street Eastbound					Int. Total
	Left	Thru	Right	Peds	App. Total	Left	Thru	Right	Peds	App. Total	Left	Thru	Right	Peds	App. Total	Left	Thru	Right	Peds	App. Total	
Peak Hour Analysis From 06:00 to 08:45 - Peak 1 of 1																					
Peak Hour for Entire Intersection Begins at 06:45																					
06:45	4	168	17	0	189	24	4	4	0	32	25	29	8	0	62	0	2	17	0	19	302
07:00	2	190	11	0	203	39	5	5	0	49	10	31	4	0	45	2	1	32	0	35	332
07:15	3	251	12	0	266	19	7	3	0	29	11	54	9	0	74	0	0	27	0	27	396
07:30	2	187	18	0	207	25	6	3	0	34	23	64	4	0	91	3	1	31	0	35	367
Total Volume	11	796	58	0	865	107	22	15	0	144	69	178	25	0	272	5	4	107	0	116	1397
% App. Total	1.3	92	6.7	0		74.3	15.3	10.4	0		25.4	65.4	9.2	0		4.3	3.4	92.2	0		
PHF	.688	.793	.806	.000	.813	.686	.786	.750	.000	.735	.690	.695	.694	.000	.747	.417	.500	.836	.000	.829	.882





MINNESOTA DEPT OF TRANSPORTATION

TRAFFIC DATA COLLECTION - METRO

TH-61 at 130th Street HUGO
 Ref.Pt.: 151.041
 JAMAR # 631 RE
 TURN MOVEMENT COUNT

File Name : TH-61 at 130th St HUGO 2011
 Site Code : 00000000
 Start Date : 2/3/2011
 Page No : 3

Start Time	TH-61 Southbound					130th Street Westbound					TH-61 Northbound					130th Street Eastbound					Int. Total
	Left	Thru	Right	Peds	App. Total	Left	Thru	Right	Peds	App. Total	Left	Thru	Right	Peds	App. Total	Left	Thru	Right	Peds	App. Total	

Peak Hour Analysis From 15:00 to 17:45 - Peak 1 of 1
 Peak Hour for Entire Intersection Begins at 16:45

16:45	3	93	5	0	101	6	0	4	0	10	26	220	32	0	278	8	2	21	0	31	420
17:00	4	104	3	0	111	10	1	2	0	13	20	180	25	0	225	8	5	22	0	35	384
17:15	7	83	6	0	96	14	0	5	0	19	36	231	19	0	286	3	1	10	0	14	415
17:30	1	101	4	0	106	7	0	3	0	10	29	192	20	0	241	14	2	18	0	34	391
Total Volume	15	381	18	0	414	37	1	14	0	52	111	823	96	0	1030	33	10	71	0	114	1610
% App. Total	3.6	92	4.3	0		71.2	1.9	26.9	0		10.8	79.9	9.3	0		28.9	8.8	62.3	0		
PHF	.536	.916	.750	.000	.932	.661	.250	.700	.000	.684	.771	.891	.750	.000	.900	.589	.500	.807	.000	.814	.958

