



# MINNESOTA DEPT OF TRANSPORTATION

## TRAFFIC DATA COLLECTION - METRO

TH-61 at 147th Street HUGO  
 Ref.Pt.: 152.833  
 JAMAR #xxx RE/CAH  
 TURN MOVEMENT COUNT

File Name : TH-61 at 147h St HUGO 2011  
 Site Code : 00000000  
 Start Date : 2/2/2011  
 Page No : 1

### Groups Printed- Cars & Trucks

Start Time	TH-61 / Forest Blvd Southbound				147th Street Westbound				TH-61 / Forest Blvd Northbound				147th Street Eastbound				Int. Total
	Left	Thru	Right	Peds	Left	Thru	Right	Peds	Left	Thru	Right	Peds	Left	Thru	Right	Peds	
06:00	1	72	1	0	43	0	3	0	0	11	2	0	0	0	0	0	133
06:15	1	78	1	0	41	0	1	0	0	19	2	0	1	0	0	0	144
06:30	1	94	0	0	33	1	6	0	0	27	4	0	1	0	1	0	168
06:45	3	112	2	0	55	1	1	0	2	22	5	0	0	1	1	0	205
Total	6	356	4	0	172	2	11	0	2	79	13	0	2	1	2	0	650
07:00	3	126	1	0	61	2	6	0	1	27	6	0	0	0	2	0	235
07:15	4	116	3	0	54	1	5	0	0	31	10	0	0	0	2	0	226
07:30	3	130	5	0	48	1	2	0	0	34	11	0	1	0	1	0	236
07:45	5	123	5	0	42	1	3	0	0	48	15	0	1	0	6	0	249
Total	15	495	14	0	205	5	16	0	1	140	42	0	2	0	11	0	946
08:00	3	79	2	0	24	0	4	0	2	41	11	0	1	0	1	0	168
08:15	4	81	0	0	32	0	3	0	0	60	7	0	0	0	0	0	187
08:30	5	83	1	0	31	0	5	0	1	53	10	0	0	0	0	0	189
08:45	3	72	1	0	31	0	10	0	0	46	15	0	2	0	0	0	180
Total	15	315	4	0	118	0	22	0	3	200	43	0	3	0	1	0	724
*** BREAK ***																	
15:00	5	71	2	0	15	2	2	0	5	96	19	0	2	2	2	0	223
15:15	3	78	3	0	15	0	4	0	4	118	34	0	2	0	3	0	264
15:30	3	103	2	3	16	1	6	0	3	112	32	0	1	2	1	0	285
15:45	3	88	2	1	21	0	3	0	7	138	42	0	0	1	4	0	310
Total	14	340	9	4	67	3	15	0	19	464	127	0	5	5	10	0	1082
16:00	4	85	4	3	15	1	11	0	3	119	44	0	3	1	3	0	296
16:15	7	76	3	4	27	1	9	0	2	153	50	2	1	0	3	0	338
16:30	8	75	3	3	27	1	9	0	0	134	33	0	8	2	1	0	304
16:45	1	78	6	2	15	0	7	0	8	155	53	0	1	0	3	0	329
Total	20	314	16	12	84	3	36	0	13	561	180	2	13	3	10	0	1267
17:00	2	76	4	1	16	0	10	0	5	159	49	0	3	2	5	0	332
17:15	6	86	1	1	20	1	8	0	4	150	46	0	2	1	4	0	330
17:30	5	64	2	2	24	1	4	0	4	143	45	0	2	0	3	0	299
17:45	5	53	1	0	17	3	7	0	4	138	49	0	4	3	0	0	284
Total	18	279	8	4	77	5	29	0	17	590	189	0	11	6	12	0	1245
Grand Total	88	2099	55	20	723	18	129	0	55	2034	594	2	36	15	46	0	5914
Apprch %	3.9	92.8	2.4	0.9	83.1	2.1	14.8	0	2	75.8	22.1	0.1	37.1	15.5	47.4	0	
Total %	1.5	35.5	0.9	0.3	12.2	0.3	2.2	0	0.9	34.4	10	0	0.6	0.3	0.8	0	



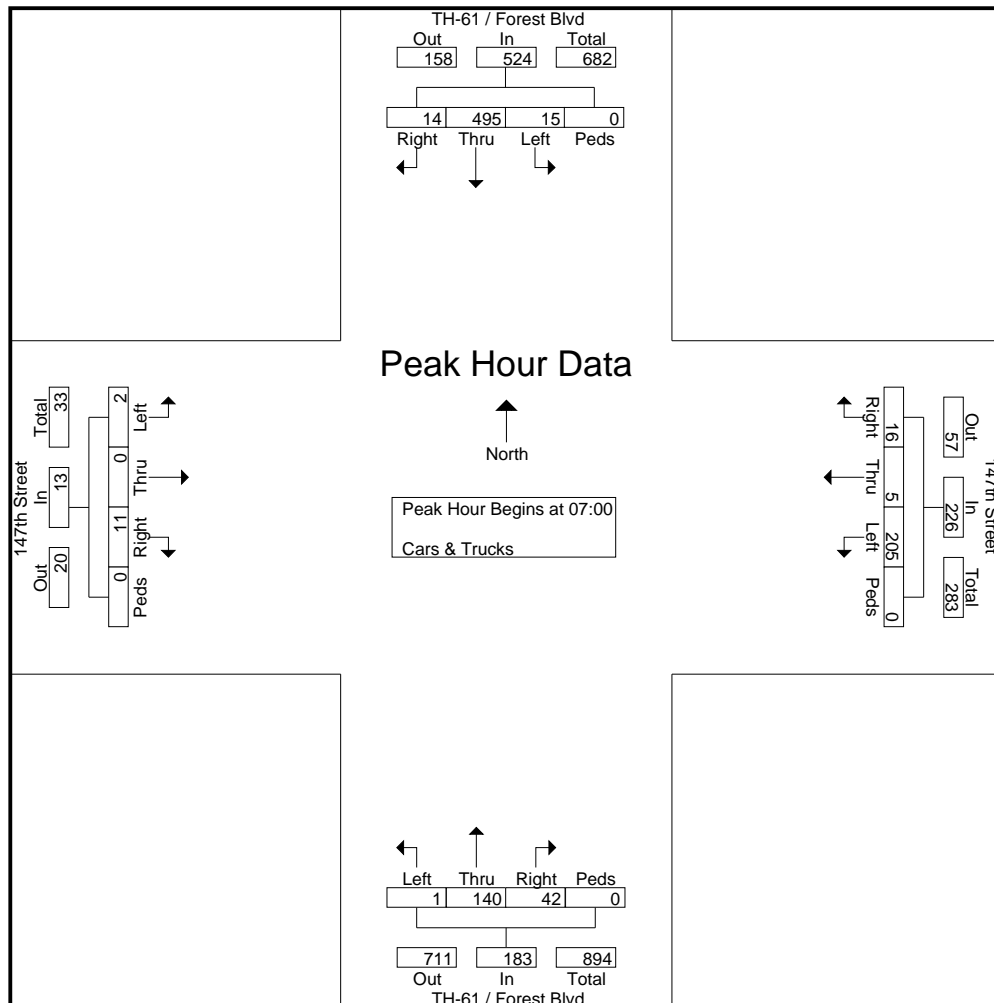
# MINNESOTA DEPT OF TRANSPORTATION

## TRAFFIC DATA COLLECTION - METRO

TH-61 at 147th Street HUGO  
 Ref.Pt.: 152.833  
 JAMAR #xxx RE/CAH  
 TURN MOVEMENT COUNT

File Name : TH-61 at 147h St HUGO 2011  
 Site Code : 00000000  
 Start Date : 2/2/2011  
 Page No : 2

Start Time	TH-61 / Forest Blvd Southbound					147th Street Westbound					TH-61 / Forest Blvd Northbound					147th Street Eastbound					Int. Total
	Left	Thru	Right	Peds	App. Total	Left	Thru	Right	Peds	App. Total	Left	Thru	Right	Peds	App. Total	Left	Thru	Right	Peds	App. Total	
Peak Hour Analysis From 06:00 to 08:45 - Peak 1 of 1																					
Peak Hour for Entire Intersection Begins at 07:00																					
07:00	3	126	1	0	130	61	2	6	0	69	1	27	6	0	34	0	0	2	0	2	235
07:15	4	116	3	0	123	54	1	5	0	60	0	31	10	0	41	0	0	2	0	2	226
07:30	3	130	5	0	138	48	1	2	0	51	0	34	11	0	45	1	0	1	0	2	236
07:45	5	123	5	0	133	42	1	3	0	46	0	48	15	0	63	1	0	6	0	7	249
Total Volume	15	495	14	0	524	205	5	16	0	226	1	140	42	0	183	2	0	11	0	13	946
% App. Total	2.9	94.5	2.7	0		90.7	2.2	7.1	0		0.5	76.5	23	0		15.4	0	84.6	0		
PHF	.750	.952	.700	.000	.949	.840	.625	.667	.000	.819	.250	.729	.700	.000	.726	.500	.000	.458	.000	.464	.950





# MINNESOTA DEPT OF TRANSPORTATION

## TRAFFIC DATA COLLECTION - METRO

TH-61 at 147th Street HUGO  
 Ref.Pt.: 152.833  
 JAMAR #xxx RE/CAH  
 TURN MOVEMENT COUNT

File Name : TH-61 at 147h St HUGO 2011  
 Site Code : 00000000  
 Start Date : 2/2/2011  
 Page No : 3

Start Time	TH-61 / Forest Blvd Southbound					147th Street Westbound					TH-61 / Forest Blvd Northbound					147th Street Eastbound					Int. Total
	Left	Thru	Right	Peds	App. Total	Left	Thru	Right	Peds	App. Total	Left	Thru	Right	Peds	App. Total	Left	Thru	Right	Peds	App. Total	

Peak Hour Analysis From 15:00 to 17:45 - Peak 1 of 1  
 Peak Hour for Entire Intersection Begins at 16:15

16:15	7	76	3	4	90	27	1	9	0	37	2	153	50	2	207	1	0	3	0	4	338
16:30	8	75	3	3	89	27	1	9	0	37	0	134	33	0	167	8	2	1	0	11	304
16:45	1	78	6	2	87	15	0	7	0	22	8	155	53	0	216	1	0	3	0	4	329
17:00	2	76	4	1	83	16	0	10	0	26	5	159	49	0	213	3	2	5	0	10	332
Total Volume	18	305	16	10	349	85	2	35	0	122	15	601	185	2	803	13	4	12	0	29	1303
% App. Total	5.2	87.4	4.6	2.9		69.7	1.6	28.7	0		1.9	74.8	23	0.2		44.8	13.8	41.4	0		
PHF	.563	.978	.667	.625	.969	.787	.500	.875	.000	.824	.469	.945	.873	.250	.929	.406	.500	.600	.000	.659	.964

